

# ARMPA

The background features technical drawings of an excavator and a magnetic crane. The excavator drawing is on the left, and the magnetic crane drawing is on the right. The crane is shown lifting a rectangular block. The entire scene is set against a dark grey background with a faint, repeating pattern of the ARMPA logo.

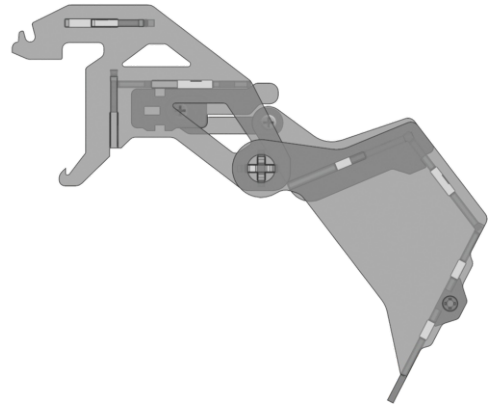
Excavator

Magnetic Crane

# Instruction

V2.0

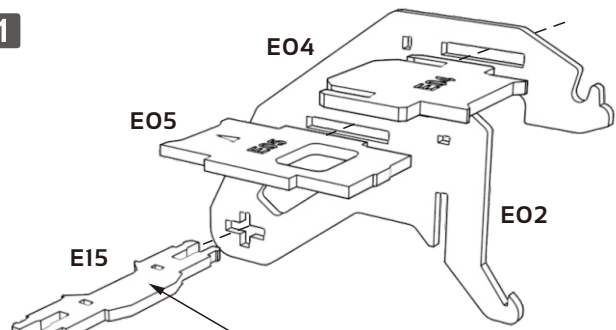
# Assembly of Excavator Bucket



**Instructional videos**

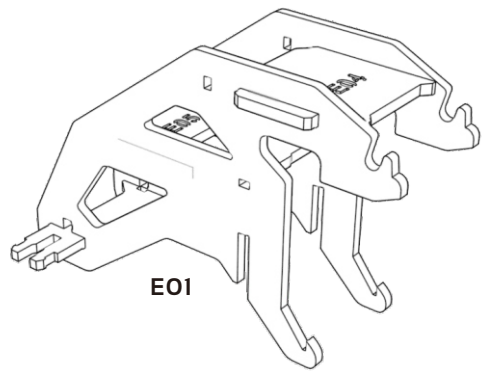
<https://www.harda.net/products/mongda-arpal>

**1**

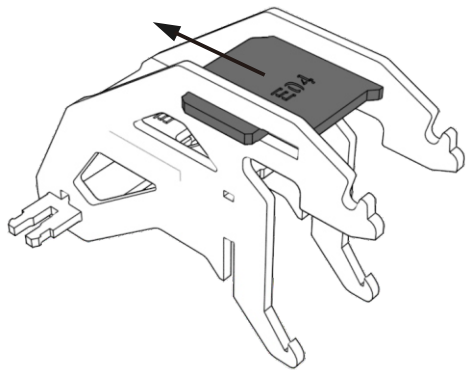


Note direction of the E15 parts

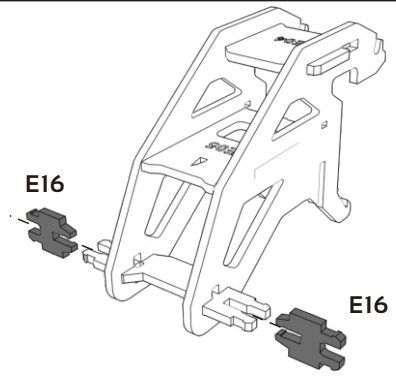
**2**



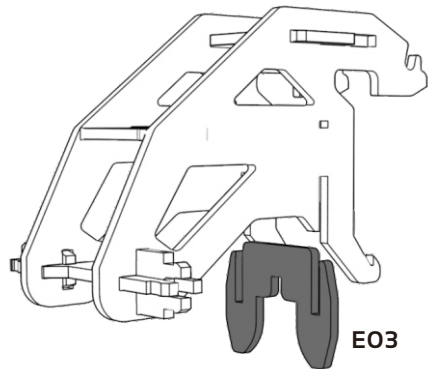
**3**



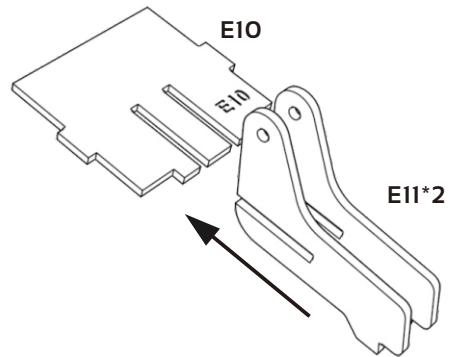
**4**



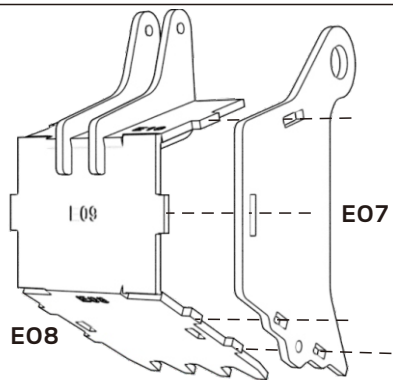
5



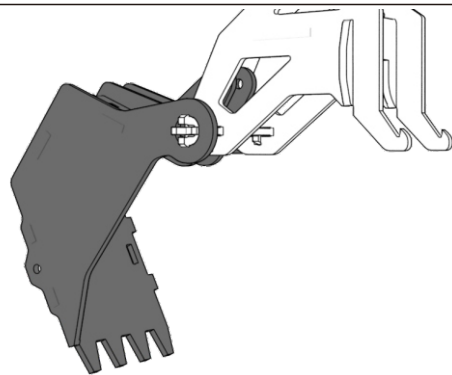
6



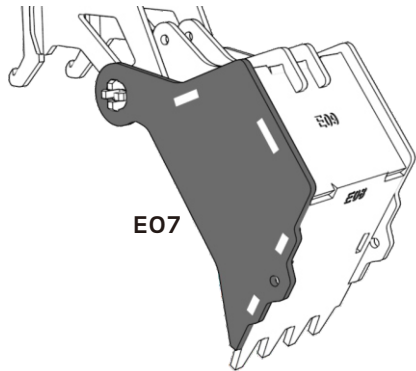
7



8

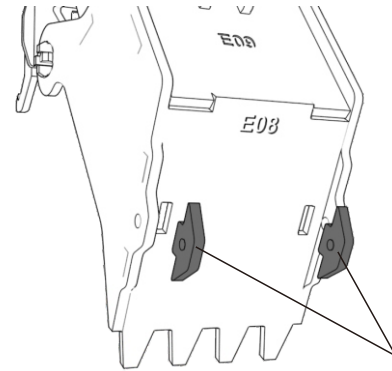


9



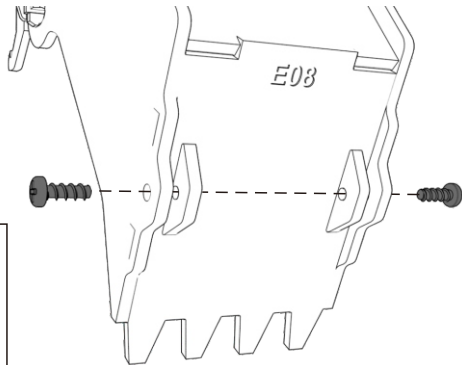
E07

10



E06\*2

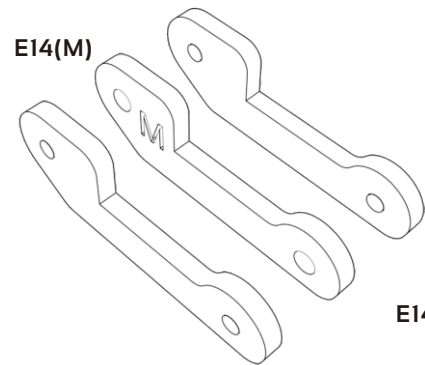
11



1:1

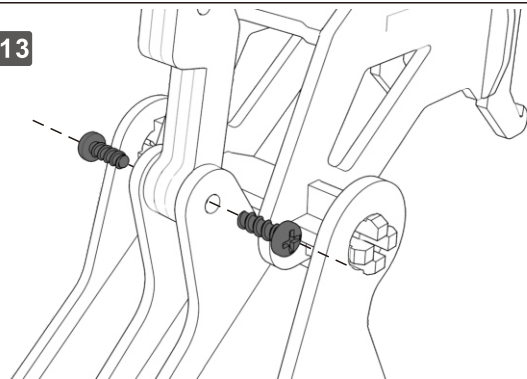


12

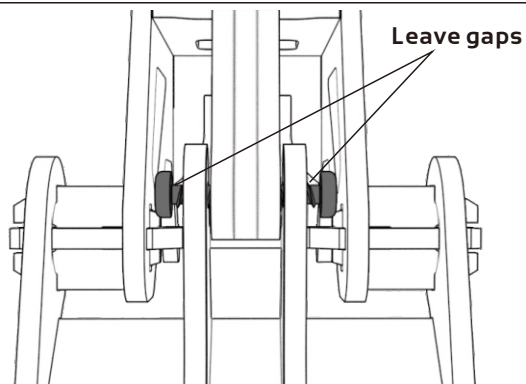


E14\*3

13

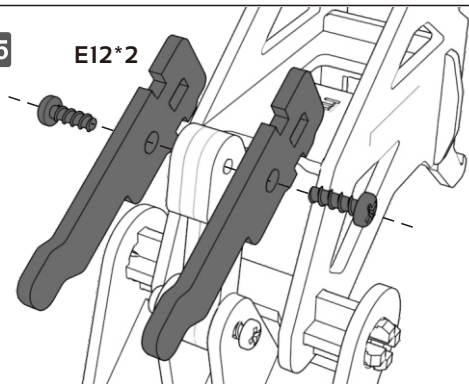


14

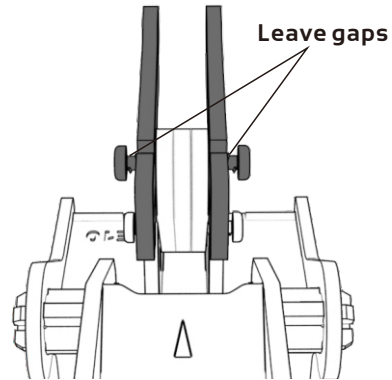


15

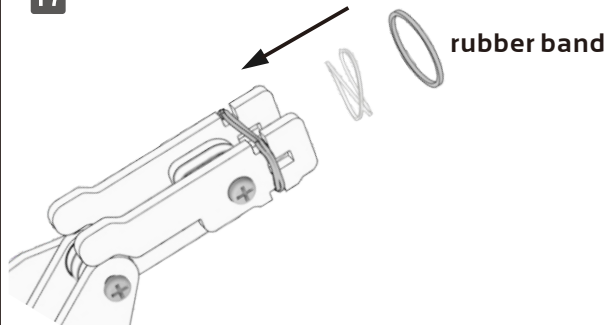
E12\*2



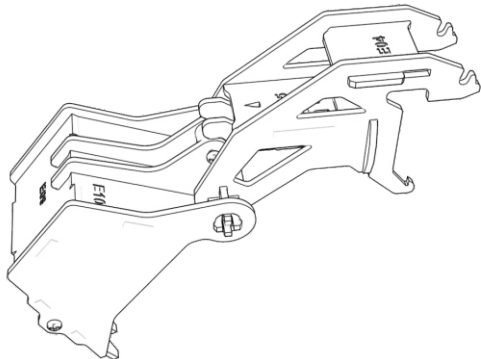
16



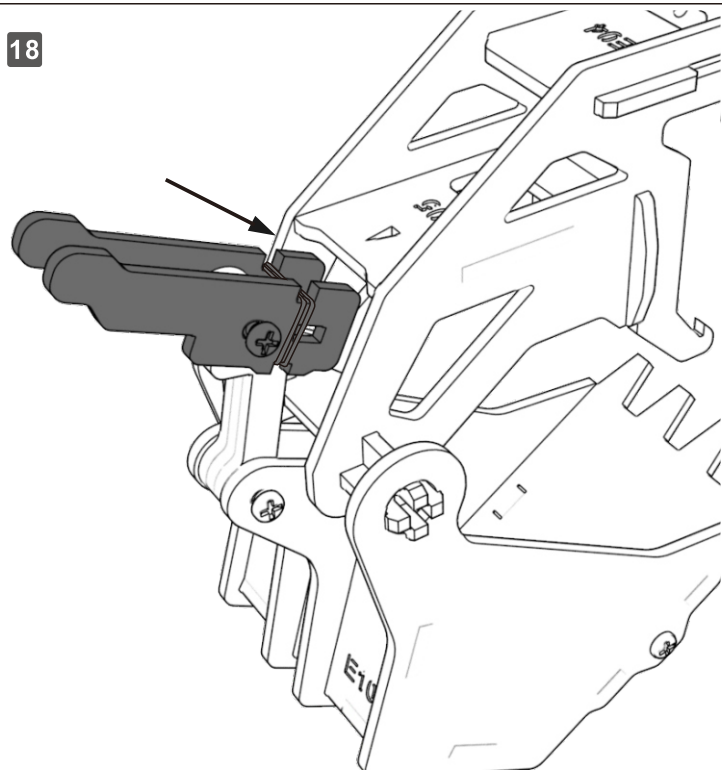
17



19

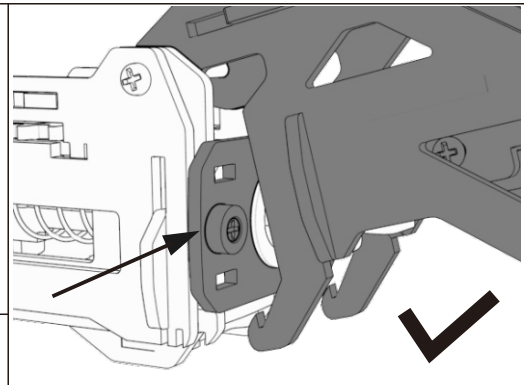
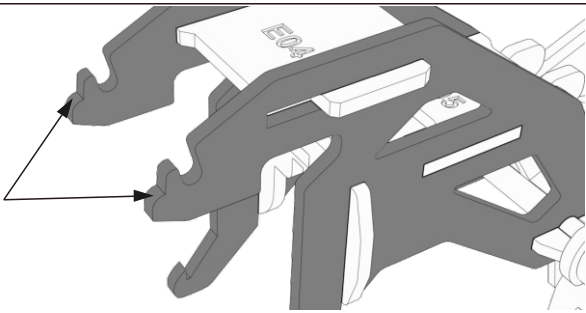


18



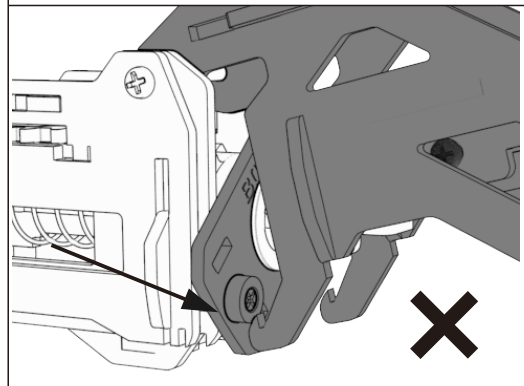
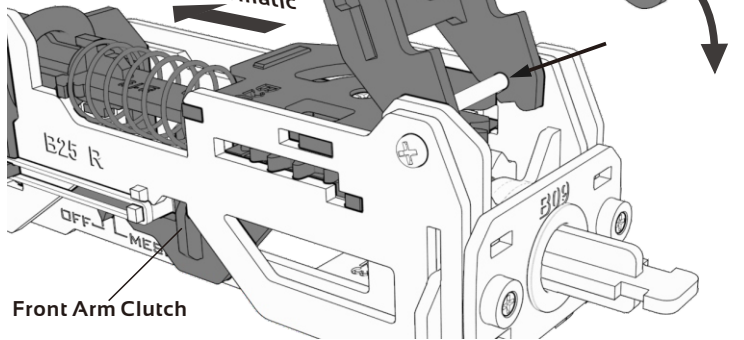
20

Apply wax



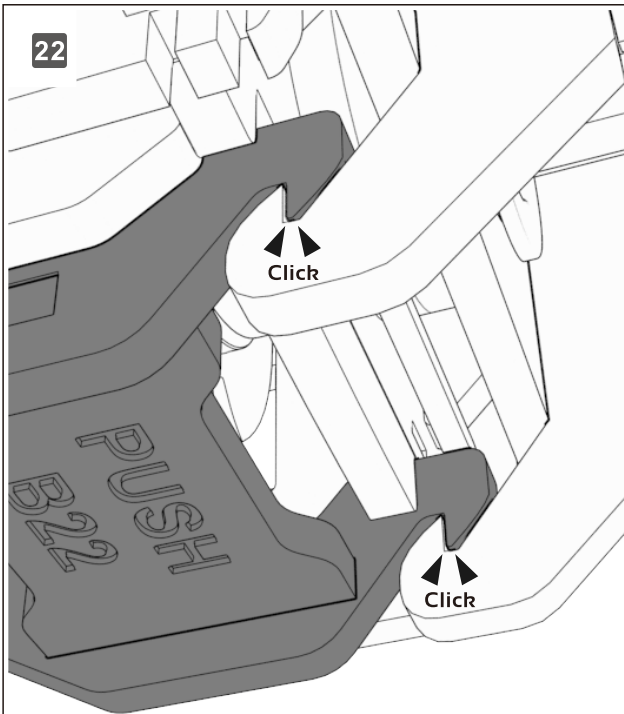
21

Automatic

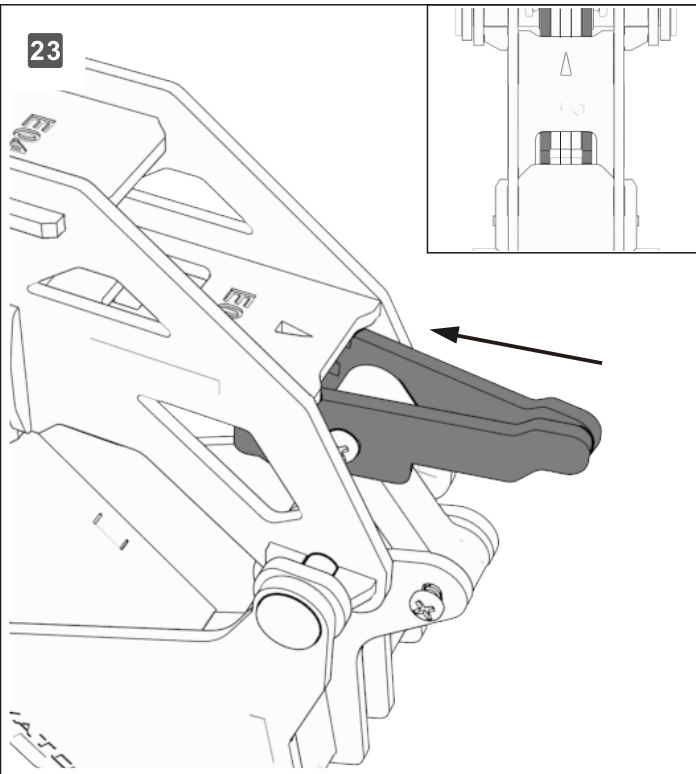




22



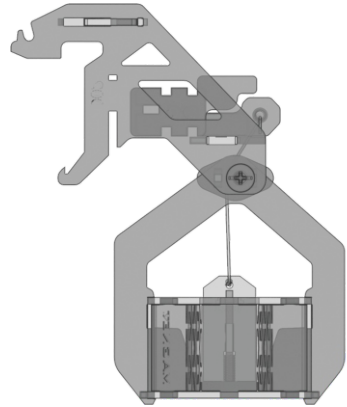
23

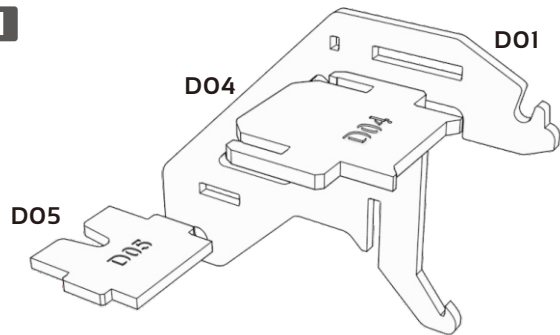
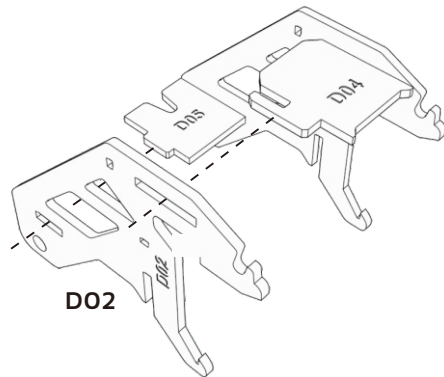
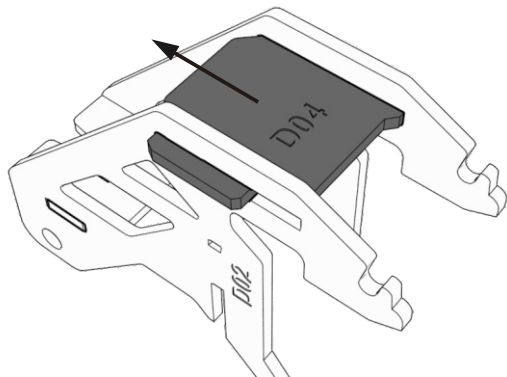
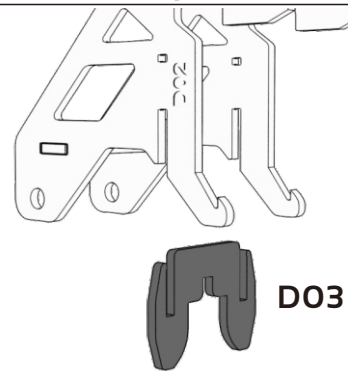


# Assembly of Magnetic Lifting Silo

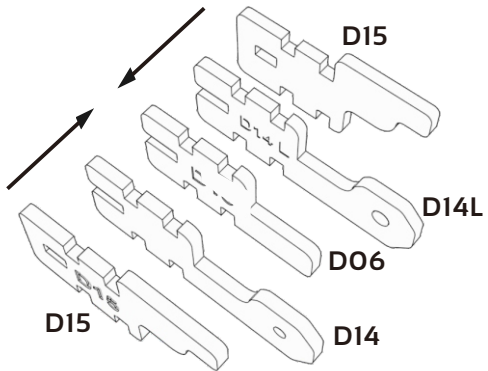
## Instructional videos

<https://www.harda.net/products/mongda-arpal>

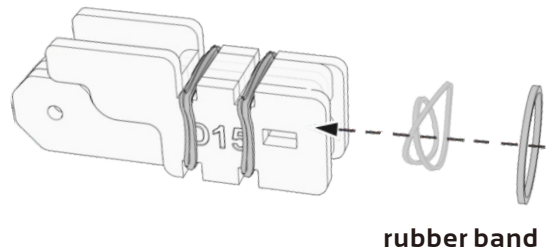


**1****2****3****4**

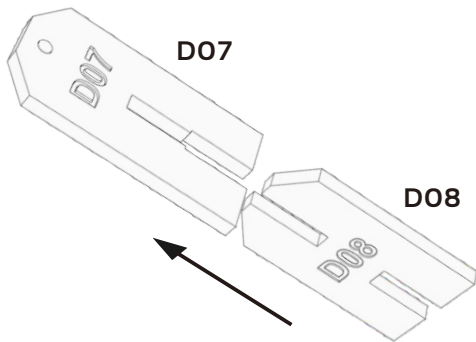
5



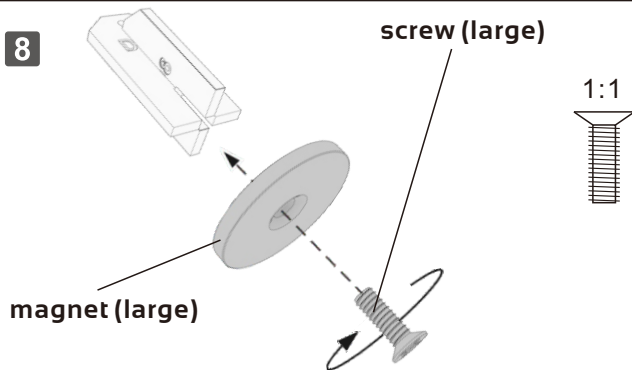
6



7

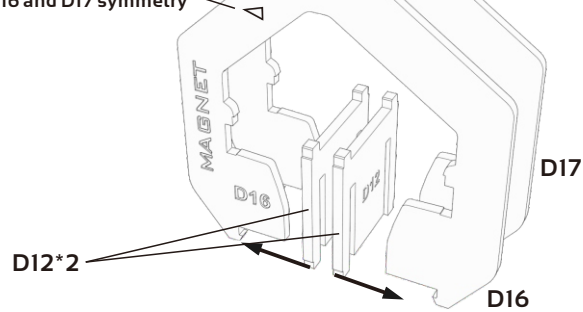


8

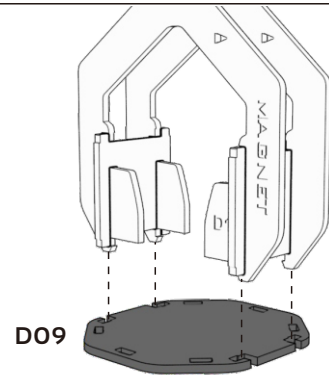


9

Note direction of the arrow  
D16 and D17 symmetry

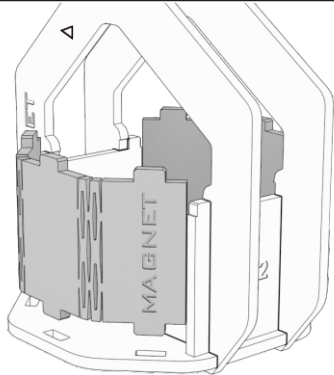


10

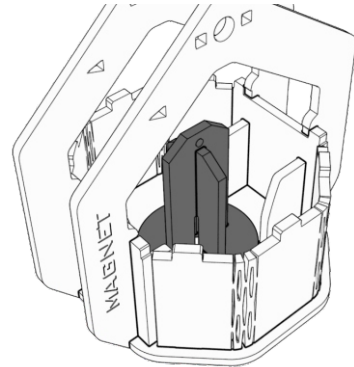


11

D11\*2

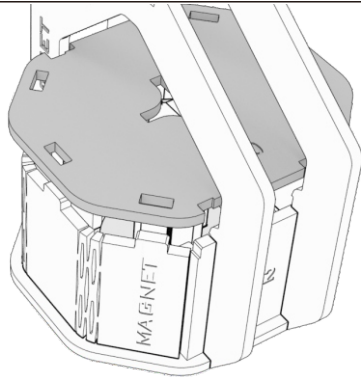


12



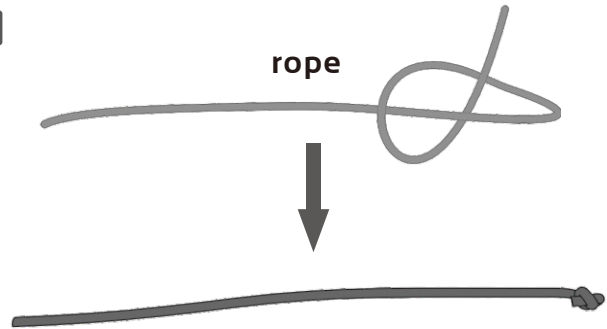
13

D10

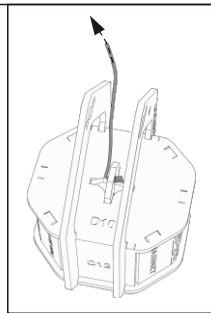
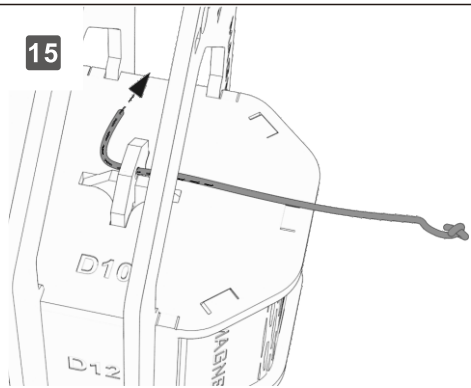


14

rope

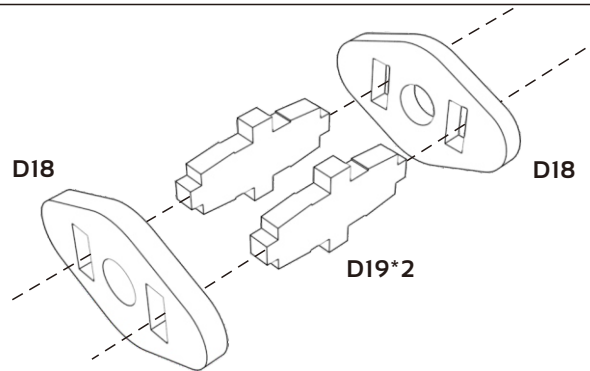


15



16

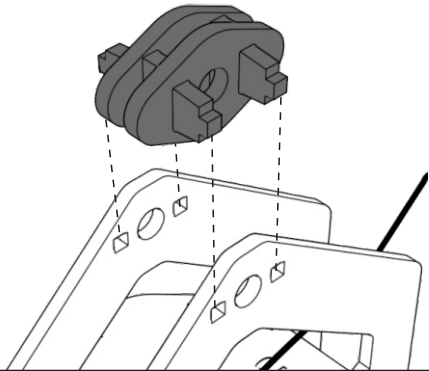
D18



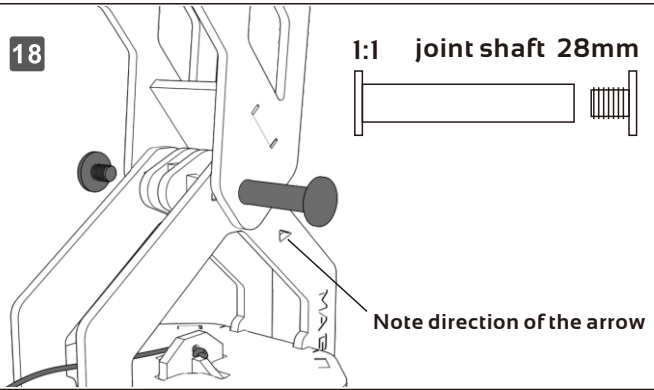
D18

D19\*2

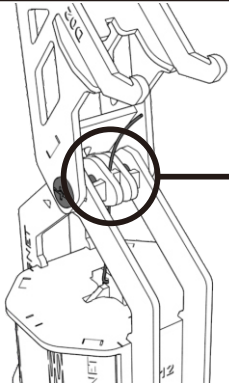
17



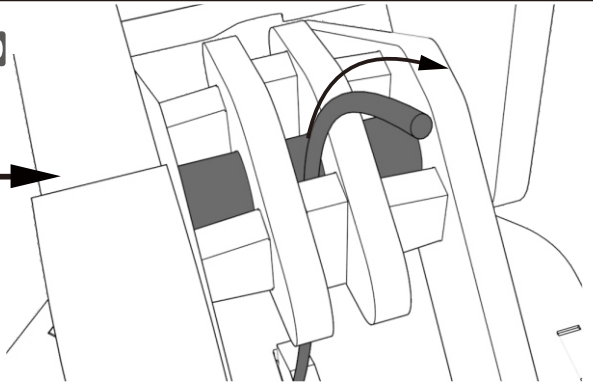
18

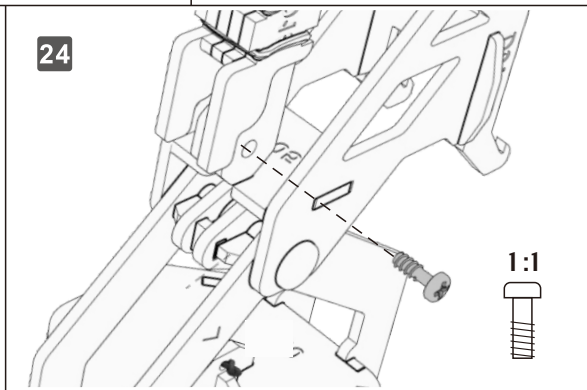
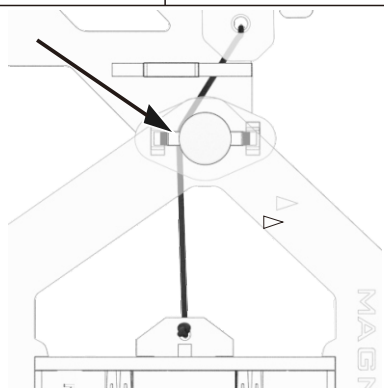
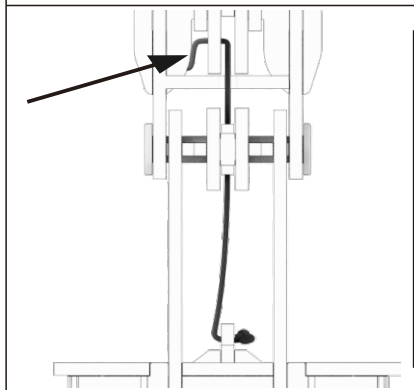
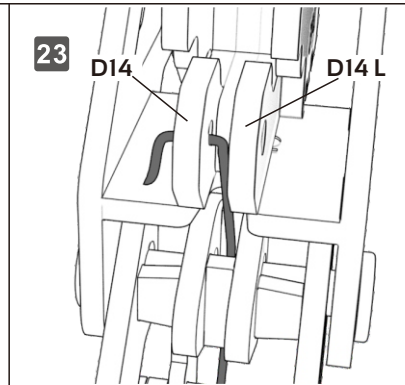
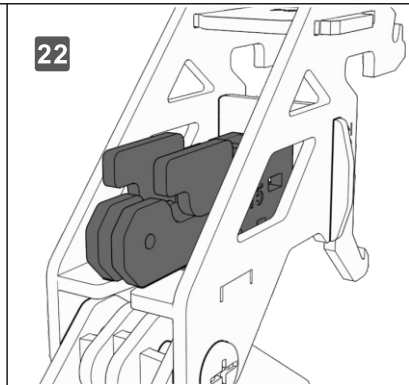
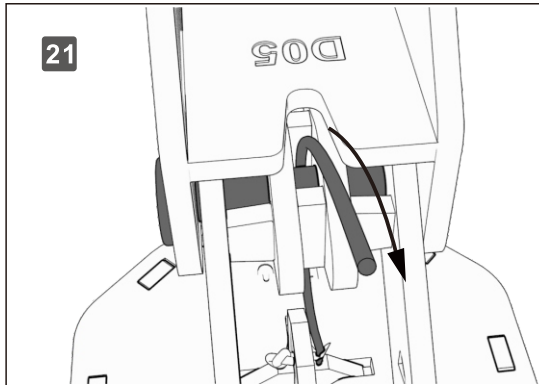


19

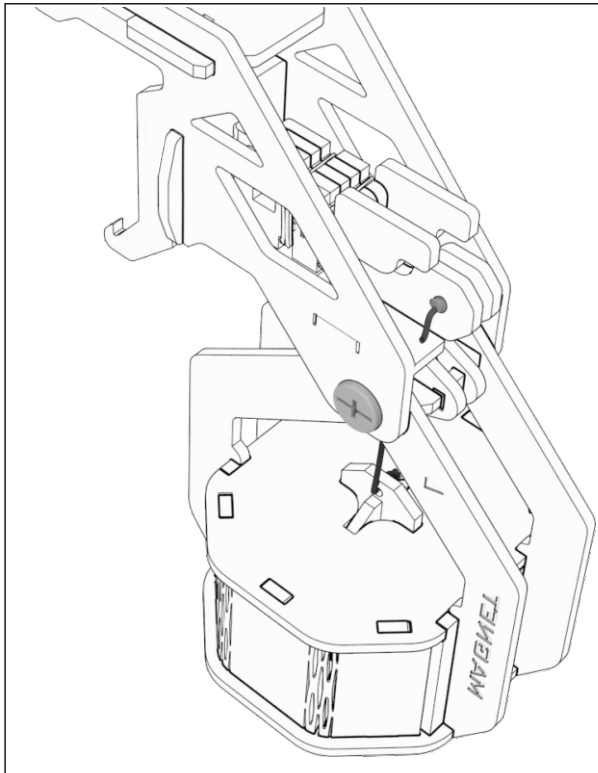


20



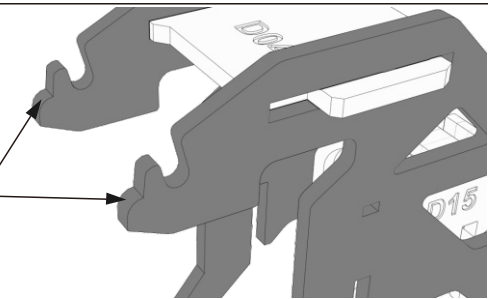






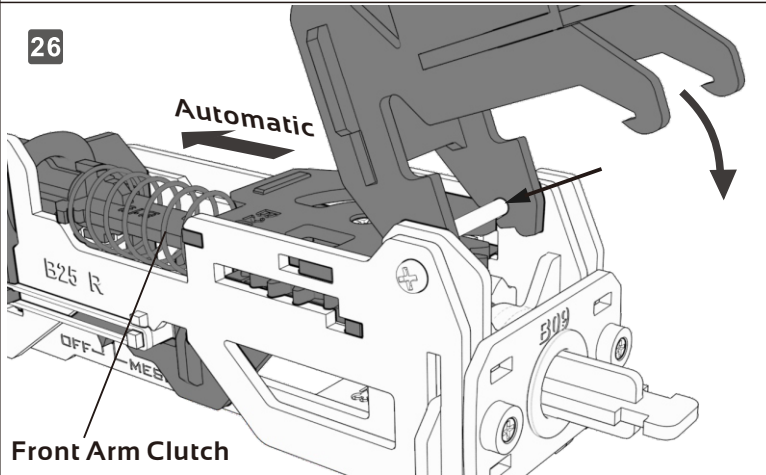
25

Apply wax

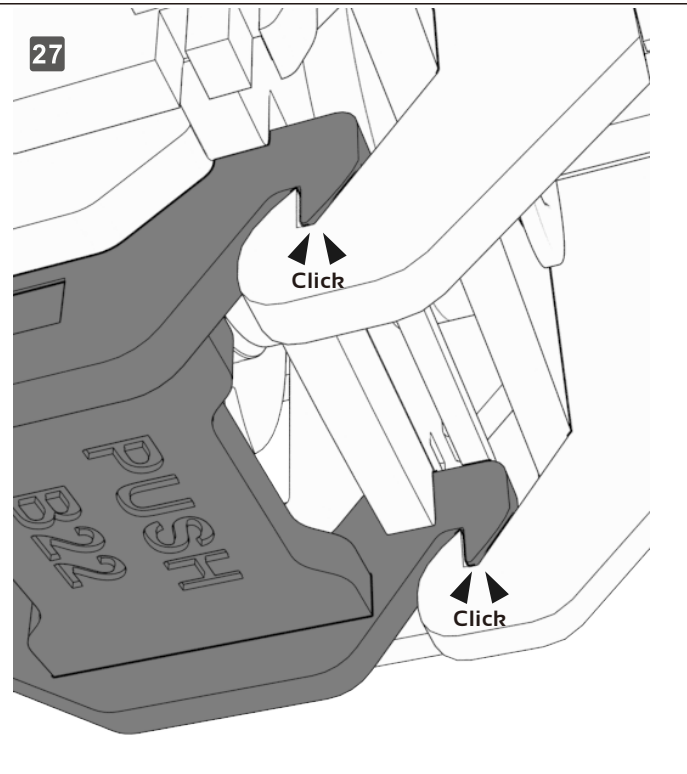
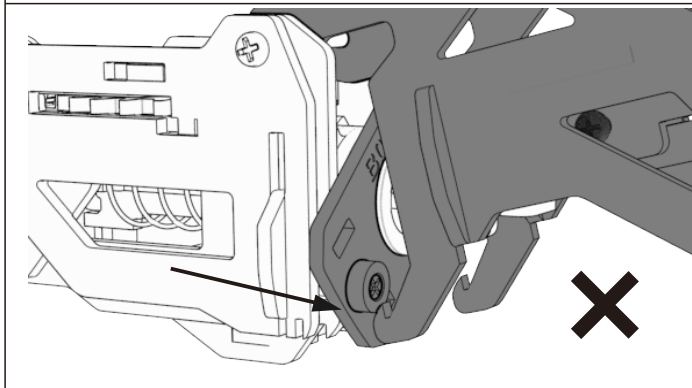
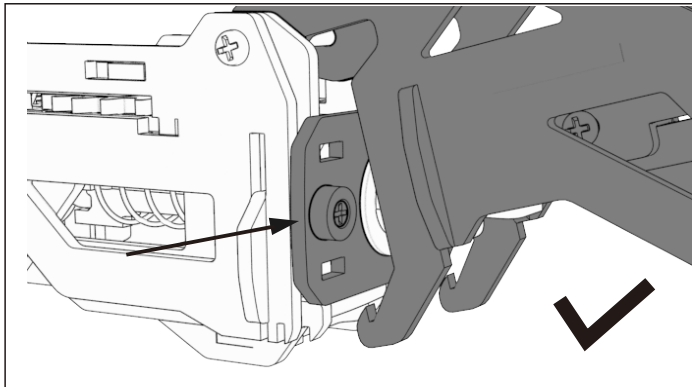


26

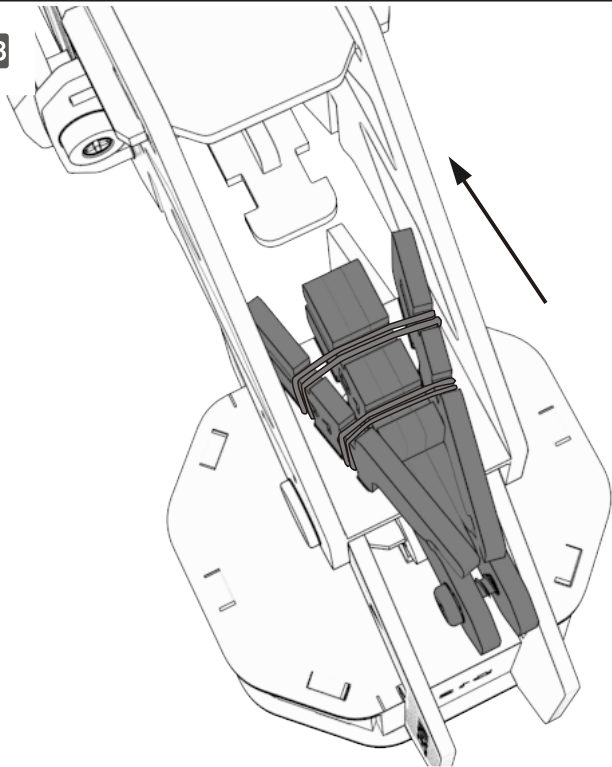
Automatic



16

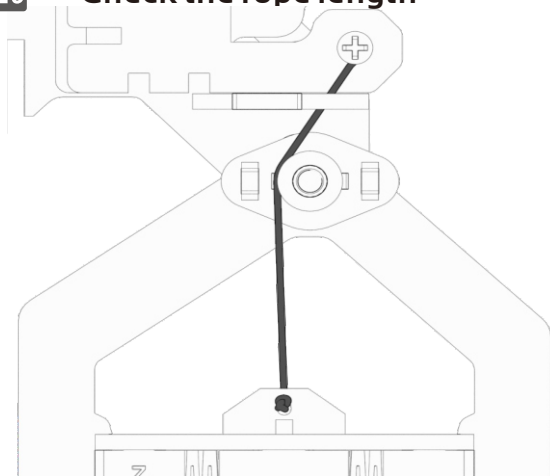


28



29

**Check the rope length**



**Magnetic lifting silo fails to engage**

➤ please loosen the rope

**Magnetic lifting silo fails to disengage**

➤ please tighten the rope

MongDa Reeo