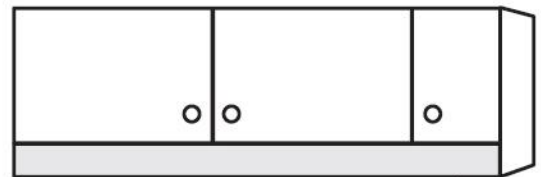
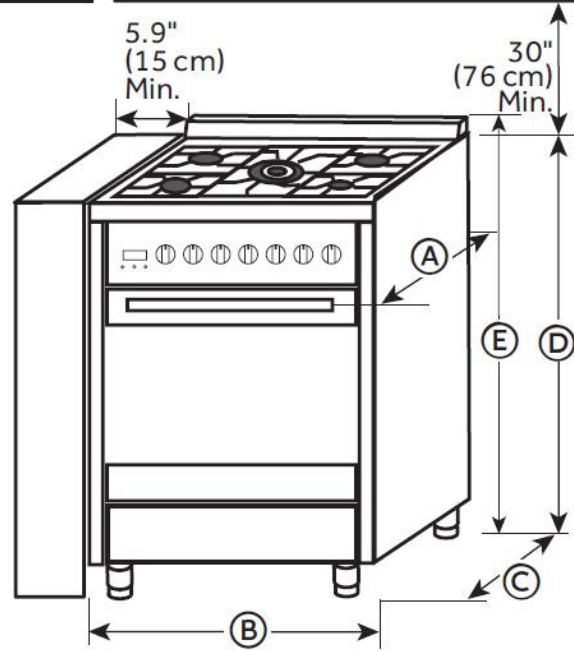


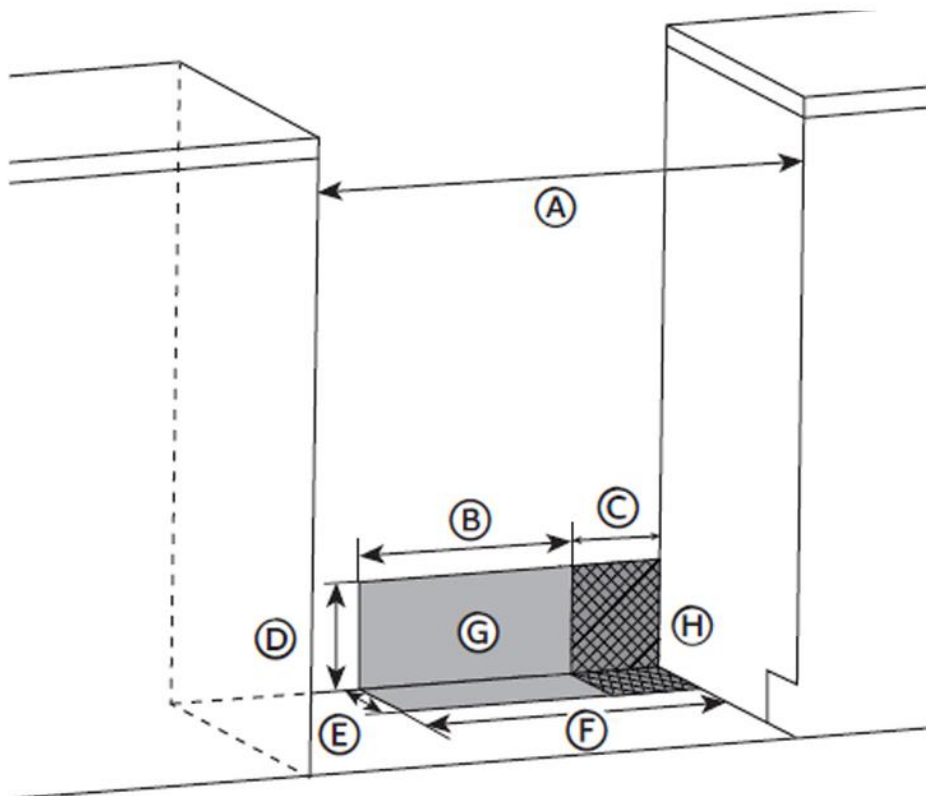
Model Size	A. Depth w/ Handle	B. Width	C. Depth
36"	25 $\frac{1}{5}$ " (64.28 cm)	35 $\frac{2}{5}$ " (90 cm)	23 $\frac{3}{5}$ " (60 cm)



D. Height to top of Cooktop	E. Height Overall
36" (91 cm)	37 $\frac{3}{5}$ " (95.5 cm)



**NOTE:** Range can be raised approximately 1" (2.5 cm) by adjusting the leveling legs. Front of door and drawer may extend farther forward depending on styling.



- (A) 36" Model - 35 $\frac{2}{5}$ " (90 cm)
- (B) 11 $\frac{1}{2}$ " (29.2 cm)
- (C) 6" (15.2 cm)
- (D) 7 $\frac{1}{4}$ " (18.4 cm)
- (E) 3" (7.6 cm)
- (F) 17 $\frac{1}{2}$ " (44 cm)
- (G) Recommended Location for Electrical Outlet
- (H) Recommended Location for Gas Supply Connection