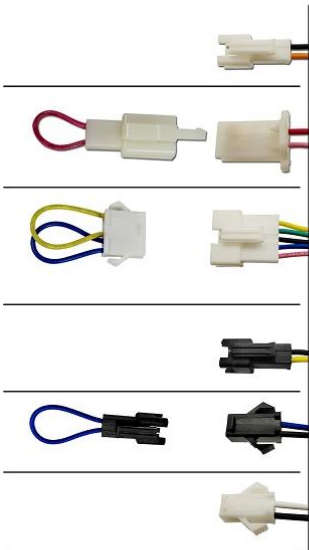
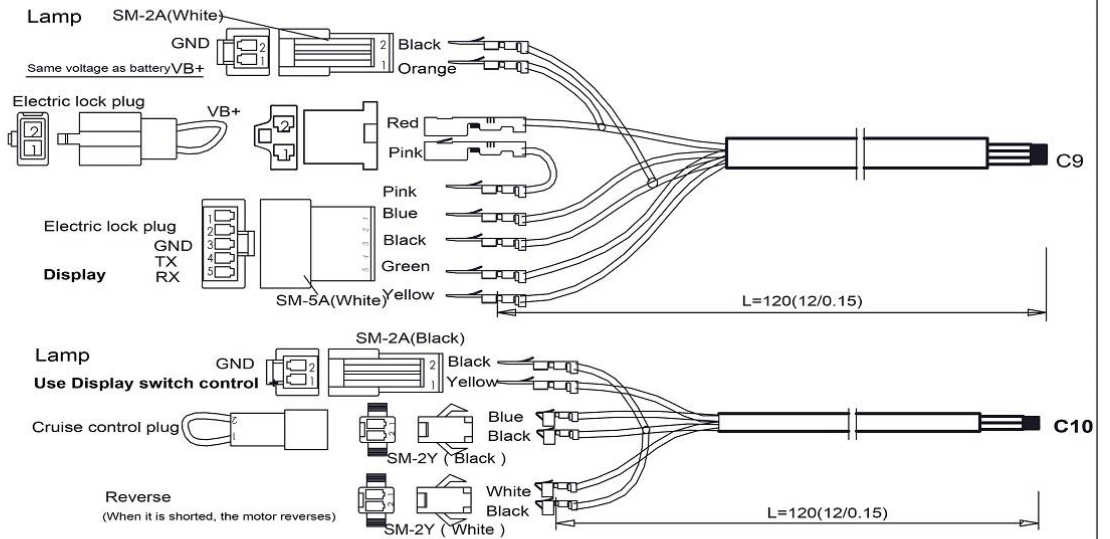
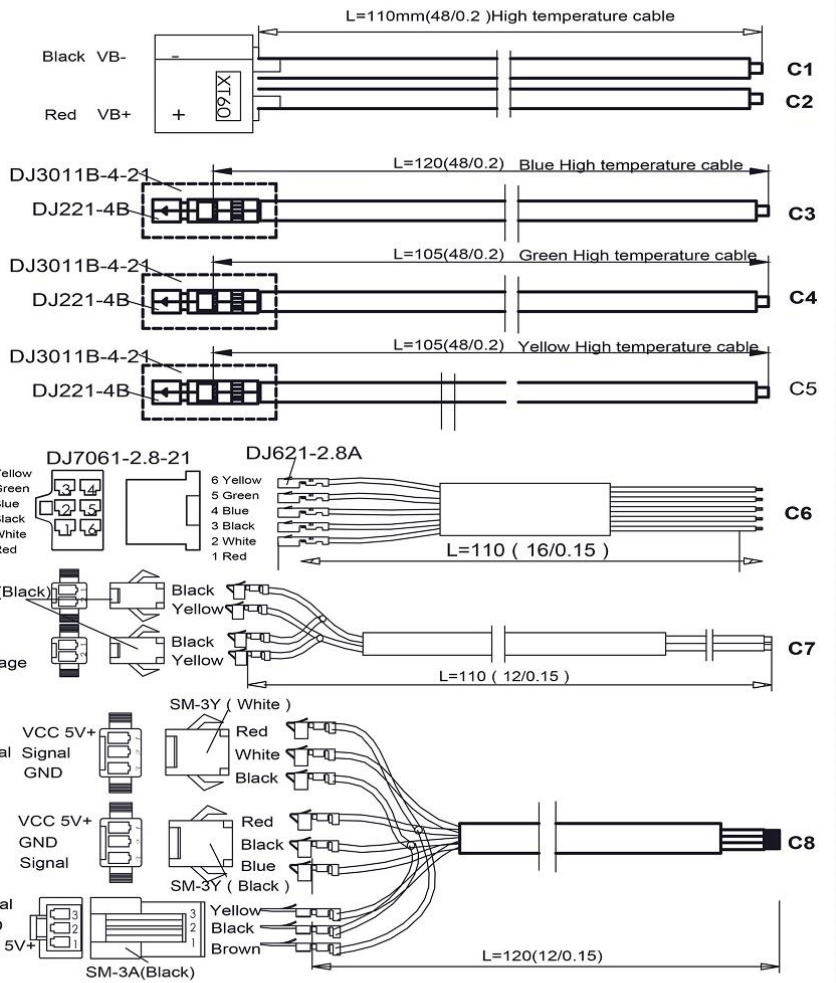
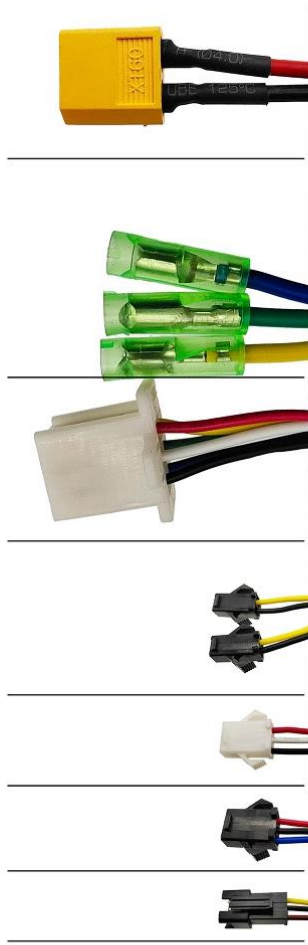


Controller Connection Manual (6 MOSFET)



1. Power Supply/Power Input Connection, XT60 Male Plug: C1, C2

Controller Side	Power Supply Cable Side
------------------------	--------------------------------

XT60 Male (Yellow)	XT60 Female
Positive (Red)	Positive (Red)
Negative (Black)	Negative (Black)

2. Motor Cable Connection (3-Phase + 5-hall sensor): C3, C4, C5, C6

(1). 3-Phase: 3 pcs of Female Bullet Connectors (C3,C4,C5)

Controller Side	Motor Side
------------------------	-------------------

Bullet Connectors (Female)	Bullet Connectors (Male)
Blue	Blue
Green	Green
Yellow	Yellow

(2). 5-hall sensor: DJ7061-2.8-21 Female Plugs (White), C6

Controller Side	Motor Side
------------------------	-------------------

DJ7061-2.8-21 Female (White)	DJ7061-2.8-21 Male
Red	Red
White	If your motor has internal speed detector hall sensor, please plug this, otherwise just keep it empty.
Black	Black
Yellow	Yellow
Green	Green
Blue	Blue

If you want motor rotate as reverse direction with original speed, then just exchange two wires of phase and hall sensor wires:

Phase Wire: exchange Yellow and Blue

Hall Sensor Wire: exchange Yellow and Green

3. Brake Levers Connection: 2 x SM-2Y Female Plugs (Black), C7

Controller Side	Brake Side
------------------------	-------------------

2x SM-2Y Female (Black)	2x SM-2A Male
Black	
Yellow	

4. Speed Sensor Connection: SM-3Y Female Plug (White), C8-1

Controller Side	Speed sensor Side
------------------------	--------------------------

SM-3Y Female (White)	SM-3A Male
Red	Positive
White	Signal
Black	Negative

5. Throttle Connection: SM-3Y Female Plug (Black), C8-2

Controller Side	Throttle Side
------------------------	----------------------

SM-3Y Female (Black)	SM-3A Male
----------------------	------------

Red	Positive
Black	Negative
Blue(Signal)	Signal

6. PAS Connection: SM-3A Male Plug (Black), C8-3

Controller Side	PAS Side
SM-3A Male (Black)	SM-3Y Female
Brown	Positive
Black	Negative
Yellow (Signal)	Signal

7. Lamp Connection: SM-2A Male Plug (White), C9-1: same voltage output as battery, you can connect switch to control your light, can take 2A current, 100W light.

Controller Side	Head Light Switch Side
SM-2A Male (White)	SM-2Y Female
Orange	Your switch/head light positive wire
Black	Your head light negative wire

8. Electric Lock Connection: 2.8B-2 Female Plug (White), C9-2

Controller Side	Switch Side
2.8B-2 Female (White)	2.8B-2 Male
Red	In
Pink	Out

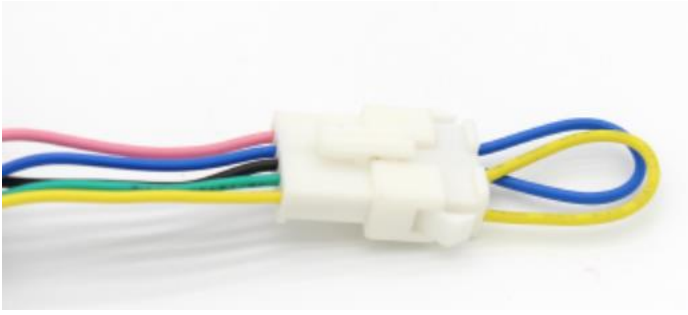
If you don't have electric lock switch, please just use jumper plug to short circuit as follow photo, otherwise will have no power.



9. LCD Control Panel Connection: SM-5A Male Plug (White), C9-3

Controller Side	LCD Side
SM-5A Male (White)	SM-5Y Female (White)
Pink	Red
Blue	Blue
Black	Black
Green	Green
Yellow	Yellow

If you don't want to use LCD, please just plug the jumper connector as follow photo (connect pink and blue, black and yellow):



10. Lamp Connection: SM-2A Male Plug (**Black**), C10-1

Controller Side	Head Light Side
SM-2A Male (Black)	SM-2Y Female
Yellow	Your head light positive wire
Black	Your head light negative wire

With this Black SM-2A male plug, lamp will be controlled by LCD (long press “up” key), 24V/36V/48V output (according to battery you use), max current 100mA, max power 5W. Otherwise will be burned. If you need big power lamp, please use C9-1 plug.

11. Cruise Connection: SM-2Y Female Plug (Black), C10-2

Controller Side	Connector Side
SM-2Y Female (Black)	SM-2A Male
Black	Blue
Blue	Blue

- (1). If you plug jumper connector, cruise function will be activated automatically after you keep a constant speed 8 seconds.
- (2). If you don't plug jumper connector:
 - (2-1). If you don't use LCD Display, will have no cruise function
 - (2-2). if you connect LCD Display, you can turn on / turn off cruise function by C7 setting (C7=0 turn off cruise, C7=1 turn on cruise)



12. Reverse Function: SM-2Y Female Plug (White), C10-3

Controller Side	Switch Side
SM-2Y Female (White)	SM-2A Male
Black	one wire of your switch (doesn't matter which one)
White	another wire of your switch (doesn't matter which one)

You can connect a switch to control it.