



Fitzroy UGR<19 Deep cone design LED downlight

A premium deep recessed downlight for architectural lighting in residential or hospitality settings. High CRI > 90 to reflect colours perfectly and a UGR < 19 to ensure low glare to create the perfect mood lighting. Available in 2700K, 3000K and 4000K.

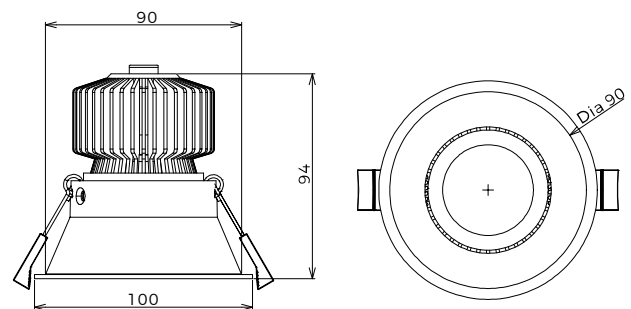


Specifications

Wattage:	13W
Beam Angle:	36°
Dimensions:	D100xH94mm cutout D90mm
Driver:	External Triac dimming driver
Power Factor:	>0.9
Input Voltage:	240V 50/60Hz
Electrical Classification:	Class II
IP Rating:	IP40 front only
IC Rating:	IC-4
Mounting:	Recessed
Material:	Aluminum body, PC reflector
Lead Type:	1m cable with flex & plug
Colour:	Powder coated white finish
UGR:	<19
Warranty:	5 years residential 3 years commercial



Dimensions



LED Information

LED Chip Type:	CITIZEN COB LED chips
CCT:	2700K/3000K/4000K
Lumen 10W:	1050/1200/1230lm
Efficiency	>85 lm/W
CRI Rating:	>90
SCDM:	<3
Life Span:	50,000Hrs

Model Comparison

Model No.	Power (W)	CCT (K)	Lumen (lm)	Fitting Colour
FR-100-13W-927-DIM-WH	13	2700	1050	White
FR-100-13W-930-DIM-WH		3000	1200	
FR-100-13W-940-DIM-WH		4000	1230	