



Daintree LED Downlight with PIR sensor and Tri-color selection

The Daintree PIR sensor downlight is activated by movement of body heat, suited for residential and commercial applications for security and safety. This luminaire reduces the need to turn on the light switch. Ideal in bathrooms, stairwells, entrance foyers, dressing rooms, hallways & garages.

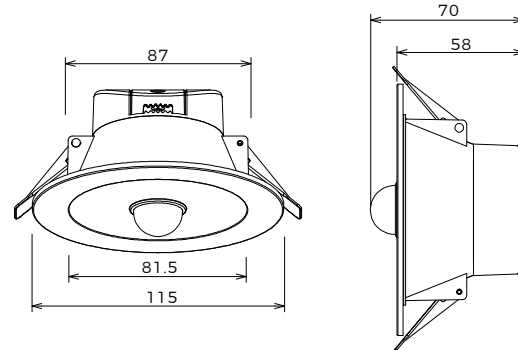


Specifications

Wattage:	10W
Beam Angle:	90°
Dimensions:	D115xH70mm, cutout 90mm
Driver:	Internal LED driver, non-dimmable
Power Factor:	>0.9
Input Voltage:	240V 50/60Hz
Electrical Classification:	Class II
IP Rating:	IP54 for cover
IC Rating:	IC-4
Mounting:	Recessed
Material:	Plastic coated aluminum heat sink, PC opal diffuser
Lead Type:	1m cable with flex & plug
Colour:	Powder coated white finish
Warranty:	5 years residential 3 years commercial



Dimensions



LED Information

LED Chip Type:	SMD LED chips
CCT:	3000K/4000K/5700K
Lumen 10W:	830/980/870 lm
Efficiency	>98 lm/W
CRI Rating:	>80
Life Span:	50,000Hrs

PIR Sensor Controller

Induction Distance:	≥5.0M / 25° (front)
Induction Angle:	<120°
Delay Time:	30S±5S
CDS ON/OFF Lux:	8-20Lux

Model Comparison

Model No.	Power (W)	CCT (K)	Lumen (lm)	Fitting Colour
DT-115 -10W-TC-PIR-WH	10	3000	830	White
		4000	980	
		5700	870	