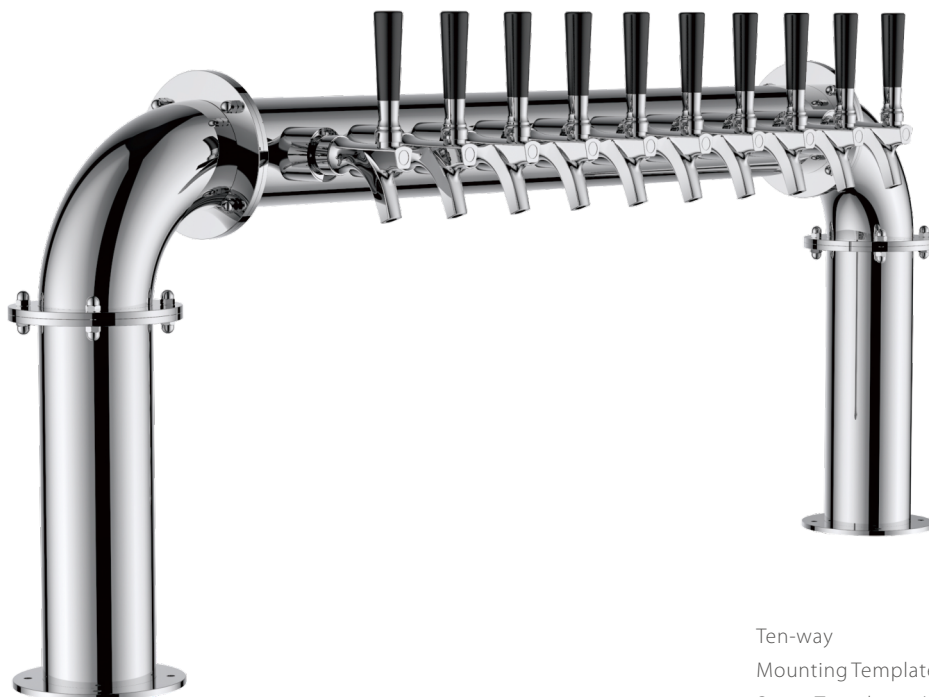


## BEER TOWERS

# U TOWER

The "U Tower" Professionally crafted with a 304 Stainless Steel, but not just on the outside. We also utilize a 304 Stainless Steel Tube for the circulation of your beverages. This ensures that your beverage is of quality with each and every pour; leaving you with an untainted beverage.



Ten-way  
Mounting Template: 2"  
Screw Template: 1/4"  
Screw Pitch Diameter: 4 7/32

**1046100-00**

**SPECIFICATIONS**

Part No.	Body Material	Surface	Faucets	Thread	Tube	Dispense System	LED Lights Option
1034610-20	Brass	Polished	10	G5/8	304 S.S	Glycol Cooling	Not Included

**PACKING INFORMATION**

N.W Unit (kg) (lbs)	Pcs/Ctn	Box Dimension	G.W Box (kg) (lbs)
12.50 27.50	1	49 1/4" Lx27 1/2" Wx7 1/16" H	14.00 30.80

**DIMENSIONS:**

