



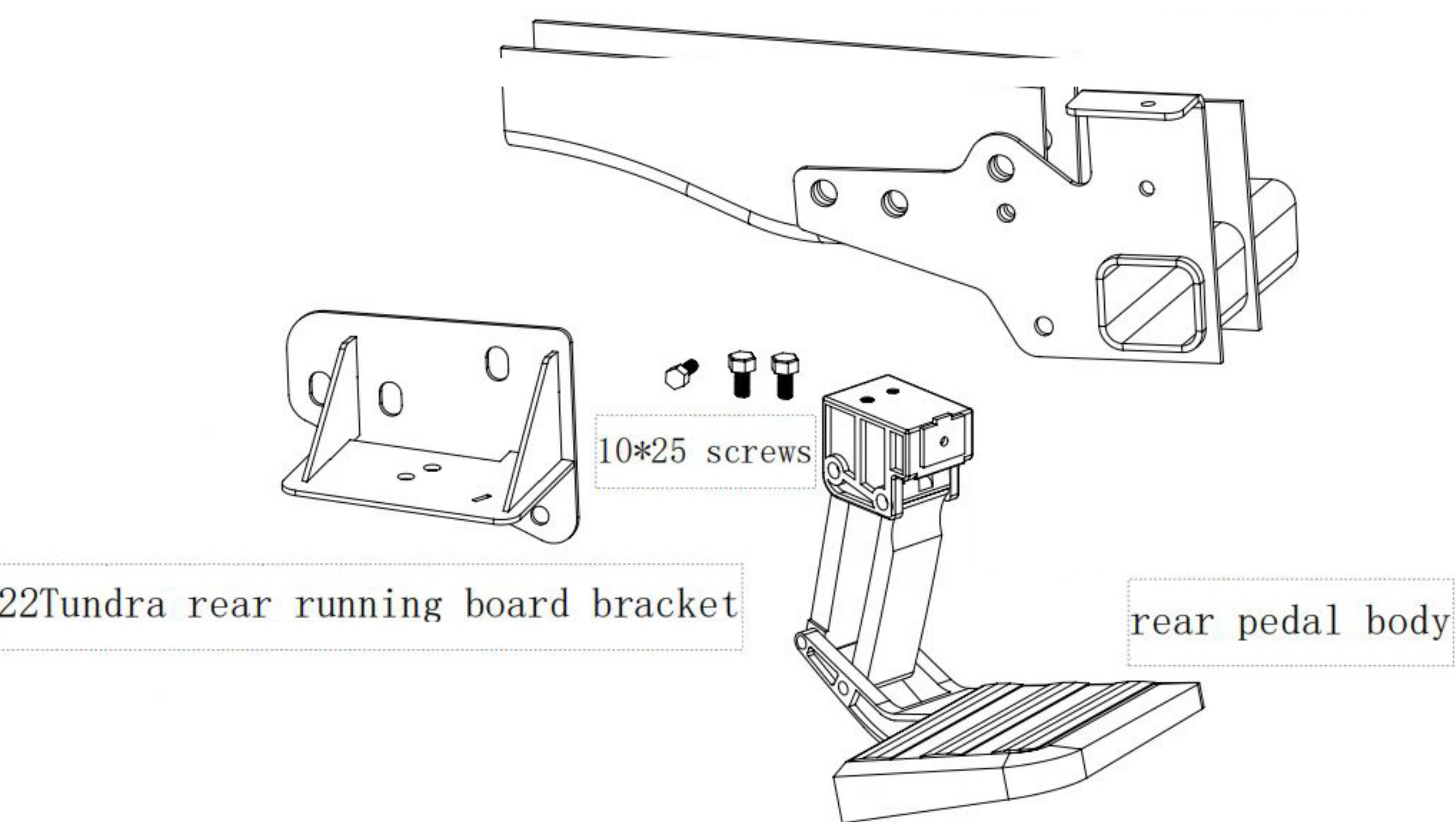
Brakets



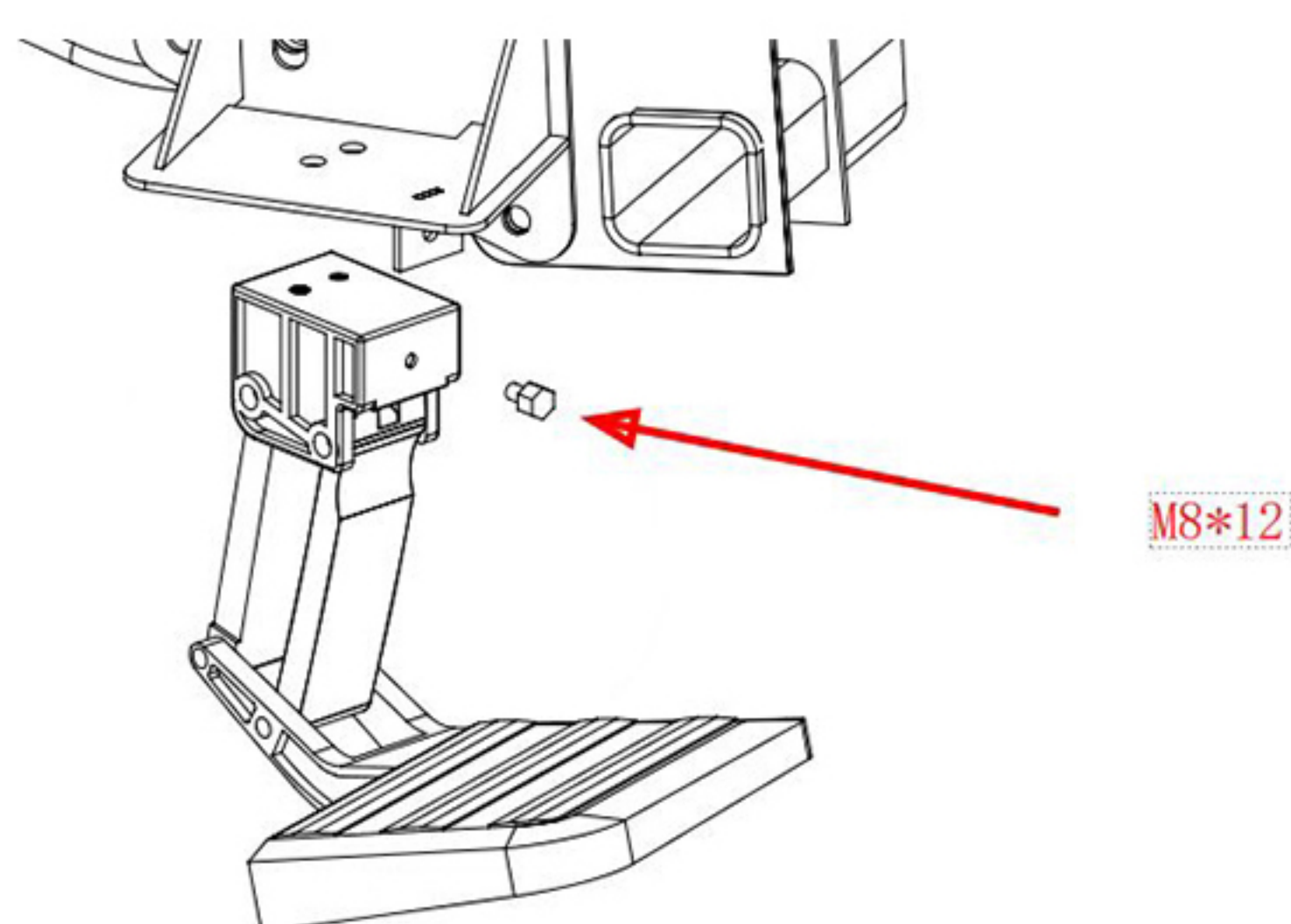
Screws Bolts



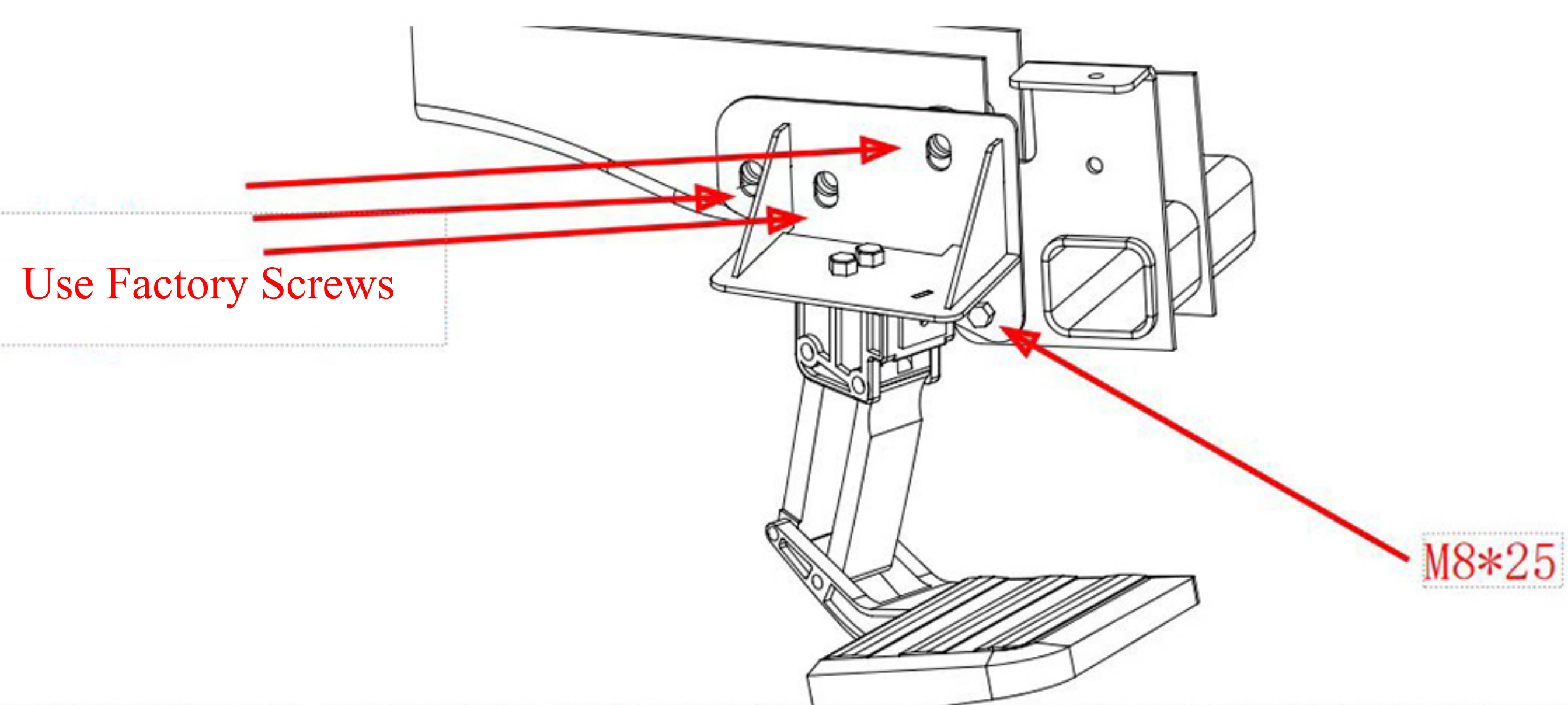
Rear Pedal Body



Parts display drawing



Installation steps: 1. First, connect the bracket and plate body with 10*35 screws, and fix the side with 8*12 screws



Installation steps: 2. Install the assembled bracket in the position of the left rear girder of the rear bucket of the pickup truck. The installation holes are shown in the figure. The top is installed with the original car screws, and the bottom is fixed with the matched 8*25 screws.

