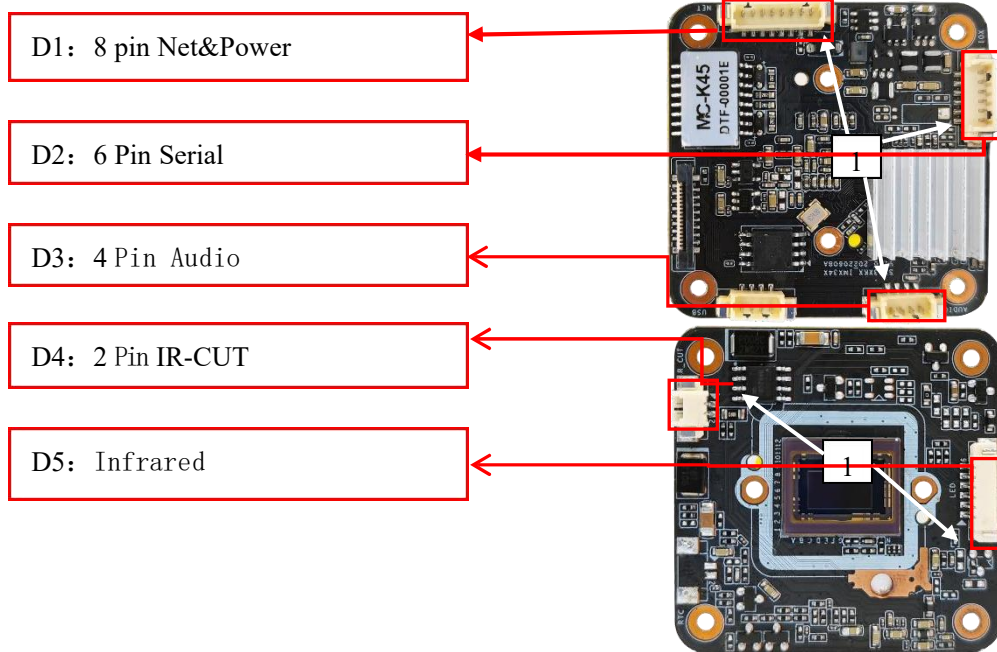


## A4MS47 Wiring



The white arrow points to the first pin

### Pin definition

Code	Function	Number	Definition	Function of pin
D1	8 Pin Network&Power	1	DC 12V+	DC 12V
		2	GND	GND
		3	RJ45_6	RJ6 RX-
		4	RJ45_3	RJ3 RX+
		5	RJ45_2	RJ2 TX-
		6	RJ45_1	RJ1 TX+
		7	LED+	LED
		8	LED+	LED
D2	6 Pin Serial port	1	RESET	
		2	AF_TX	AF Autofocus port
		3	AF_RX	NG
		4	AF_TX	
		5	AF_RX	
		6	SPK_EN	Amplifier IO
D3	4 Pin Audio	1	AUDIO_OUT	Speaker
		2	AUDIO_IN	Audio pickup
		3		
		4	GND	GND

<b>D4</b>	2 Pin IR-CUT Port	1	IR-CUT control	Filter switcher
		2	IR-CUT control	Filter switcher
<b>D5</b>	6 Pin Light board port	<b>1</b>	<b>CDS_IN</b>	
		<b>2</b>	<b>GND</b>	GND
		<b>3</b>	<b>DC 12V_OUT</b>	DC 12V+
		<b>4</b>	<b>GND</b>	GND
		5	IO_IN	
		6	IO_OUT	White (warm) light