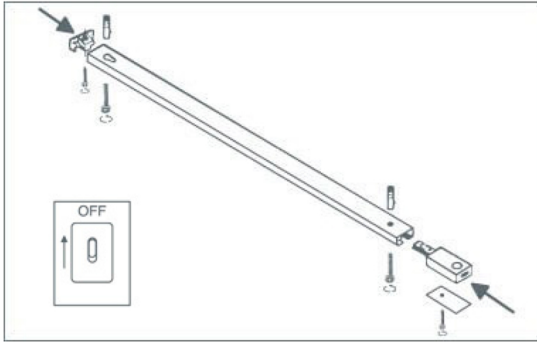




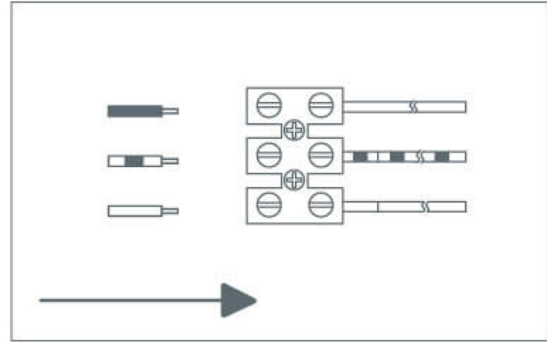
LED Track Light Installation Guide

To avoid the risk of fire, explosion, or electric shock, this product should be installed, inspected, and maintained by a qualified electrician only, in accordance with all applicable electrical codes.

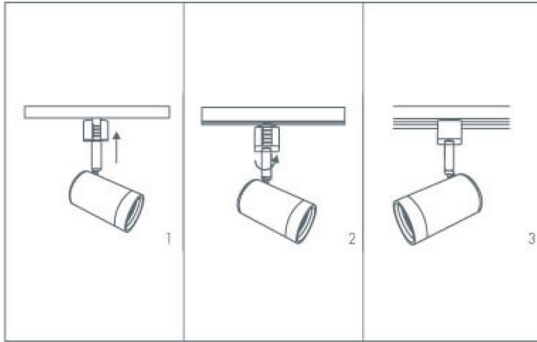
Installation



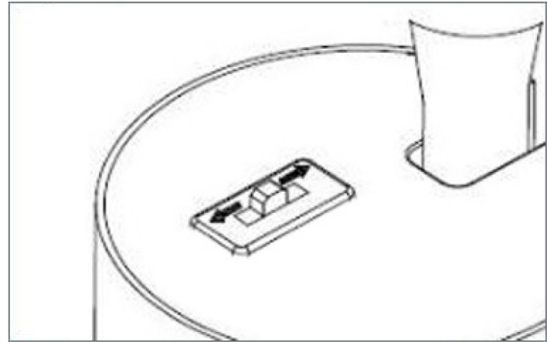
Step 1 - Select the location of the rail track and turn off the power. Use a pencil to mark positions, drill holes and attach the rail track/s using screws to the ceiling. To hang the track light, the suspension kit is also available to purchase.



Step 2 - Connect the wires to the mains. Brown = Live, Blue = Neutral, Yellow/Green = Earth Wire.

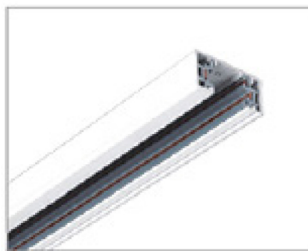


Step 3 - Attach the spotlights on the rails. Spotlights are attached with a simple click and tight system that is already available on the rail track. No tools are needed for this part.



Step 4 - There are three colours (WW 3000K, NW 4000K & CW 6000K) built-in. Simply select the required light output using the CCT switch at the back of the light.

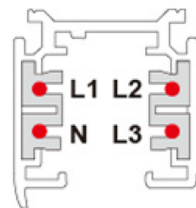
Track System



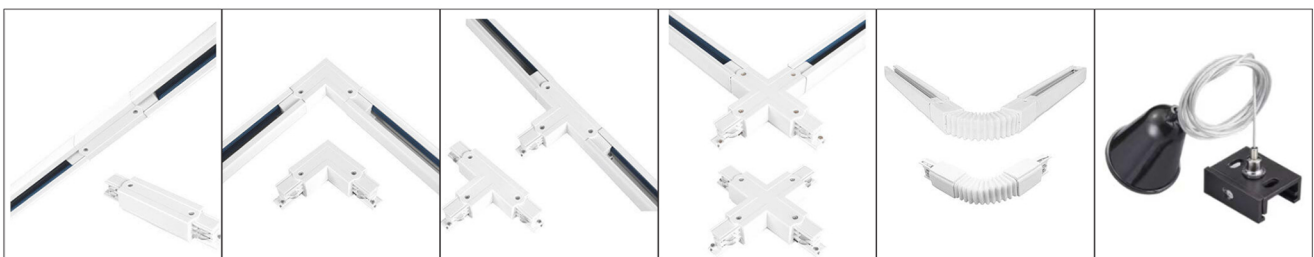
3 Wires Single Circuit



4 Wires 3 Circuits



Track Accessories



Straight Connector

L Shape Connector

T Shape Connector

X Shape Connector

Flexible Connector

1.5M Suspension Kit



MADE IN CHINA

G.W.S. LED, 53 Summer Lane, B19 3TH