

DIATONE[®] ROMA F5 DJI v2 机架组装示意图

Roma F5 DJI v2 Frame Assemble Diagram

Roma F5 DJI v2 在原有基础上,优化了机臂根部的受力强度;机头的金属材质,从原来的7075合金升级到304不锈钢材质,表面抛光处理,带来更好的质感。金属件的固定螺丝,也从M2统一到M3尺寸;增加了DJI的双天线固定方式。新配色的全系列注塑保护件,提升颜值的同时,更适合入门玩家对产品的保护。GoPro可调角度座,提升用户的使用体验。紧凑型低重心设计,将会获得更好的手感及飞行性能。

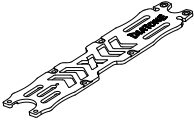
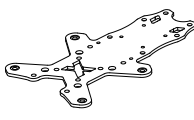
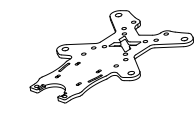
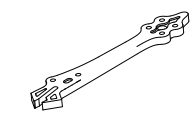
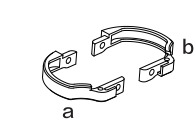
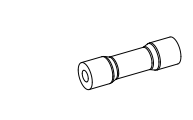
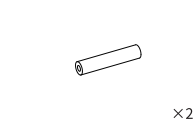
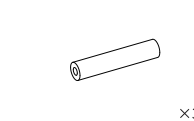

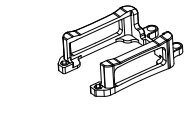

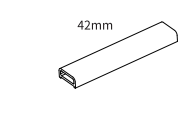
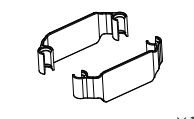
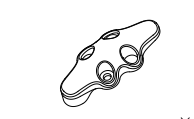
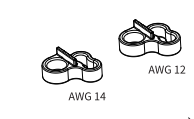

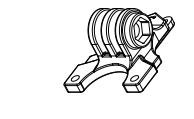
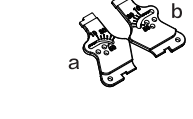

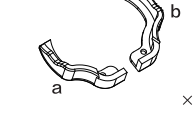

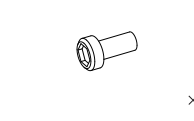
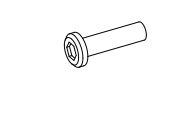
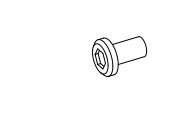
Diatone has introduced a number of changes to the newly optimized Roma F5 v2, including the stiffness and strength of the frame arms. We've also strengthened the metal parts at the front of the frame and upgrade the alloy material from 7075 to 304. For that extra high-end, tactile quality, we've treated the surface of the metal parts as well and changed the screws fixing the metal parts from M2 size to M3-sized specifications. For our digital HD fans, we haven't forgotten you! This time, we've added mounts for the twin DJI antennas. Roma F5 v2's injection-molded protection parts not only add a dash of color with our new color options but also offer better protection for your gear. The GoPro mount angle can be adjusted for faster changes on the fly. For the best flying experience, the v2 comes in a slammed configuration for stability.

产品规格 Product Specifications

机架类型:H型	对角轴距: 290mm	机架净重:140g(不含注塑件约13g)	上板厚度:2.5mm
中板厚度:2mm	底板厚度: 3.5mm	机臂厚度: 6mm	机臂宽度: 10~14mm
卡簧孔径: Ø5.5mm	设备层高:23mm	支持最大桨叶:5.2inch	摄像头间距:20mm
推荐电池:4S~6S	电机安装孔距:16mm(M3)	推荐电机:22~23系列电机	飞控孔距:20*20mm(M2)/30.5*30.5mm(M3)

Frame Shape: Type H	Motor to Motor:226mm	Frame Net Weight: 140g	Top Plate Thickness: 2.5mm
Medium Plate Thickness: 2 mm	Bottom Plate Thickness: 2.5mm	Arm Thickness:5mm	Arm Width:10~14mm
Bore Diameter of Snap Ring: Ø5.5mm	Max Stack Height: 23mm	Supported Prop Size: 5.2 inch	Camera Spacing:20mm
Recommended Lipo: 4S-6S	The hole distance of Motor mounting: 16mm(M3)		Recommended Motor Size: 22~23 Series motor
FC Stack Mount: 20*20mm(M2)/30.5*30.5mm(M3)			

配件清单 Parts list

A1  顶板 Top plate ×1	A2  中板 Medium plate ×1	A3  底板 Bottom plate ×1	A4  机臂 Arm ×4	B1  机头金属件 Drone head metal parts ×1	B2  M3×23mm台阶铝柱 M3×23mm Alum standoff ×5
B3  M2×19mm铝柱 M2×19mm Alum standoff ×2	B4  M3×23mm铝柱 M3×23mm Alum standoff ×3	C1  GPS/TBS/2.4G 打印件 GPS/TBS/2.4G 3D-Printed out ×1	C2  DJI天空端打印件 DJI AIR Unit bracket ×1	C3  DJI 双天线座 DJI dual antenna mount ×1	D1  电机线保护 Motor wire cover ×4
D2  飞控保护侧板 Arm guards ×1	D3  脚垫 Foot pad ×4	D4  电源线固定件 Power cord fixing ×1	D5  前进风侧板 Front airflow side panel ×1	D6  GoPro可调座 GoPro adjustable mount ×1	D7  镜头侧板 Camera plate ×1
D8  电池防滑垫 Lipo anti-slip pad ×1	D9  机头保护件 Camera protector ×1	D10  2.4G天线保护 2.4G Antenna protector ×2	E1  M2×5mm内六角螺丝 M2×5mm Hex screw ×7	E2  M2×11mm内六角螺丝 M2×11mm Hex screw ×3	E3  M3×5mm内六角螺丝 M3×5mm Hex screw ×5

E4

×10

M3×6mm内六角螺丝
M3×6mm Hex screw**E5**

×18

M3×8mm内六角螺丝
M3×8mm Hex screw**E6**

×12

M3×9mm内六角螺丝
M3×9mm Hex screw**E7**

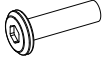
×6

M3×11mm内六角螺丝
M3×11mm Hex screw**E8**

×6

M3×13mm内六角螺丝
M3×13mm Hex screw**E9**

×4

M3×28mm内六角螺丝
M3×28mm Hex screw**E10**

×1

M5×20mm内六角螺丝
M5×20mm Hex screw**E11**

×1

M5 自紧螺母
M5 Self tightening nut**E12**

×18

M3×6×0.5mm 铁垫片
M3×6×0.5mm Iron gasket**E13**

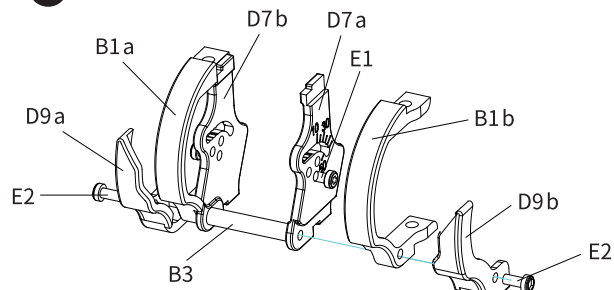
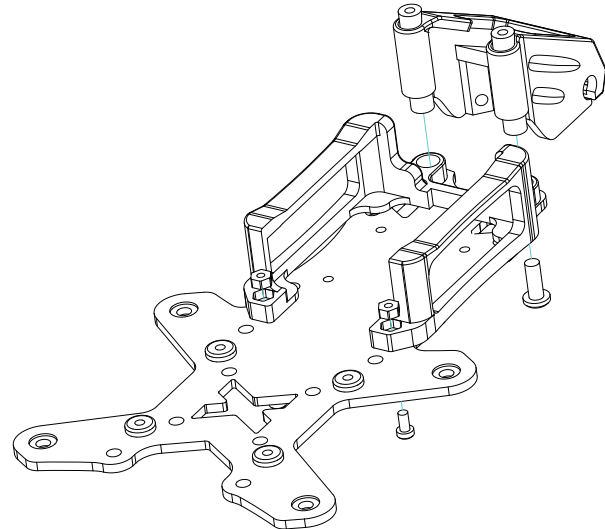
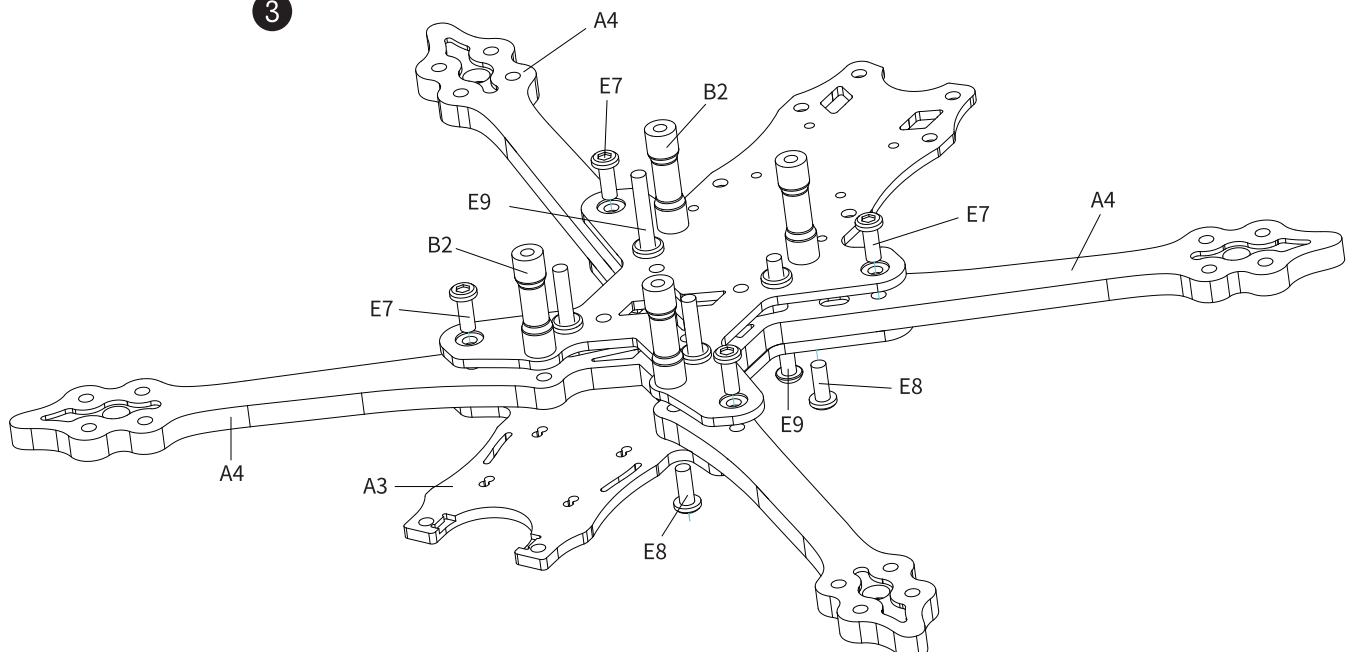
×3

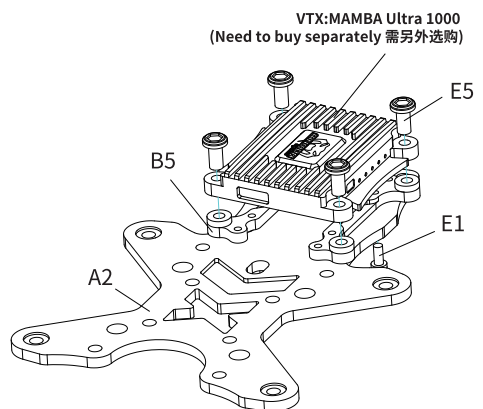
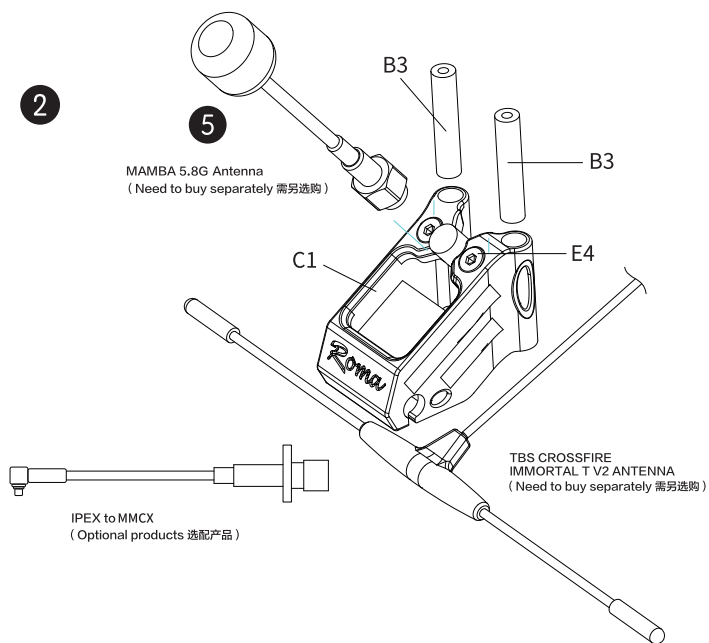
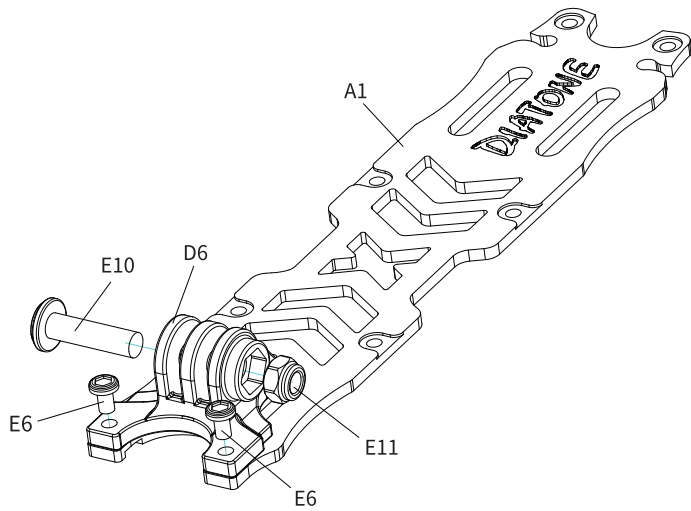
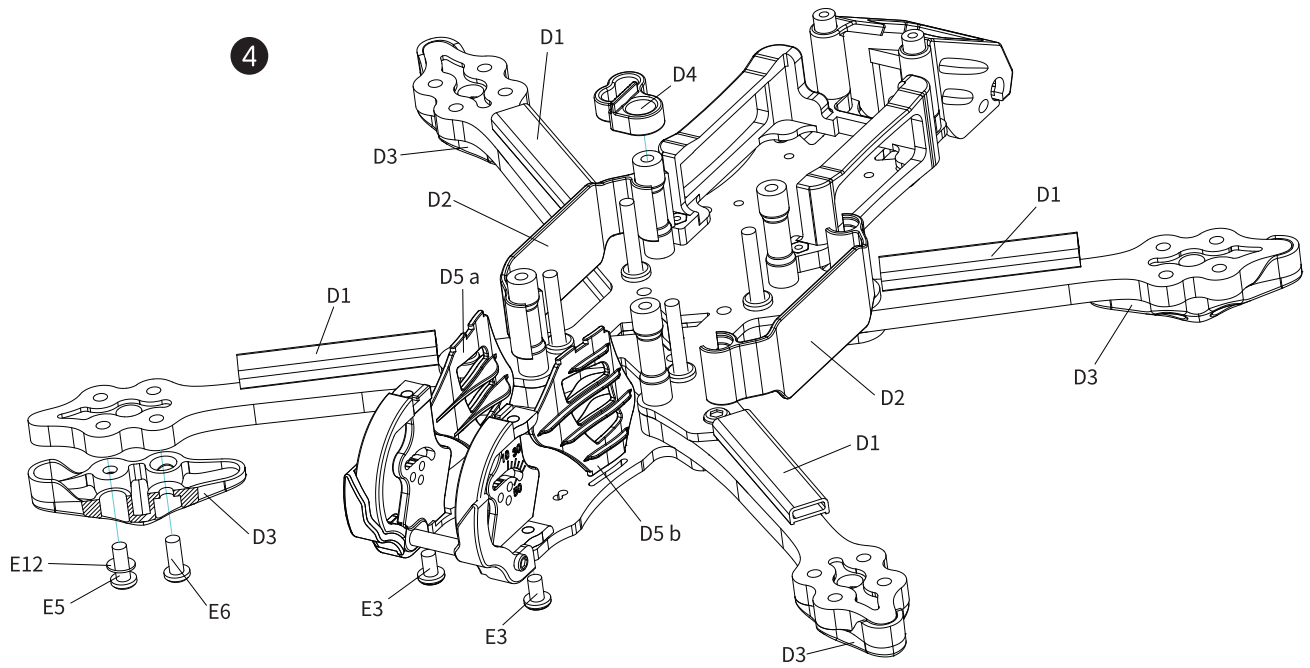
M2 螺母
M2 Nut**E4**

×3

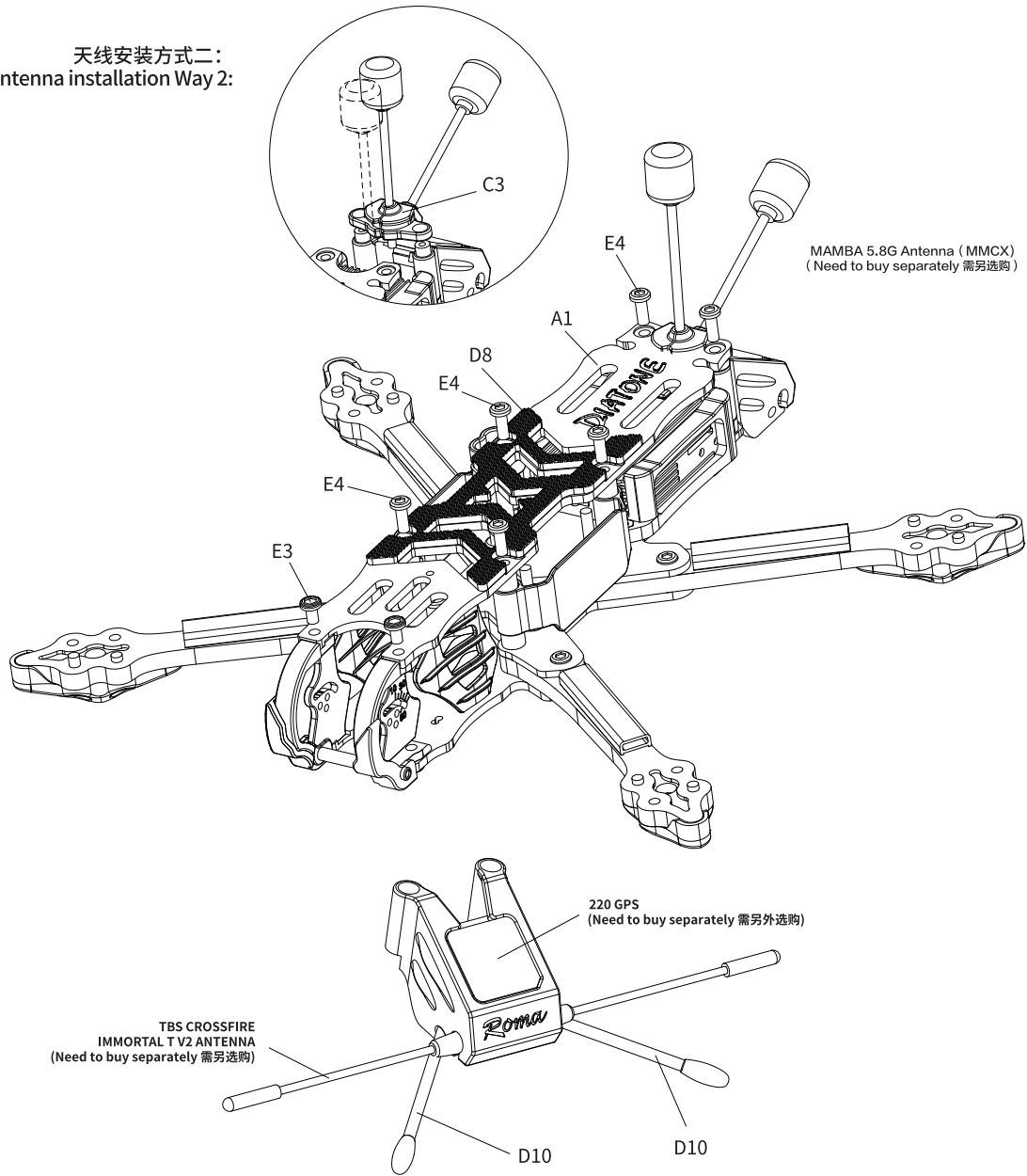
M3×5mm沉头内六角螺丝
M3×5mm Sunken socket head cap screw

安装步骤 Installation procedure

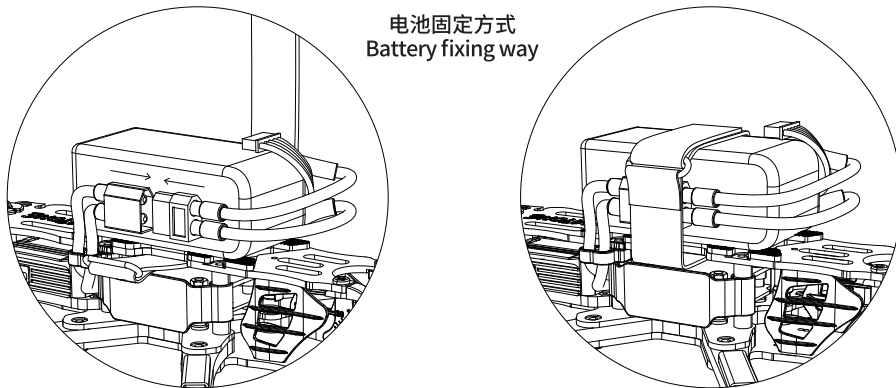
1安装20mm规格摄像头
Installation of 20mm camera**3**



天线安装方式二：
Antenna installation Way 2:



电池固定方式
Battery fixing way



更详细的信息, 可通过访问DIATONE官网获得
For more information, please refer to the Diatone official website

DIATONE®

We provide outstanding service since 2012

Manufacturer : Diatone Innovation Designed by Sniclo.

Email : service.support@diatone.hk

Tel : (+86) 0769-82100057 Web : www.diatone.us

Address : Baijiayi Technology Park A-3, Yantian, Fenggang, Dongguan, Guangdong, China