

DIATONE[®] ROMA F5 DJI

LET'S GO, BIGBOY

DIATONE[®] ROMA series
LET'S GO, BIGBOY



Learn about **ROMA**

Effortlessly become one with the wind with the Roma series, created using excellent craftsmanship and surpassing its freestyle predecessors. Fly the Roma frame to get maximum control over your FPV drone



DIATONE® ROMA series
LET'S GO, BIGBOY

Size Information



Weight: About 114 g
(without plastic parts)

Technique Specifications

Basic Configuration :

Frame Shape : Type H
Rack net weight : 130g
Medium Plate Thickness : 2mm
Arm Thickness : 5mm
Motor to Motor : 226mm
Top Plate Thickness : 2.5mm
Bottom Plate Thickness : 2.5mm
Side Plate Thickness : 1.5mm
Arm width : 10–12mm
Max Stack Height : 23mm

Mounting Hole Position Specifications :

Motor Hole Distance : 16mm
Bore Diameter of Snap Ring : $\Phi 5.5\text{mm}$
FC Stack Mount : 20*20mm(M3)/30.5*30.5mm(M3)

Recommend Configuration Specifications :

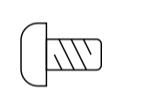
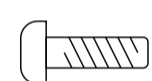
Supported Prop Size : 5.1 inch
Camera Spacing : 20mm
Recommended Lipo : 4S–6S
Recommended Motor Size : 22/23 Series motor



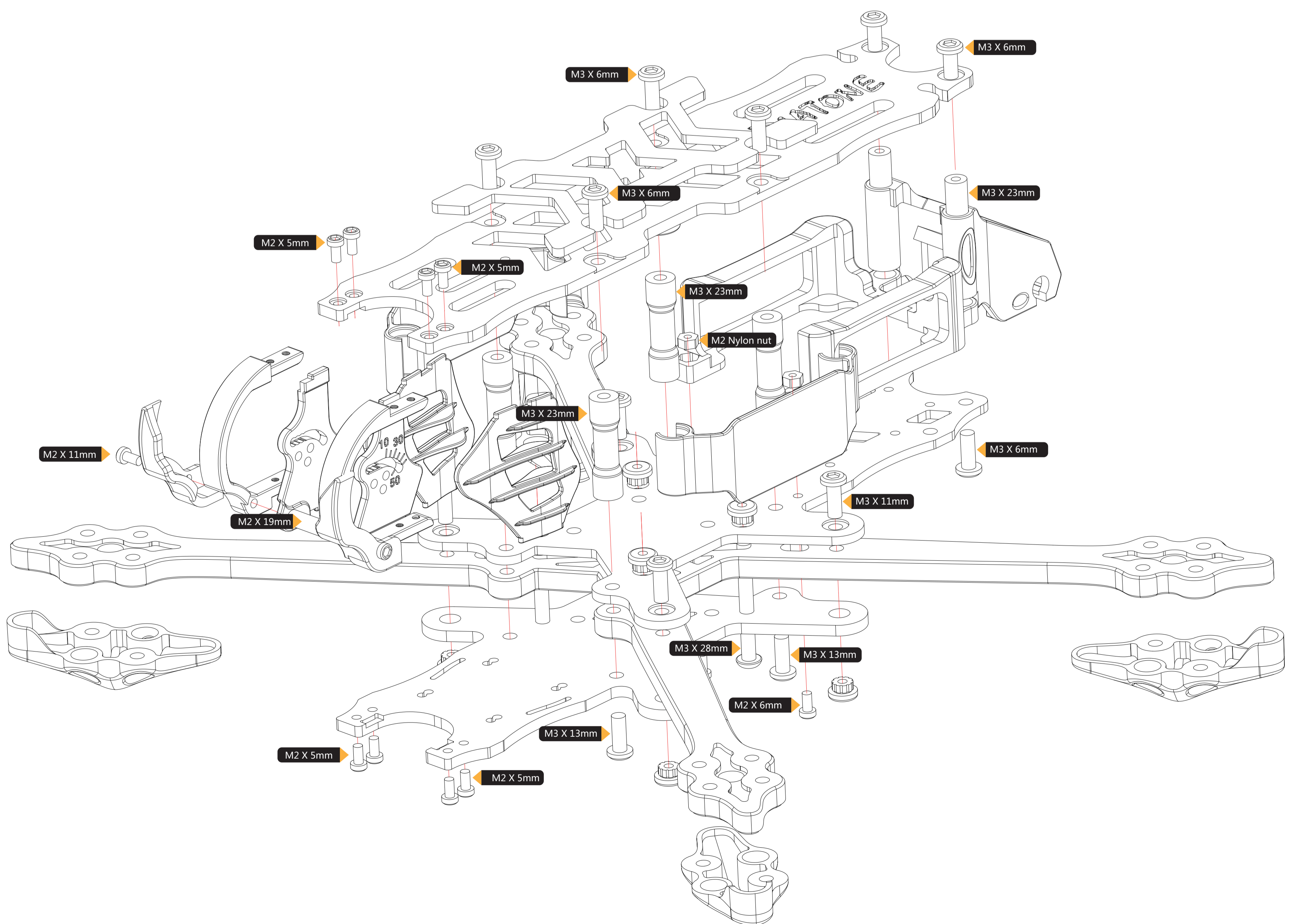
Configuration list



-  M2x4mm Screw 4
-  M2x5mm Screw 9
-  M2x11mm Screw 2

-  M3x3mm Screw 2
-  M3x6mm Screw 20

-  M3x11mm Screw 8
-  M3x13mm Screw 6
-  M3x28mm Screw 4





Aluminium Alloy Head

The design of aluminum alloy CNC parts and carbon fiber side plate can well protect the camera. And to ensure the intensity and beauty. The side panel of the camera is an injection molded part, which can well avoid DJI FPV A short circuit between the camera shield and the body.



Quick Disassemble Design

Independent quick removal arm design, Each arm is fixed by three screws, only need to remove two of them. Screw and loosen the flight control fixing screw to remove the arm easily.



Special Landing Gear

one of the Motor Pad, the complete armor designed by ROMA models, compared to 3D printed products, in addition to aesthetics, they also have higher durability. The way to fix the foot pad is to fix the screw hole of two motors diagonally, and the other two screw holes cannot be used for the foot pad. Fixing action, can fix well, also won't cause the motor screw to loosen because of vibration.



Multi-function antenna Mount

The dedicated TPU material 3D printed multi-function antenna pedestal, in addition to install GPS, also serves as the TBS CROSSFIRE The conventional 2G4 receiver antenna tube and the Immortan T antenna provide a fixed location.



Special Head Protection

The protection is one of the complete armor designed by the ROMA series aircraft, Compared with 3D printed products, they are not only beautiful, but also have higher durability. While protecting aluminum parts, It also protects the bottom of the plane during landing.



Line -Wire

The two power Wire fixing clips can be used on 12AWG and 14AWG respectively. Special specification can reduce the risk of being hit by the Props.



Forward wind sideplate

The inlet side panel, one of the complete armors designed by the ROMA series, has a streamlined design, which has a certain effect on air flow, It can also effectively block the blade to carry some vegetated objects or liquids spread into the surface of electronic equipment and affect the electronic equipment from the surface For starters, is a good protection.



Tower protection

The ROMA series models are designed with a full armor of equipment tower protection armor, which can effectively block the blade of some plants Such an object or liquid enters the electronic device surface, affects the life of the electronic device It is good protection.



Special injection mould accessories

Full armor designed for the ROMA series, Avoid an object or liquid enters the electronic device surface, affects the life of the electronic device In addition to head protection, tower protection, power cord fixing, arm landing gear .

ROMA F5 DJI

DJI Version 5inch Freestyle Quad

DIATONE[®]
LET'S GO, BIGBOY



The Configuration

ROMA F5 DJI were divided into four configurations :

4S F5 DJI Power Set/F5 DJI standard

6S Lipo F5 DJI Power Set/F5 DJI standard



Hd digital image Transmission

ROMA F5 DJI, which is equipped with DJI FPV HD digital image transmission, provides stability for users Clear 1080P real-time screen, 25mW/200mW/500mW/ 700MW can be selected from the Settings of goggles, 8 channels, 8 Aircraft with built-in remote control link, can be used with DJI FPV remote control.



Motor wire protection slot

The low wind resistance motor wire protection designed with the arm not only provides convenience in installation, but also avoids unnecessary equipment damage caused by blade damage to the motor wire in the process of blasting.



Power Collocation

Roma series , the whole machine is powered by MAMBA new 2207.5 motor series
The 4S (16.8V) 2450KV and 6S (25.2V) 1700KV are available.



GPS Module

ROMA F5 DJI, which added GPS module for long-distance gamers, can obtain relevant flight information from OSD. And in the case of an emergency, the aircraft can start the rescue mode. (Rescue mode is not return mode, please refer to relevant information for details)



Dynamic Props

ROMA F5 Using HQ Ethix S5 5*4*3 PC tri-blade (Mr Steele Freestyle customized paddle), It provides enough power and good feel for players who need to assemble GOPRO HD equipment.



Assembly of the antenna

ROMA F5 DJI, with MAMBA LHCP antenna (MMXC black), for better signal,
Both of the custom antennae are adjusted in height from the original model to ensure
that signals are not used when the aircraft returns to its departure point
Obstructed by objects such as batteries

ROMA F5 DJI
DJI Version 5inch Freestyle Quad

DIATONE[®]
LET'S GO BIGBOY

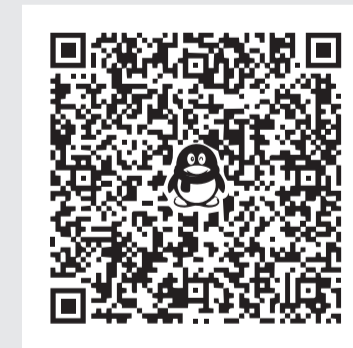
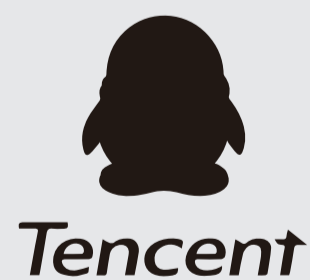
Search the proper configuration for you

ROMA F5 DJI (4S lipo)

	Roma F5 DJI 动力套装	Roma F5 DJI 标准款
FC :	Mamba F405DJI FC	Mamba F405DJI FC
ESC :	Mamba F50 pro ESC	Mamba F50 Pro ESC
Motor :	Mamba 2207.5 2450kv	Mamba 2207.5 2450kv
CAM :	---	DJI FPV
VTX :	---	DJI FPV
Antenna :	---	DJI FPV / Mamba LHCP 黑(MMXC)
Props :	HQ Ethix S5 Prop	HQ Ethix S5 Prop
Rx :	Frsky Rxsr/TBS CROSSFIRE NANO	Frsky Rxsr/TBS CROSSFIRE NANO

ROMA F5 DJI (6S lipo)

	Roma F5 DJI 动力套装	Roma F5 DJI 标准款
FC :	Mamba F405DJI FC	Mamba F405DJI FC
ESC :	Mamba F50 pro ESC	Mamba F50 Pro ESC
Motor :	Mamba 2207.5 1700kv	Mamba 2207.5 1700kv
CAM :	---	DJI FPV
VTX :	---	DJI FPV
Antenna :	---	DJI FPV / Mamba LHCP 黑(MMXC)
Props :	HQ Ethix S5 Prop	HQ Ethix S5 Prop
Rx :	Frsky Rxsr/TBS CROSSFIRE NANO	Frsky Rxsr/TBS CROSSFIRE NANO



DIATONE®

We provide outstanding service since 2012

Manufacturer : Diatone Innovations Design by JAHO

Tel : (+86) 0769-82100057

Web : www.diatone.us

Address : Baijiayi Technology Park A-3, Yantian, Fenggang, Dongguan, Guangdong, China