

**成品尺寸：200mm\*297mm**

**出血位：红色虚线，3mm**

**文件比例：1:1**

**单位：mm**

**纸张：105g 铜版纸**

**折式:蓝色虚线为折叠虚线（无需印刷）**

**时间：2021-08-19**

# DIATONE<sup>®</sup> ROMA F35机架组装示意图

## ROMA F35 Frame Assemble Diagram

Roma F35 为F系列3.5inch紧凑型设计，一体底板设计，除了增加了飞行的稳定性，也为机身大大增加了电子设备的安装空间。机头为7075 镁铝合金材质，最大支持20mm的宽度镜头，配备了20mm/19mm两款固定镜头的3D打印件。设备塔安装孔位为M3（20mm\*20mm）配有M3转M2的CNC铝件，M3（30.5mm\*30.5mm）共两组，满足对各种设备塔的安装要求。通用设备塔侧注塑保护件，提升颜值的同时，更适合入门玩家对产品的保护。另开发了适配DJI FPV 全尺寸的天空端的可选配配件，满足玩家对高清图质的要求。

Roma F35 is a Roma F series 3.5inch compact design with an integrated base plate design, which not only increases the stability of the flight, but also greatly increases the installation space of the electronic equipment for the Frame. The head of the frame is made of 7075 magnesium-aluminum alloy, which supports a maximum lens width of 20mm, and is equipped with 3D printed parts for 20mm/19mm camera. The installation hole position of the equipment tower is M3 (20mm\*20mm) equipped with M3 to M2 CNC aluminum parts. There are two sets of M3 (30.5mm\*30.5mm) to meet the installation requirements of various equipment towers. Side injection protection parts, while improving the appearance, are more suitable for beginners to protect the product. Optional accessories for the full-size DJI FPV have also been developed to meet players' requirements for high-definition picture quality.

### 产品规格

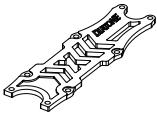
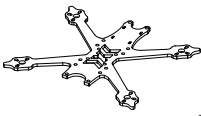
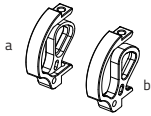
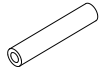

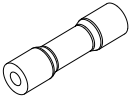

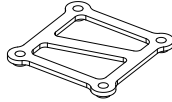
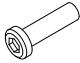
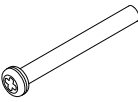


#### Product Specifications

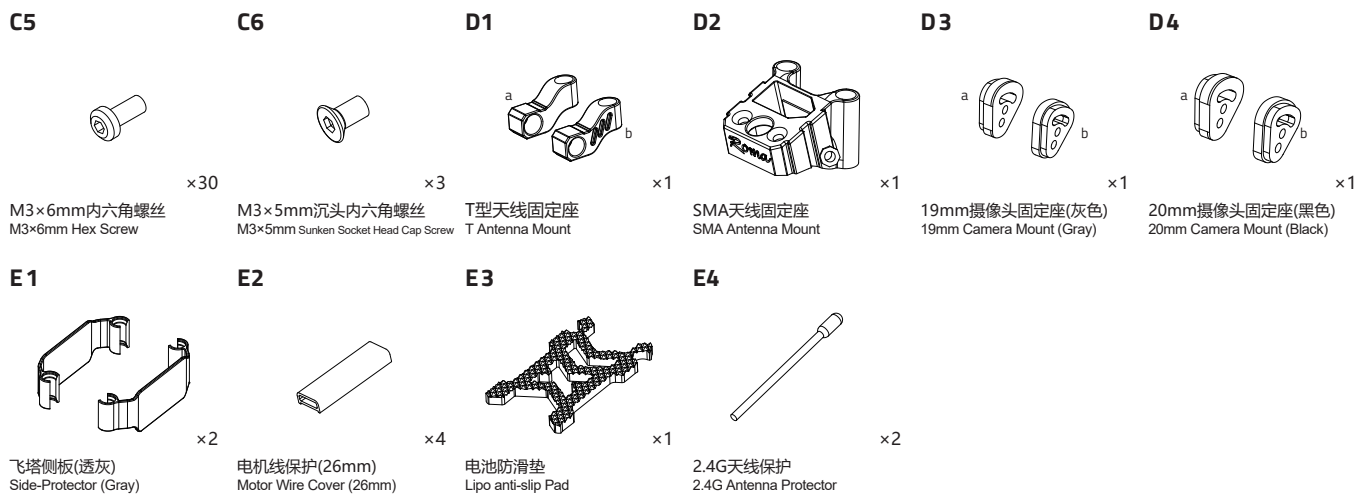
机架类型: H型	对角轴距: 158mm	机架净重: 70g	上板厚度: 2mm
底板厚度: 3mm	机臂厚度: 3mm	机臂宽度: 9.2~12mm	对角孔距: 12mm(M2)/16mm(M3)
卡簧孔径: $\varnothing$ 6.2mm	设备层高: 25mm	支持最大桨叶: 3.5 inch	摄像头间距: 19mm/20mm
推荐电池: 4S~6S	推荐电机: 20-22系列电机	飞控孔距: 20×20(M2/M3)/30.5×30.5 (M3)	

Frame Shape: Type H	Motor to Motor: 158mm	Frame Net Weight: 70g	Top Plate Thickness: 2mm
Bottom Plate Thickness: 3mm	Arm Thickness: 3mm	Am Width: 9.2~12mm	Motor Hole Distance: 12mm(M2)/16mm(M3)
Bore Diameter of Snap Ring: $\varnothing$ 6.2mm	Max Stack Height: 25mm	Supported Prop Size: 3.5 inch	Camera Spacing: 19mm/20mm
Recommended Lipo: 4S-6S	Motor Size: 20-22 Series motor	FC Stack Mount: 20×20(M2/M3)/30.5×30.5 (M3)	

### 配件清单

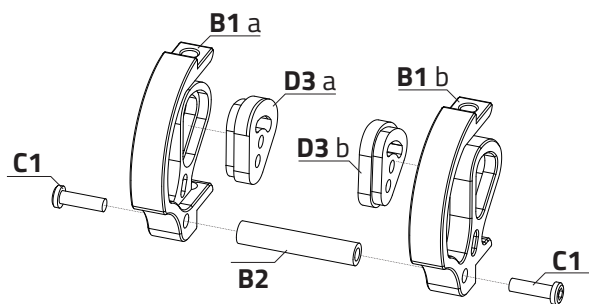
#### Parts list

<b>A1</b>	<b>A2</b>	<b>B1</b>	<b>B2</b>	<b>B3</b>	<b>B4</b>
					
×1	×1	×1	×2	×3	×5
上板 Top Plate	底板 Bottom Plate	机头金属件 Camera Metal Protector	M2×20mm漆花铝柱 M2×20mm AI Standoff	M3×25mm漆花铝柱 M3×25mm AI Standoff	M3×25mm台阶铝柱 M3×25mm AI Standoff
<b>B5</b>	<b>B6</b>	<b>C1</b>	<b>C2</b>	<b>C3</b>	<b>C4</b>
					
×5	×1	×3	×5	×3	×5
M3转M2螺丝固定铝件 M3-M2 Screws Fix Mount	飞塔M3转M2固定铝件 M3-M2 Adaptor	M2×9mm内六角螺丝 M2×9mm Hex Screw	M2×22mm圆头十字螺丝 M2×22mm Philip's head screw	M3×4mm内六角螺丝 M3×4mm Hex Screw	M3×5mm内六角螺丝 M3×5mm Hex Screw

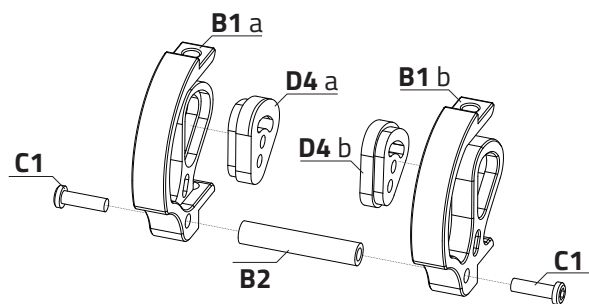


## 安装步骤 Assembly Guide

1

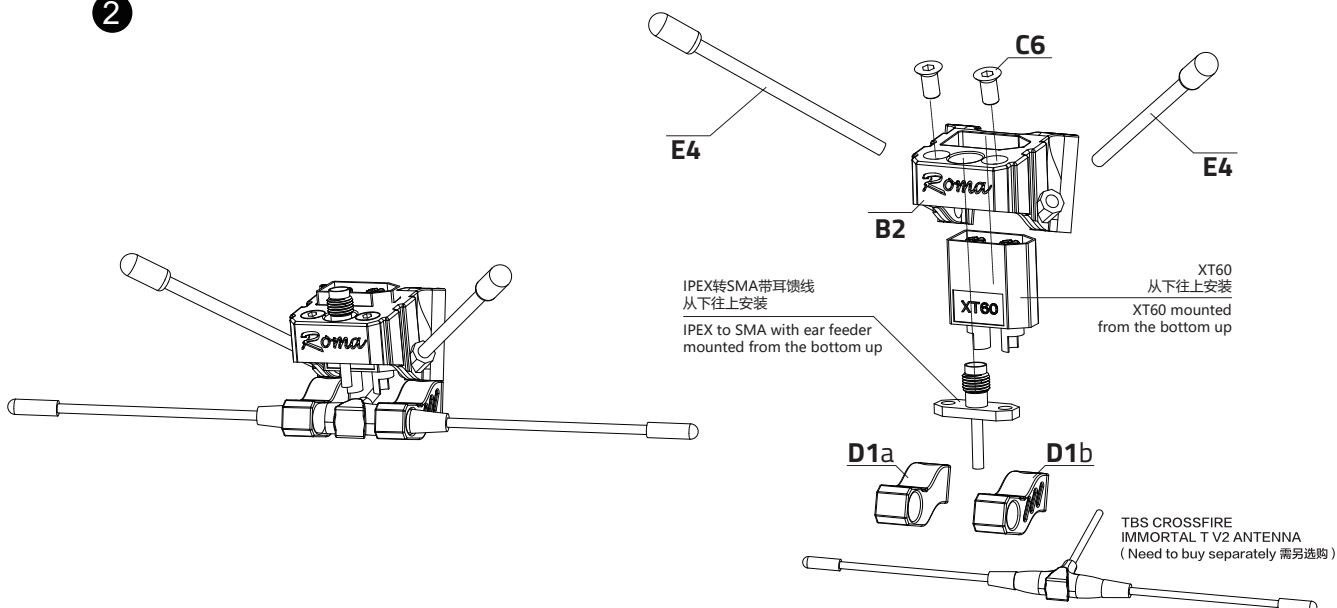


安装19mm规格摄像头(灰色)  
installation of 19mm Camera(Gray)

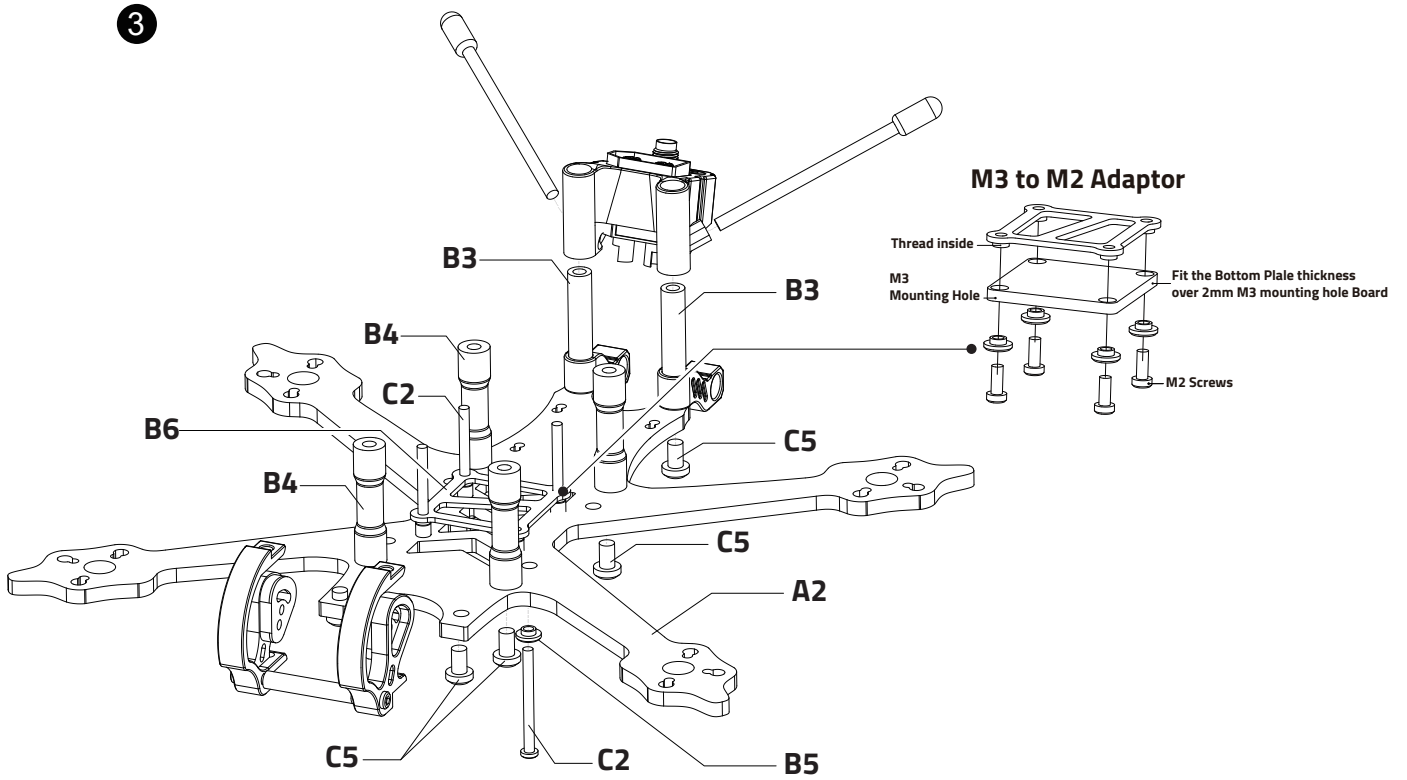


安装20mm规格摄像头(黑色)  
installation of 20mm Camera(Black)

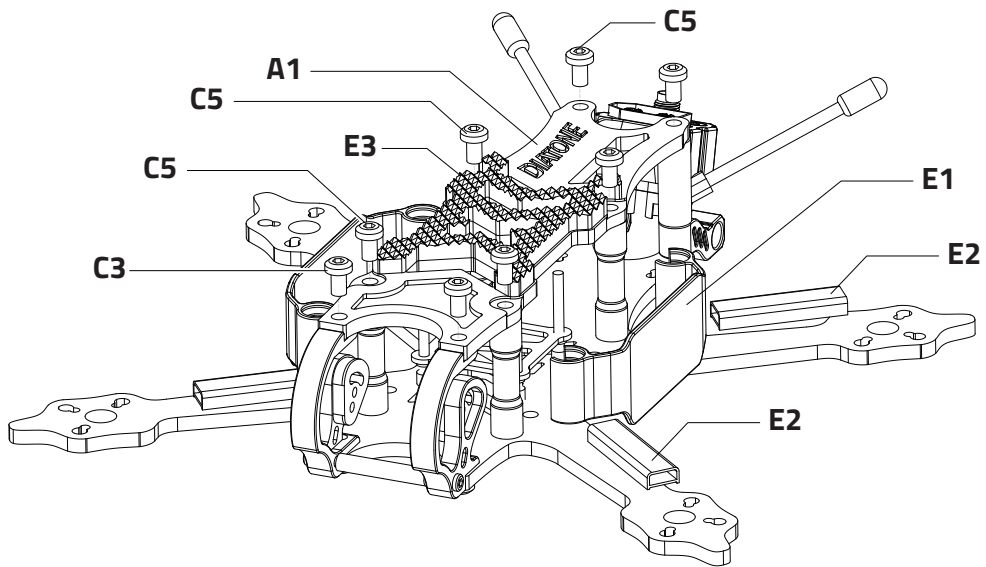
2



3



4



更详细的信息，可通过访问DIATONE官网获得

For more information, please refer to the Diatone official website

**DIATONE®**

We provide outstanding service since 2012

Manufacturer : Diatone Innovation Designed by Sniclo.

Tel : (+86) 0769—82100057      Web : www.diatone.us

Address : Baijiayi Technology Park A-3, Yantian, Fenggang, Dongguan, Guangdong, china