

DIATONE[®] MX TAYCAN C3 v1.1 机架组装示意图

MX TAYCAN C3 v1.1 Frame Assemble Diagram

TAYCAN C3 V1.1 在原设计基础上,修改了电机固定孔位,从原来的对角孔距12mm调整为16mm,适配如22级别的动力,满足玩家对大动力的要求。另外在机身的尾部上方,增加了Type-C的固定输出口,解决了连接飞控不方便的问题。

Based on the original design, TAYCAN C3 V1.1 modified the motor mounting hole, adjusted from the original hole distance from 12mm to 16mm, Fit 22XX motor, meet the players' requirements for large power. In addition, a Type-C fixed output port is added above the rear plate, which solves the problem of inconvenient connection to the flight control.

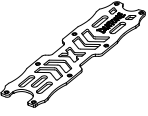
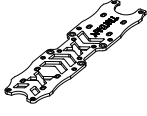
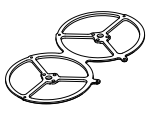
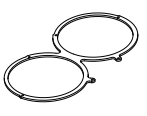
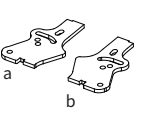
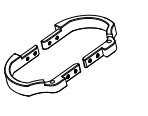



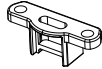

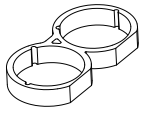



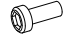
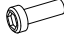

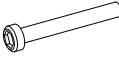

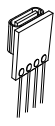
产品规格

Product Specifications

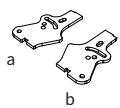
机架类型:H型	对角轴距:157.5mm	机架净重:PNP 158g / DJI 161.7g	上板厚度:2mm
底板厚度:2.5mm	电机臂厚度:2.5mm	电机对角孔距:16mm	卡簧孔径:Ø6.5mm
设备层高:30mm/MAX	支持最大桨叶:3inch	摄像头间距:19mm/20mm(DJI)	推荐电池:4S~6S
推荐电机:22系列电机	飞控孔距:20*20mm (M2)/30.5*30.5mm (M3)		
Frame Shape: Type H	Motor to Motor:157.5mm	Frame Net Weight: PNP 158g / DJI 161.7g	Top Plate Thickness: 2mm
Bottom Plate Thickness: 2.5mm	Arm Thickness:2.5mm	Motor Hole Distance: 16mm	Bore Diameter of Snap Ring: Ø6.5mm
Max Stack Height: 30mm/MAX	Supported Prop Size: 3 inch	Camera Spacing:19mm/20mm(DJI)	Recommended Lipo: 4S-6S
Recommended Motor Size: 22 Series motor		FC Stack Mount: 20*20mm(M2)/30.5*30.5mm(M3)	

配件清单

Parts list

A1  顶板 Top plate ×1	A2  底板 Bottom plate ×1	A3  电机臂 Motor Arm ×2	A4  上板 Upper board ×2	A5  镜头侧板 Camera plate ×1	B1  机头金属件 Drone head metal parts ×1
B2  M2×3.5×19mm 铝柱 M2×3.5×19mm Alum standoff ×1	B3  M2×3.5×24mm 铝柱 M2×3.5×24mm Alum standoff ×12	B4  M2×3.5×30mm 铝柱 M2×3.5×30mm Alum standoff ×2	C1  Type-c 固定打印件 Type-c 3D print mount ×1	C2  单天线固定打印件 Single antenna mount ×1	D1  EVA 保护圈 EVA protection ring ×2
D2  注塑保护圈 Injection protection ring ×4	D3  M2×1.5mm 增高柱 M2×1.5mm Heightening standoff ×4	D4  2.4G天线保护 2.4G Antenna protector ×2	E1  M2×4mm内六角螺丝 M2×4mm Hex screw ×9	E2  M2×5mm内六角螺丝 M2×5mm Hex screw ×4	E3  M2×6mm内六角螺丝 M2×6mm Hex screw ×20
E4  M2×11mm内六角螺丝 M2×11mm Hex screw ×12	E5  M3×4mm沉头内六角螺丝 M3×4mm Sunken socket head cap screw ×2	F1  Type C 调参延长线 Type C extension cable ×1			

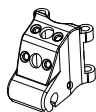
F1 (DJI选购)



DJI注塑侧板
DJI Camera plate

×1

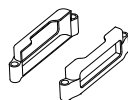
F2 (DJI选购)



DJI双天线固定打印件
DJI dual antenna 3D print mount

×1

F3 (DJI选购)



DJI 天空打印件
DJI AIR Unit bracket

×1

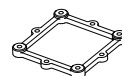
F4 (DJI选购)



M2×5mm内六角螺丝
M2×5mm Hex screw

×4

F5 (PNP选购)

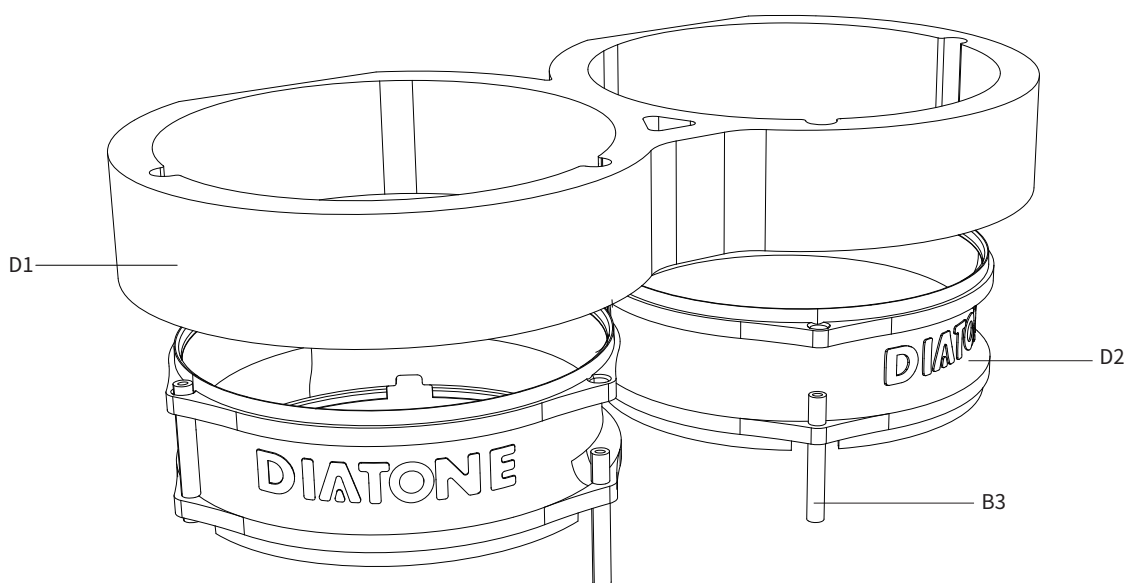


20转25.5铝件
20 to 25.5 aluminum parts

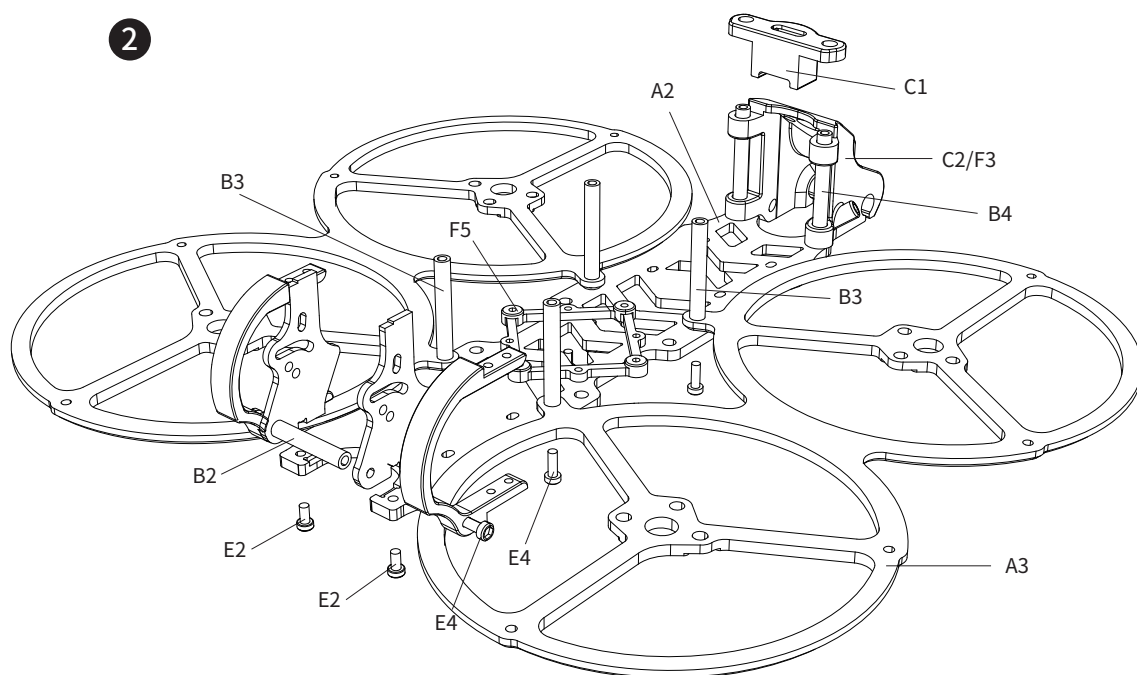
×1

安装步骤 Installation procedure

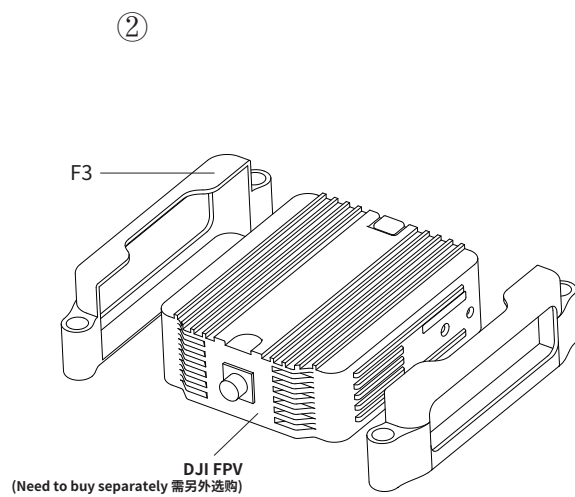
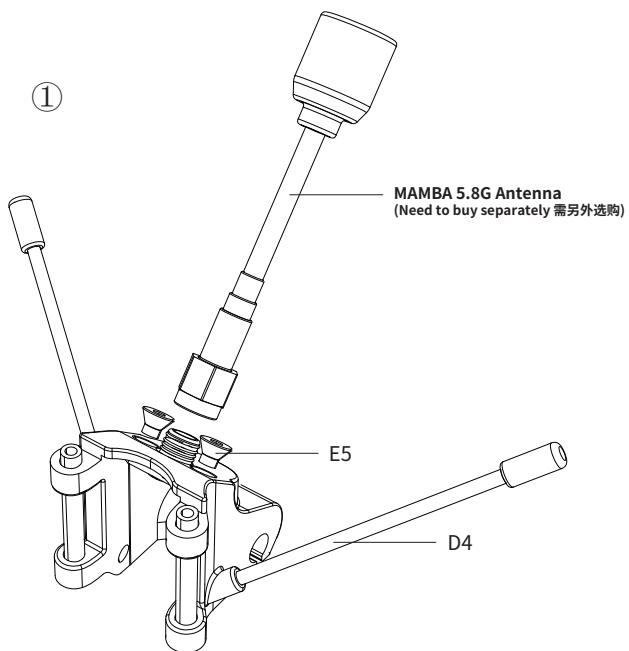
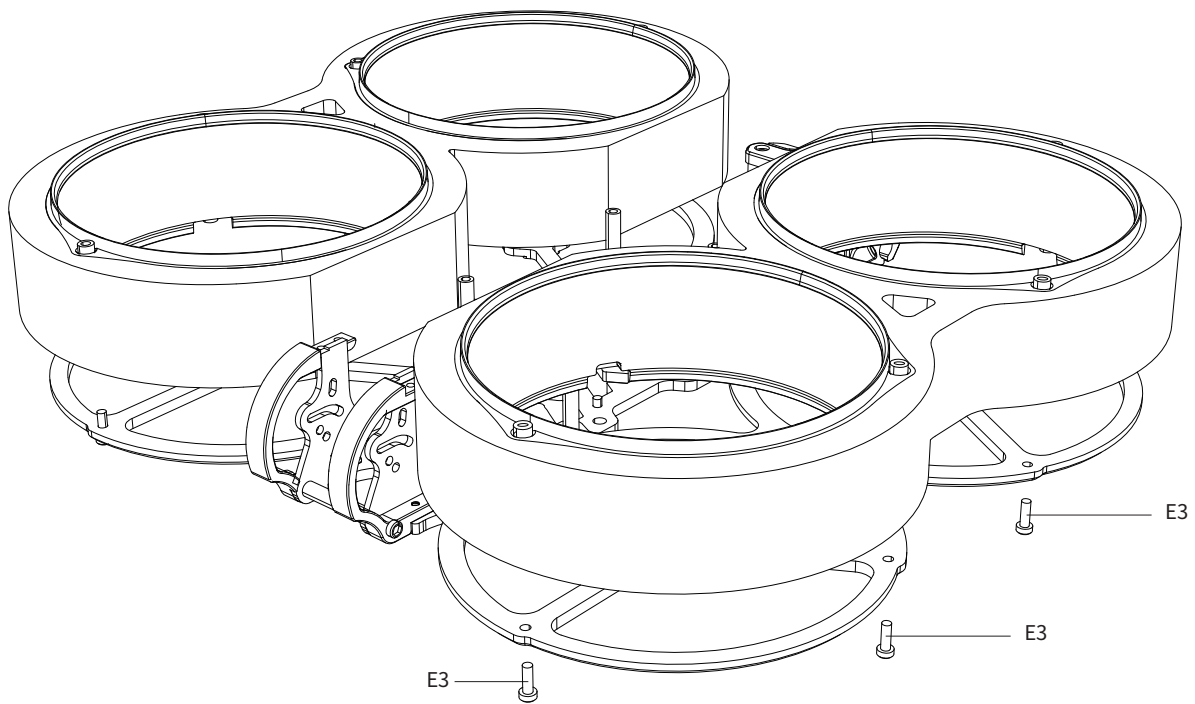
1



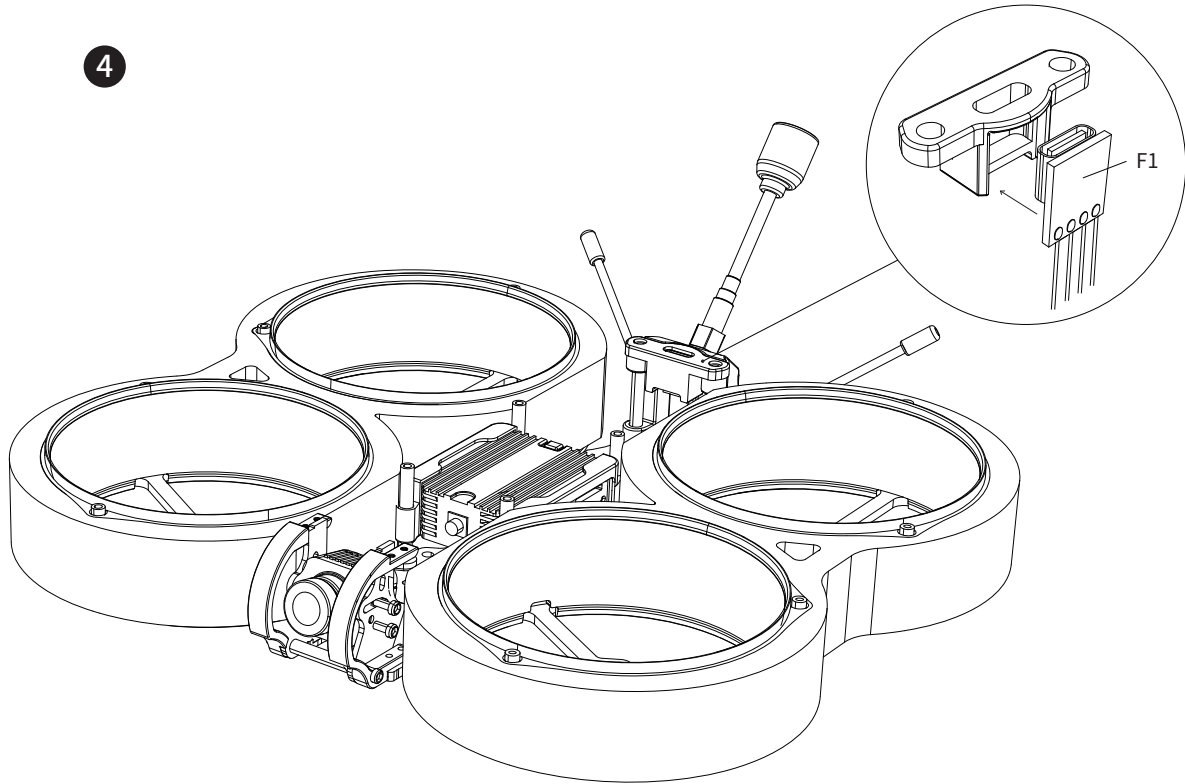
2



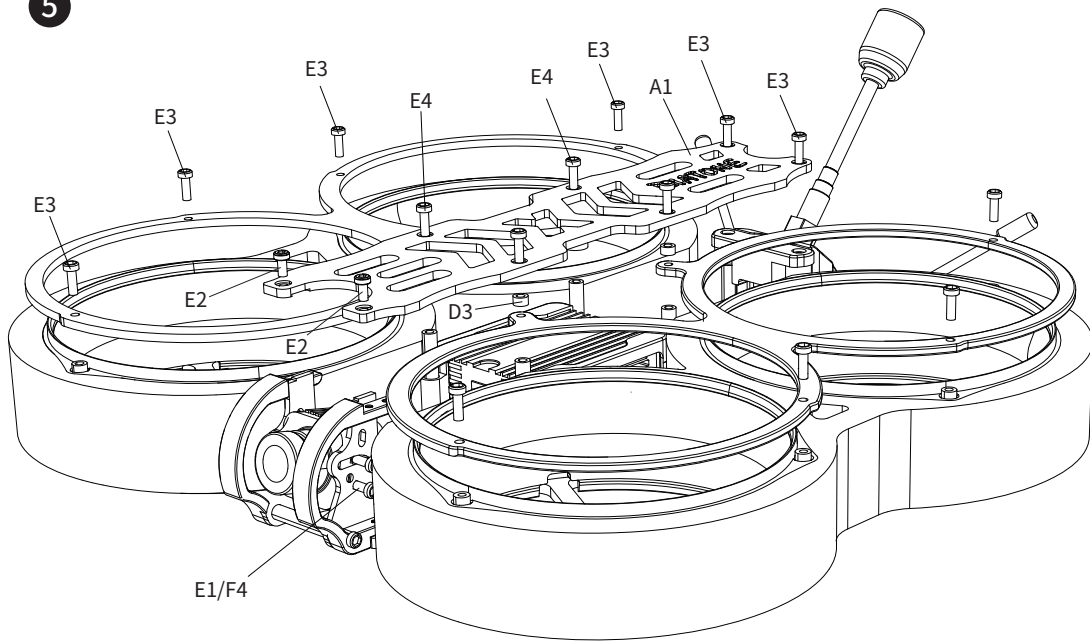
3



4



5



更详细的信息, 可通过访问DIATONE官网获得
For more information, please refer to the Diatone official website

DIATONE®

We provide outstanding service since 2012

Manufacturer : Diatone Innovation Designed by Sniclo.

Email : service.support@diatone.hk

Tel : (+86) 0769-82100057 Web : www.diatone.us

Address : Baijiayi Technology Park A-3, Yantian, Fenggang, Dongguan, Guangdong, China