

# LOCKLY VISION™

SMART LOCK + VIDEO DOORBELL



## INSTALLATION MANUAL

DEADBOLT EDITION

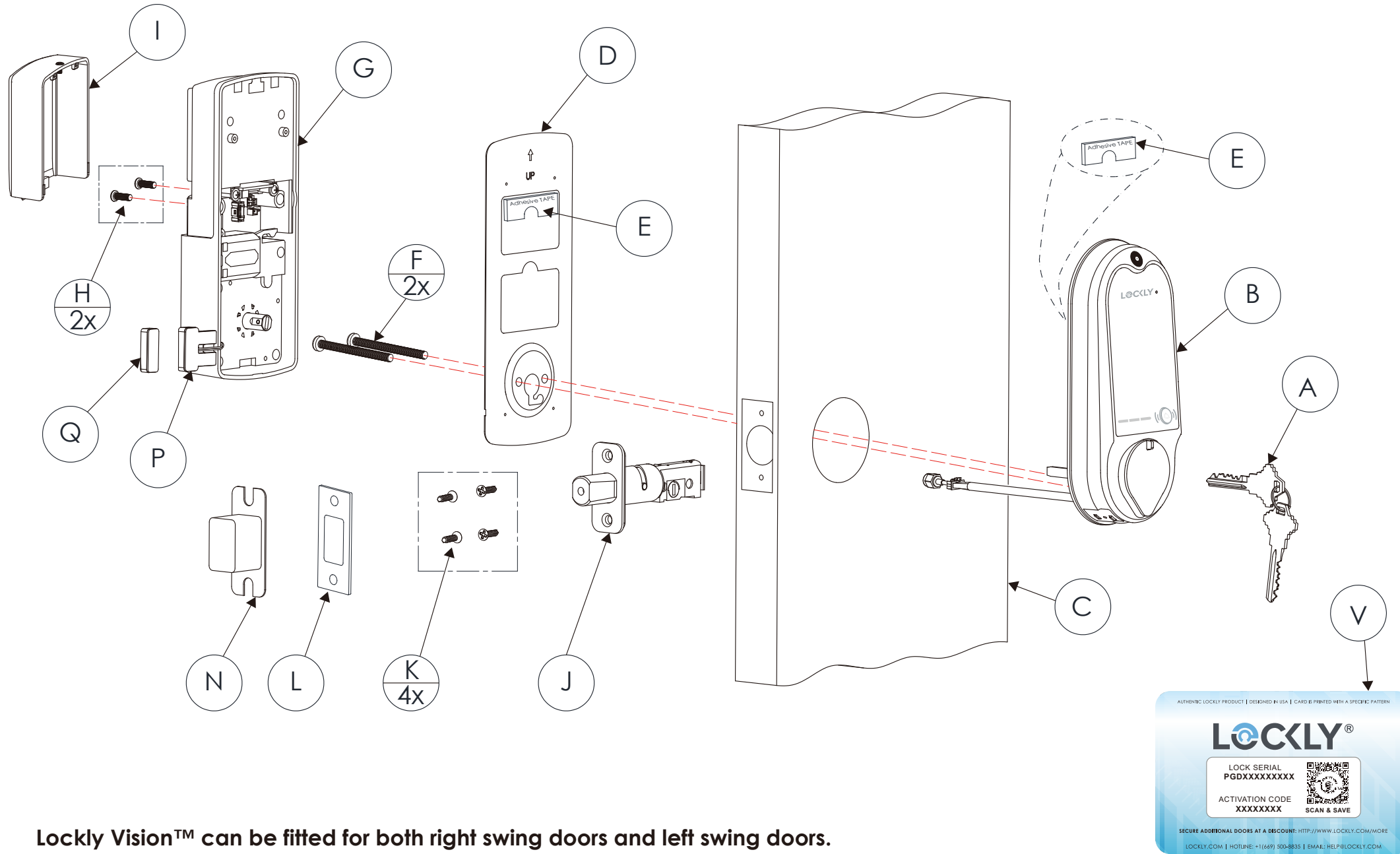
# CAUTION



**Contains Electrostatic- sensitive (ESD) parts.  
Avoid touching with bare hands.**

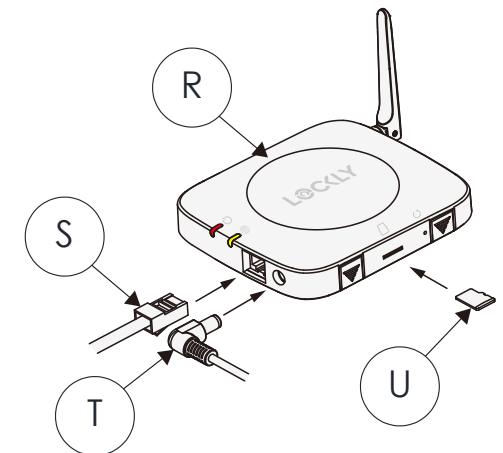
For best practices, (1) ground yourself by (a) touching a metal surface to discharge any ESD you might have; (b) changing clothes if you are sparky; and (2) avoid touching the internal pins.

# INSTALLATION OVERVIEW AND PARTS LIST



## Parts List

Labeled As	Description
A	Keys
B	Exterior Assembly
C	Exterior
D	Mounting Plate
E	Adhesive
F	PM5x60mm Screw
G	Interior Assembly
H	PM4*12MM Screw
I	Battery Cover
J	Deadbolt
K	KA4*20MM Screw
L	Strike Plate
N	Dust Box
P	Wired Sensor
Q	Sensor Magnet
R	Vision Connect
S	LAN Cable
T	Power Plug
U	TF Card
V	Activation Card



Lockly Vision™ can be fitted for both right swing doors and left swing doors.





## STEP 1: PREPARE DOOR FOR INSTALLATION

**1.1:** To complete installation, you would need the following:



Flathead Screwdriver

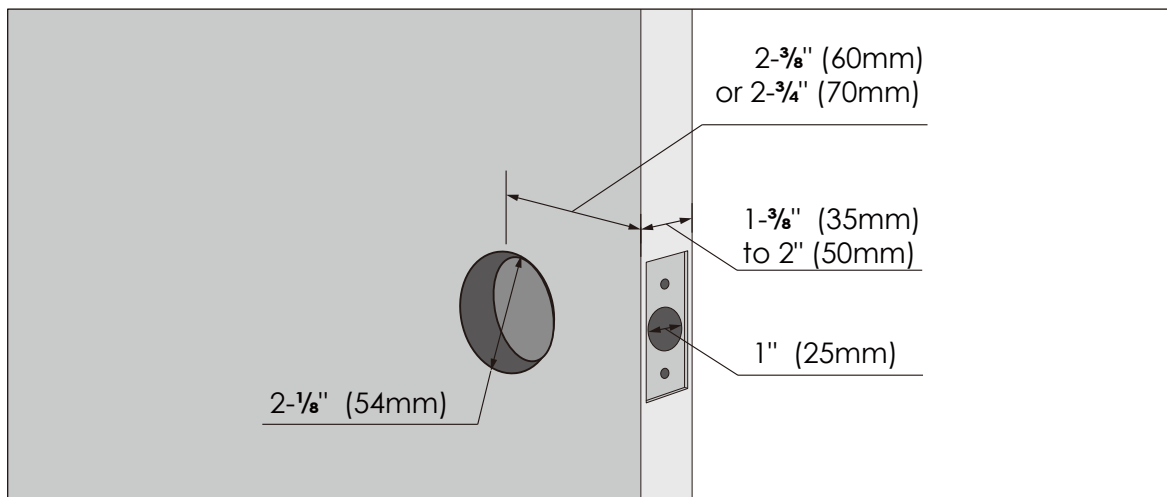


Phillips Screwdriver



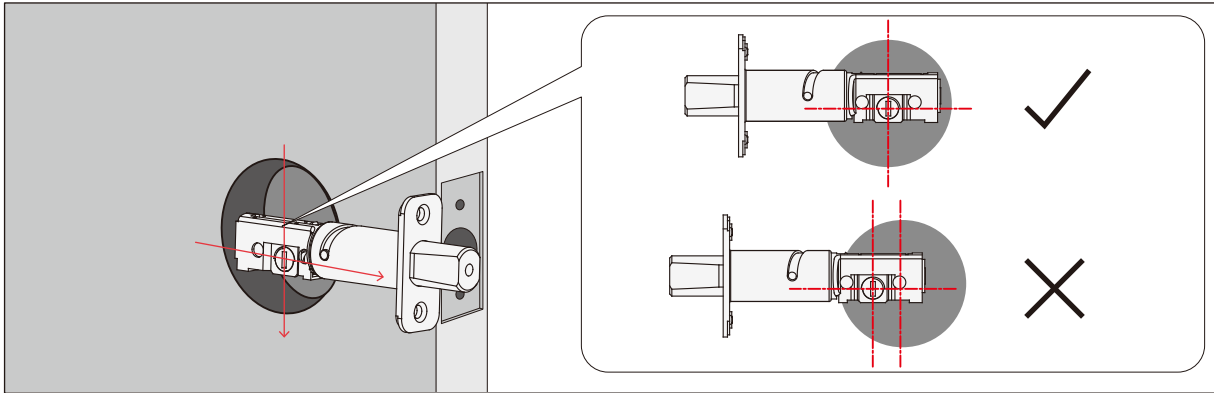
Ruler

**1.2:** Prepare door and remove existing lock. If necessary, use provided Installation Template to prepare door.

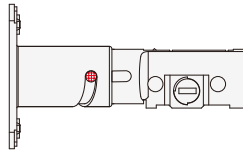


## STEP 2. ADJUST DEADBOLT AND INSTALL

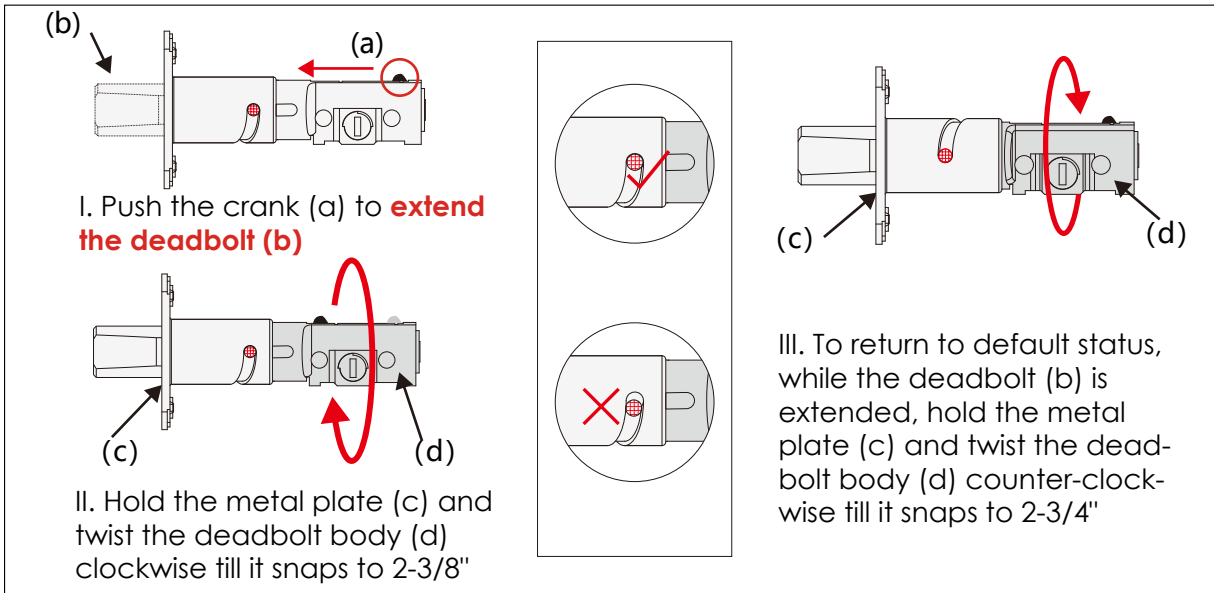
**2.1** Deadbolt slit hole must be aligned to the center of the door hole. If not adjust as shown below:



**2.1.1** Wear gloves during adjustment to prevent pinching your hands

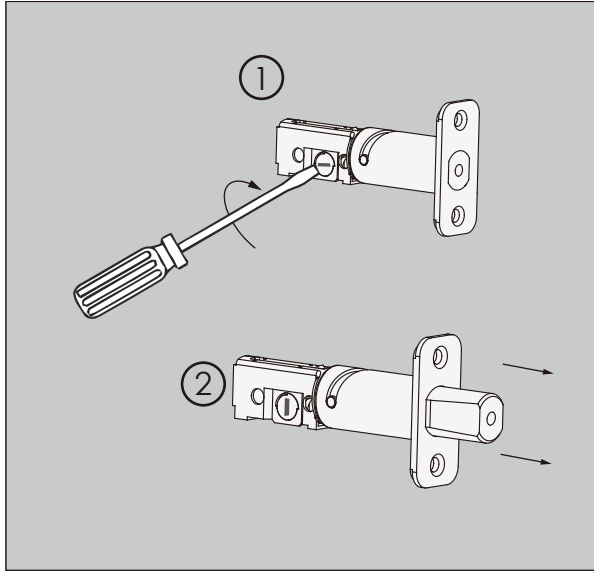


Deadbolt at 2-3/4" (70mm)  
(default shipping status)

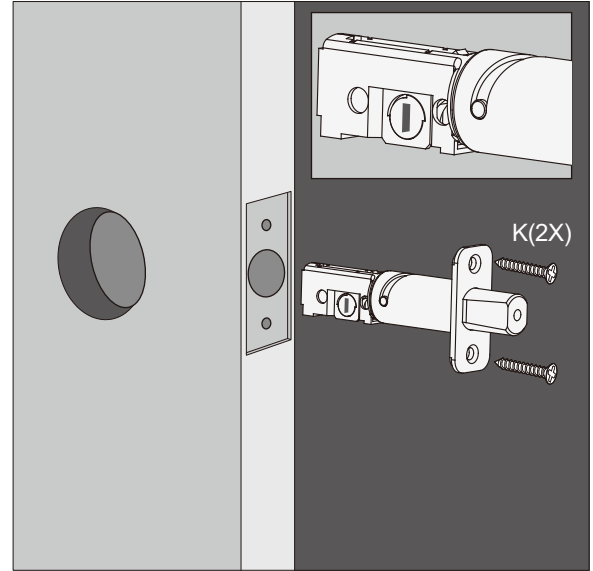


## STEP 2. ADJUST DEADBOLT AND INSTALL

**2.2** Extend the deadbolt by inserting a flat head screwdriver on the slit hole or by pushing the crank towards the metal face plate.

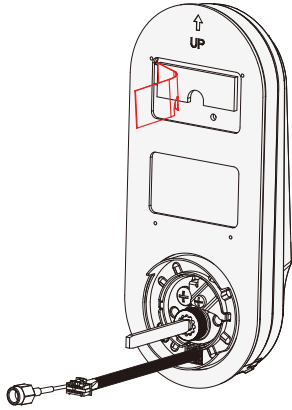


**2.3** Insert the Deadbolt to the edge door hole, make sure that its right side is up and the slit hole is in vertical position, then secure with 2 screws (K)

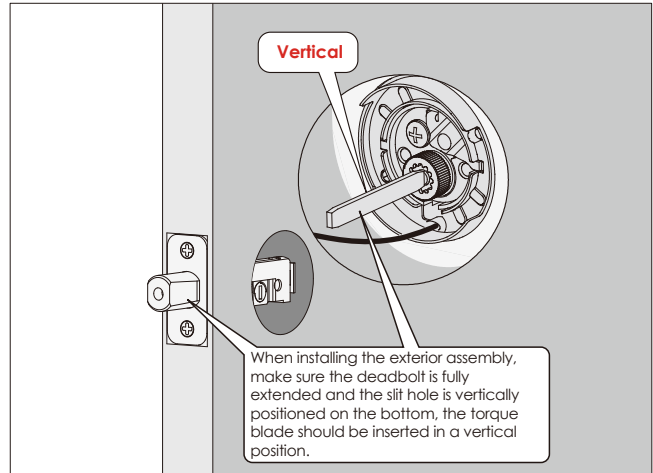


### STEP 3. INSTALLING THE EXTERIOR ASSEMBLY (B)

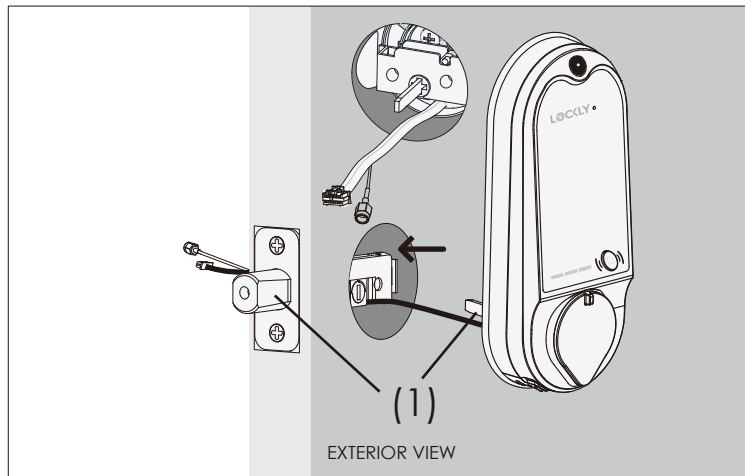
**3.1:** Check the Exterior Assembly alignment to your door hole and deadbolt, before you peel off the cover of the adhesive strip.



**3.2:** Before placing the exterior assembly on the door, make sure the torque blade is in vertical position and the deadbolt is extended.

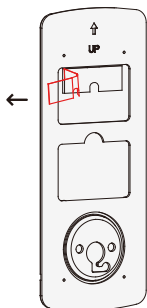


**3.3:** Place the exterior assembly on the door by inserting the torque blade on a vertical position to the deadbolt slit hole and guide the cable under the deadbolt. Secure with the adhesive strips.

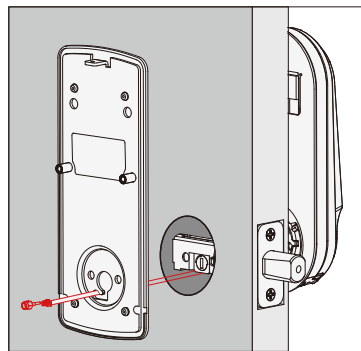




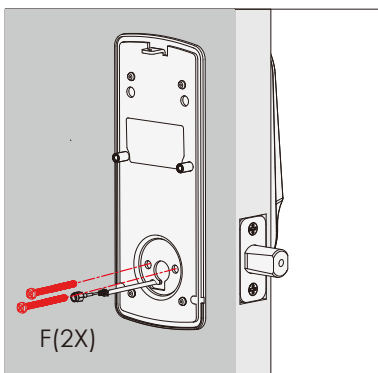
## STEP 4. INSTALLING THE INTERIOR ASSEMBLY (G)



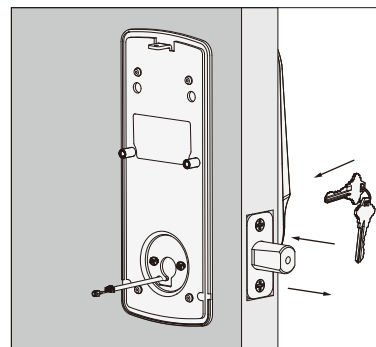
**4.1:** Check the mounting plate alignment to your door hole before you peel of the cover off the adhesive strip.



**4.2:** Place the mounting plate on the interior side of the door. Guide the cable to the opening ear on the side of mounting plate and make sure the torque blade is at the center of the mounting plate.



**4.3:** Without using any tools, insert 2 screws (F) on the side of the torque blade. By using hand carefully, turn the screws clockwise to catch the thread, then counter clockwise to make sure they are not cross threaded and turns smoothly. Make five turns before using a screw driver to tighten the screws until the mounting plate is securely placed to the door.



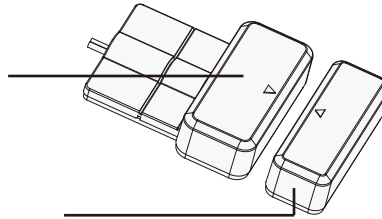
**4.4:** After securing the mounting plate, use the physical key and try to unlock/lock to check if the deadbolt is moving and not stuck. Do not forget to take out the key before proceeding to next steps.

## STEP 5. PREPARING DOOR SENSORS FOR INSTALLATION

> Do not install the door sensors yet. You will install the sensors on STEP 8

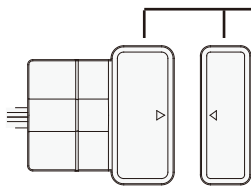
Lockly Vision™ comes with a pre-installed door sensors consisting of two parts:

Part P - Wired Sensor



Part Q - Sensor Magnet

Make sure you install the Door Sensors indoors on a clean and dry surface. Gently wipe the surface of your door and door frame before installing.



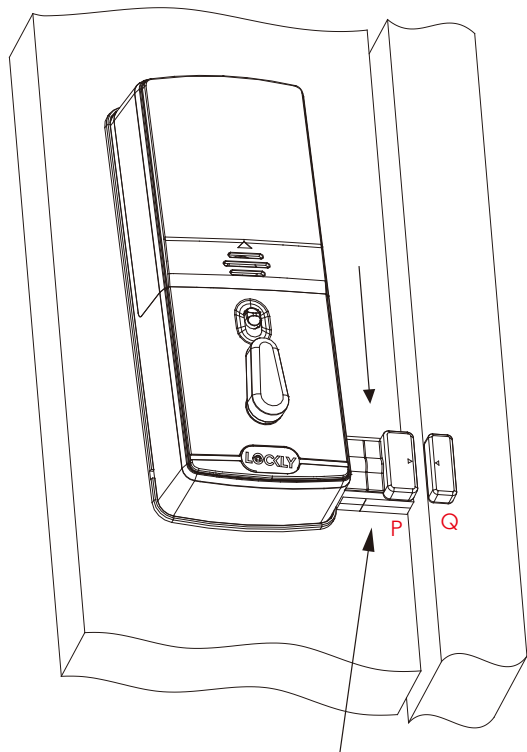
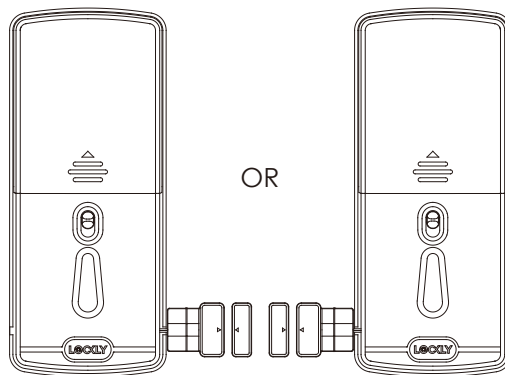
**IMPORTANT: Gap must be less than 3/4" when installed.**

When installed on your door, the distance between the wired sensor and sensor magnet must be less than 3/4" in order for the sensor to work. When door frame is higher than the door panel, add included foam pads at the bottom of the wired sensor to reduce its distance from the sensor magnet at the bottom of the wired door sensor.

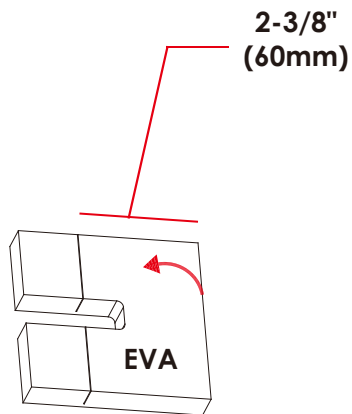
\* The Door Sensors provide the ability to verify if door is securely closed. It also sends push notifications to your phone whenever your door opens. If you intend to use Amazon Alexa or Google Assistant, ensure the door sensors are properly installed to acknowledge your voice commands and to have the correct responses.

## STEP 5. PREPARING DOOR SENSORS FOR INSTALLATION

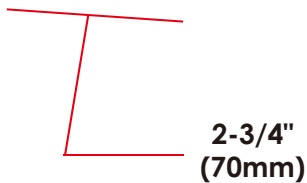
When you are installing the door sensors, make sure the arrow of the wired sensor (P) is placed next to the arrow of the sensor magnet (Q) as close as possible.



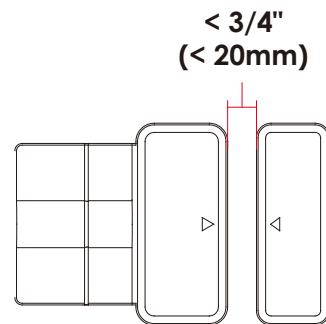
If needed add Foam Pads to level P & Q as much as possible.



2-3/8"  
(60mm)



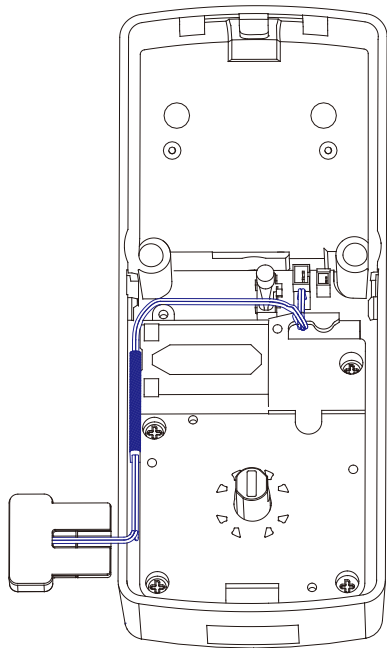
2-3/4"  
(70mm)



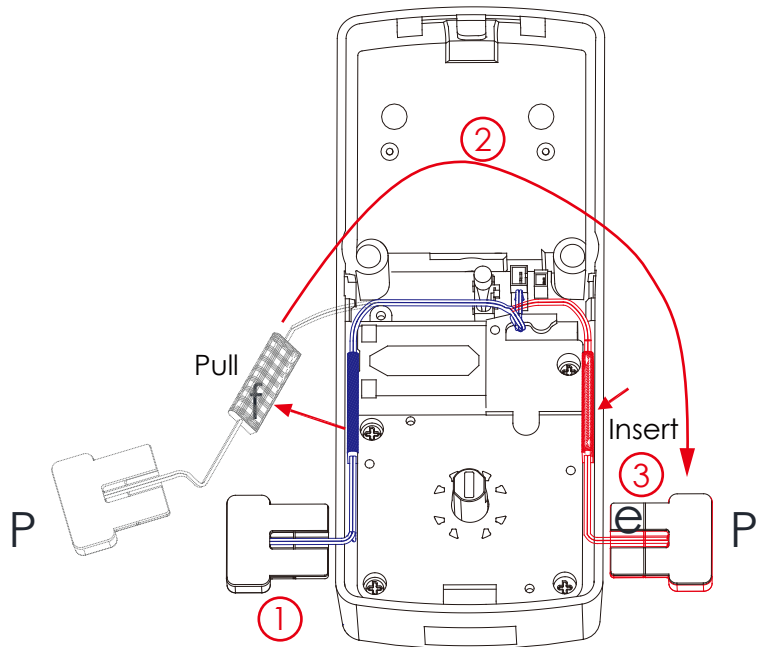
< 3/4"  
(< 20mm)

## STEP 5. PREPARING DOOR SENSORS FOR INSTALLATION

**5.1** The Interior assembly comes with pre-installed wired door sensor for right swing doors with 2 3/4" (70mm) backset\*. Discard the excess part (e) for doors with 2 3/8" (60mm) backset as shown below:



**5.2** For left swing doors, re-route the door sensor wire through the side channel. Pull the foam pad (f) then re-insert to secure the wire. Discard the excess part (e) for doors with 2 3/8" (60mm) backset as shown below:

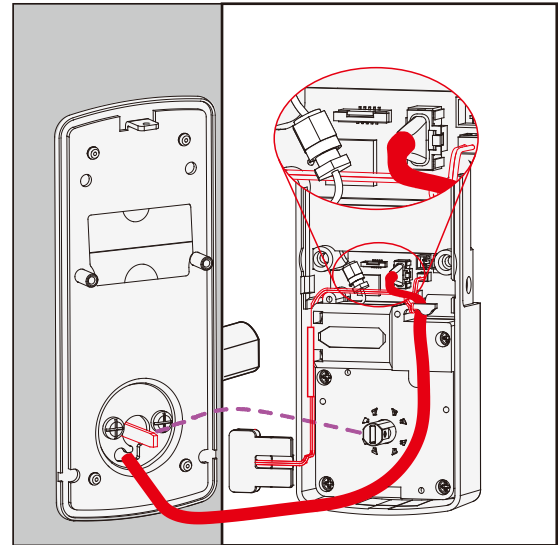
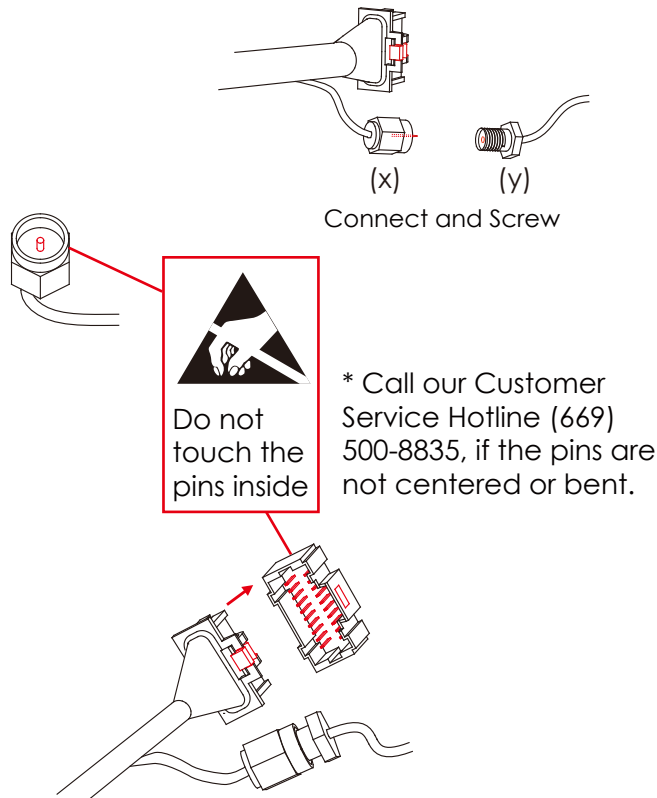


\*Backset - measure the distance of the door edge to the center of the door hole.

DO NOT INSTALL THE SENSORS YET >

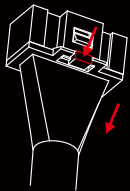
## STEP 6. INSTALLING THE INTERIOR ASSEMBLY (G)

**6.1** From the cable coming from the **external assembly (PART B)**, plug the small cable connector x to y and screw tightly as shown:



**6.2** Plug the larger cable that is coming through the door into the **Interior (PART G)** lock. Match the red side of the plug with the red on the socket. Ensure it is inserted tightly.

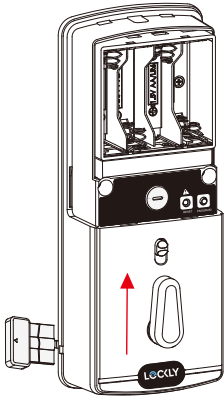
Tuck the cable under the hook and route it to the right as shown.



**NOTE:** In case you need to reinstall the lock and disconnect the cable, make sure to press the snap to release the plug before carefully pulling it out. Do not force to pull the plug as this may result to lose connection and damaged the lock.

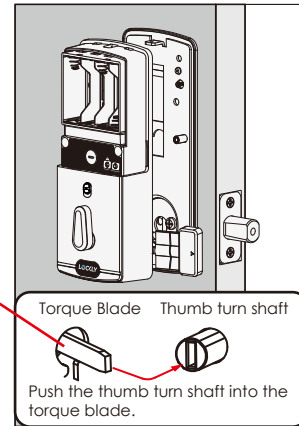
## STEP 6. INSTALLING THE INTERIOR ASSEMBLY (G)

**6.3** Before placing the interior assembly to the mounting plate, ensure the thumb turn is **vertical**.

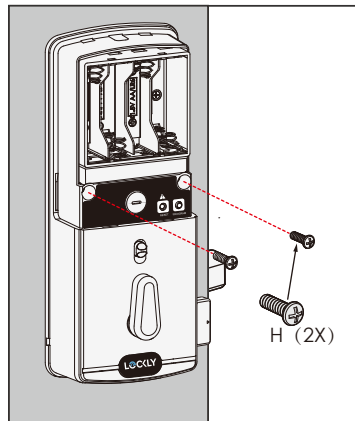


**6.4** Place the interior assembly against the mounting plate and make sure the torque blade is inserted to the thumb turn shaft.

**MAKE SURE IT IS IN THE VERTICAL POSITION**




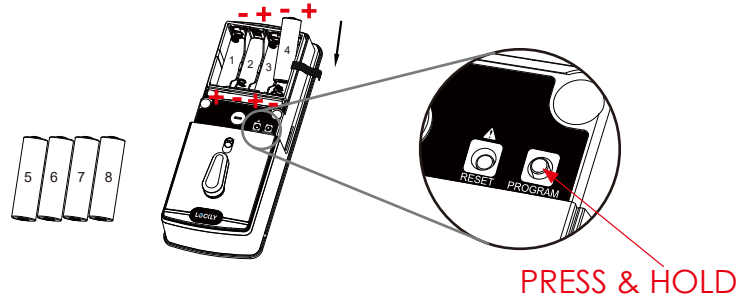
**6.5** Secure the interior assembly with 2 screws (H)



## STEP 7. INSTALLING BATTERIES

**7.1:** While the door is open and deadbolt is extended, **place the ribbon inside the compartment and insert only 3 batteries** at the bottom layer with correct polarities. Ensure the bolt is **FULLY EXTENDED**

**7.2 Press and hold the program button**  before inserting the 4th battery. The lock will automatically do a self-check. **RELEASE** the program button. The lock information will be shown on the touchscreen. The self-check process is very important to ensure the installation is done properly.

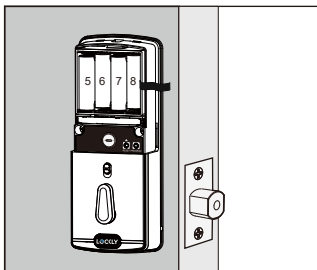


After the lock finished the self-check, do the 2-steps below to ensure your lock is properly installed:

1. Manually lock and unlock your door by using the thumb turn and the key to **make sure the deadbolt moves smoothly**. If you feel that there is a tight tension while you are turning, it means that the lock may have not been installed straight. **Go back to Step 2 and re-install the lock.**

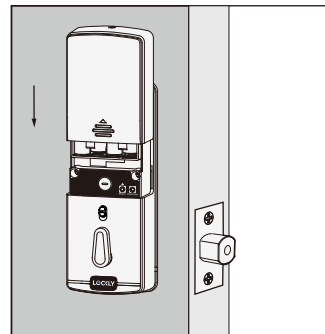
**IMPORTANT: If your lock is not properly installed, it will open and close repeatedly at times and/ or it will reduce battery life.**

**7.3:** After you checked that the lock manually lock and unlock properly and deadbolt moves smoothly, continue to install the last 4 batteries on the top layer of the battery compartment.



2. Swipe your hand across the touchscreen keypad, the lock will close. If the deadbolt bounces and unlocks automatically, it means that your lock was installed incorrectly. **Go back Step 2** to make sure your lock was installed with the **(a) deadbolt extended** and **(b) the torque blade was inserted vertically** while the deadbolt was extended.

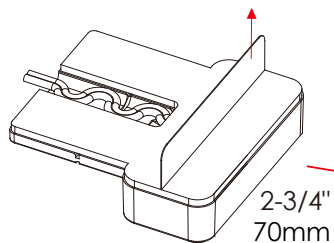
**7.4:** Install the Battery Cover (I) and secure with screw.



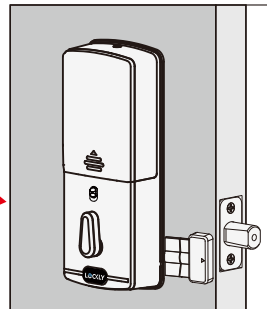
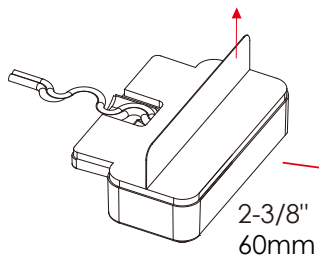
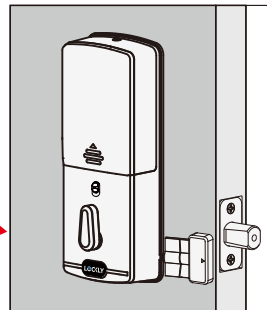
## STEP 8. INSTALLING THE DOORS SENSOR

**Make sure you have prepared the door sensors for installation according to Step 5**

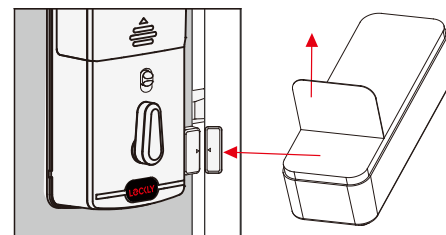
**8.1** Peel off the paper layer of the adhesives from the back of the wired sensor (P).



**8.2** Position the wired sensor (P) to the edge of the door. Attach and secure with the adhesives.



**8.3** Retract the deadbolt by turning the thumb turn, then close the door. Before you peel off the paper layer of the adhesives from the sensor magnet (Q), align the arrow with the wired sensor (P). Install Q on to door frame.



**NOTE:** The arrows must be aligned or as closed as possible (less than 3/4"). If needed, adjust the position of the sensor magnet using provided foam pads to ensure the LOCKLY® logo blinks red when door opens or closes.

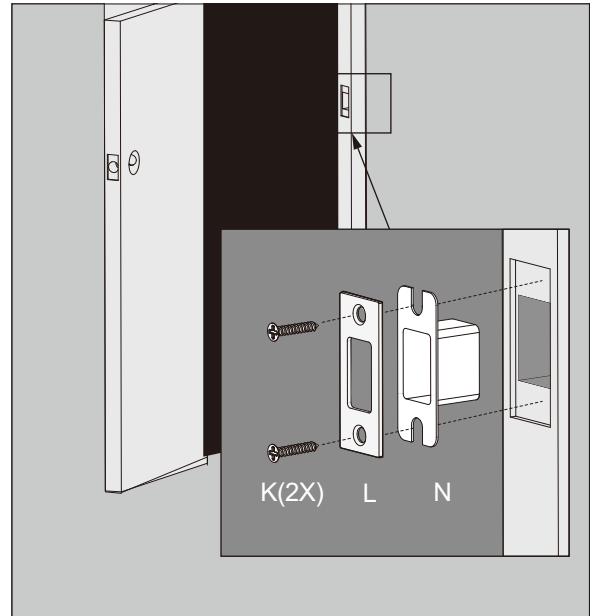


## STEP 9: INSTALLING THE DOOR STRIKE

### Install the door strike.

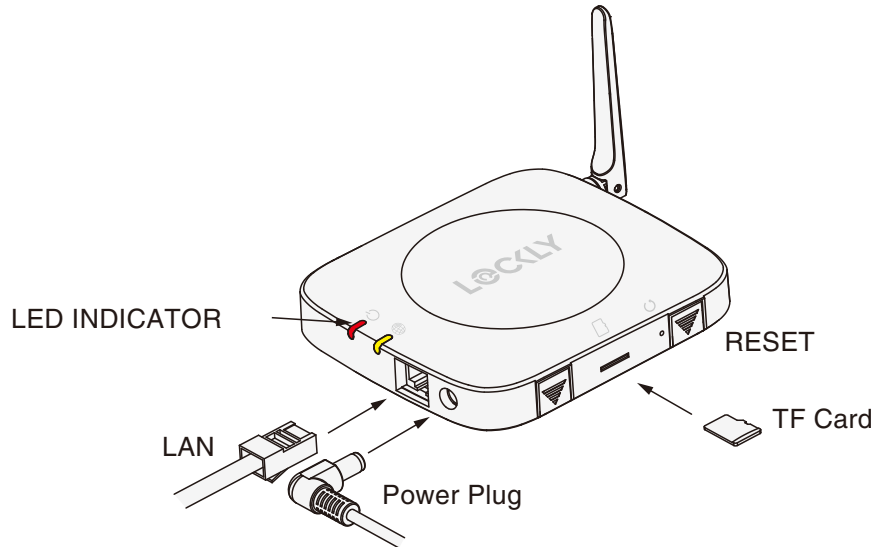
Install the door strike to your door frame and proceed to the last step of installation of your new lock. You may use our supplied door strike or use your existing door strike as long as the deadbolt moves smoothly in and out of the door strike.

As there are many types of doors, you may need to make slight adjustments so the deadbolt moves smoothly. **If anything is rubbing against the deadbolt when locking and unlocking, you may experience a warning sound (rapid beeping) indicating that the lock is experiencing misalignment or something is blocking the deadbolt.**



## STEP 10. VISION CONNECT SETUP

Congratulations, you are a few steps away from completing the setup of Lockly Vision™. To enable video doorbell, add Live Monitoring and voice control with Google Assistant or Amazon Alexa, you will need to setup the Vision Connect included in the box.



**IMPORTANT:** Vision Connect contains important video recording on the TF card, ensure your selected location is discreet or a secured area to protect the privacy of your video recording .

## STEP 10. VISION CONNECT HUB SETUP

**10.1:** Select a secure location to setup the Vision Connect. Choose the nearest Wi-Fi router to directly plug the LAN cable that comes with Lockly Vision™. The selected location is suggested to be less than <50 feet away from Lockly Vision™.

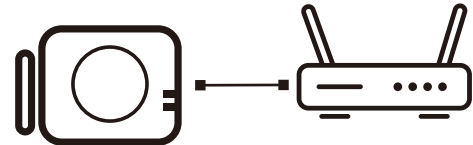
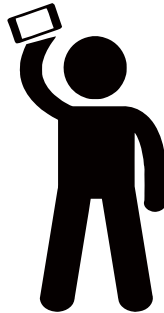
Lockly Vision™

You

Vision Connect

Wi-Fi Router

*Using an iOS or Android™ Device  
with Bluetooth & Wi-Fi enabled*



>3 feet (1 meter)  
above the ground

50 Feet (15 meters)



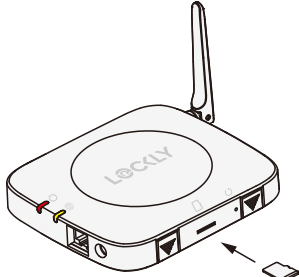
Distance Between

**NOTE:** Distance between Lockly® to Vision Connect may vary according to your home. If you're having issues with the setup, we are here to help. Call our customer care team: **(669) 500 8835** or visit <http://lockly.com/help> for suggested troubleshooting.

**IMPORTANT:** Lockly Vision™ is a 2.4Ghz device. To optimize your video streaming connect your other Wi-Fi devices to the 5.8Ghz network.

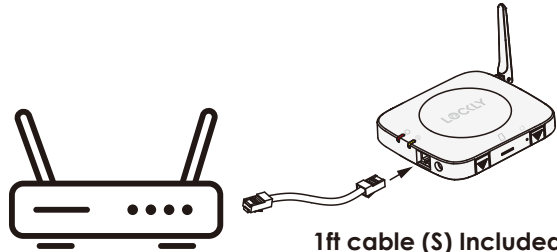
## STEP 10. VISION CONNECT HUB SETUP

**10.2:** Ensure the TF card that comes with Vision Connect is properly inserted.



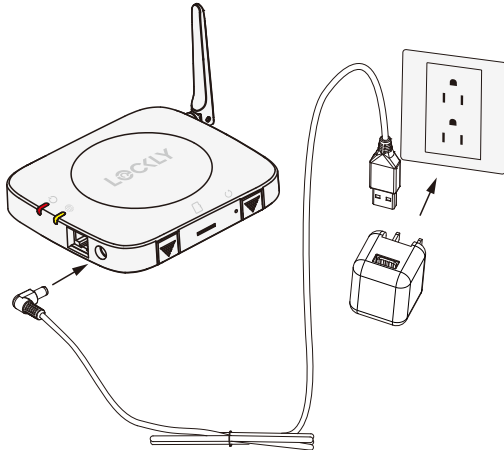
**TF card is included**

**10.3:** Ensure to plug the LAN cable to the nearest Wi-Fi router to Lockly Vision™.

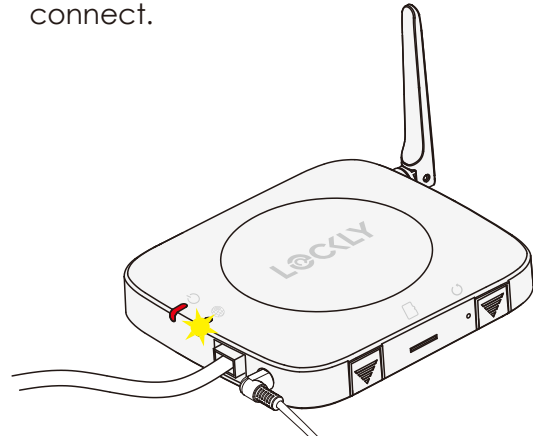


**1ft cable (\$) Included**

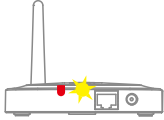


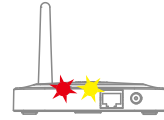
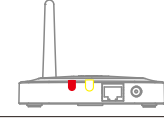




**10.4:** Plug the USB adapter to a wall socket.



**10.5:** After connecting to power, wait for 2 minutes for Vision Connect to self calibrate. Once the LEDs turned RED and blinking yellow, Vision is ready to connect.



**IMPORTANT:** Refer to Vision Connect Troubleshooting Guide if the LEDs do not meet the described conditions.

Vision Connect Troubleshooting Guide		LED INDICATOR	STATUS
During Setup	Solid Red ON	After you plug in the LAN cable and Power adapter, and wait for 2mins for Vision Connect to self calibrate. 	Power ON/ Successfully paired
	Yellow Slow Blinking	 <b>READY TO CONNECT</b>	Network Connected
	Red Slow Blinking		Pairing   Network NOT yet Connected
	Red Fast Blinking		Pairing Unsuccessful
	Yellow OFF		Router or LAN cable issue NO Network Connection
	Blinking from Red to Blue , Then OFF		Resetting
During Firmware Update	Blue Slow Blinking		Update in Progress*
	Blue ON		Update Successful
	Blinking from Red to Blue		Update Failed

\* Power interruption during firmware update may damage the Vision Connect hub. Do not interrupt or turn the power off while firmware update is in progress.

## STEP 11. PAIRING LOCKLY VISION™

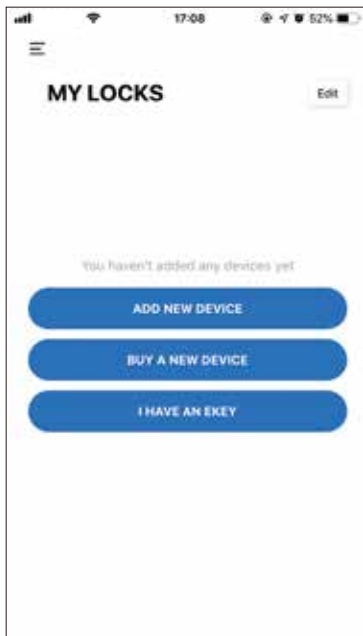
You have completed the Lockly Vision™ and Vision Connect installation and setup. Now you're ready to pair your lock.

**11.1:** Download the Lockly® App and register an account.



Scan or visit [Lockly.com/app](https://lockly.com/app)

**11.2:** After you have you successfully registered an account, you can proceed to Add New Device and follow the step by step on screen instructions.



Scan QR code located on hub

**11.3:** When prompted, make sure you scan the small QR code located on the side or bottom of the Vision Connect to pair hub with lock.

### IMPORTANT REMINDERS:

1. Remember to register for warrant
2. Allow your mobile phone to receive push notification
3. Send in-app feedback if you encountered any issue while using the App.
4. Ensure your Lockly® App has the most updated firmware. For more info, visit:  
<http://www.support.lockly.com/faq/firmware-update/>

The Lockly Vision™ also works with other Smart Home devices. Check on the status or remotely lock and unlock your door with your voice using Amazon Alexa or Google Assistant.



To setup your lock to work with either voice assistant, download the Amazon Alexa or Google Home App and add a new skill with Amazon Alexa or the Action for Google Assistant.

**Add the “Lockly®” Skill for Alexa or the Action for Google Assistant then follow on screen instructions to finish setup.**

**For a full list of commands, help videos or to troubleshoot your Secure Link Wi-Fi Hub visit us at <https://lockly.com/help>**

Google, Android and Google Play are trademarks of Google LLC.



**Certified**

**FCC Warning :**

This device complies with Part 15 of the FCC Rules. Operation is subject to the following two conditions: (1) This device may not cause harmful interference, and (2) this device must accept any interference received, including interference that may cause undesired operation.

**NOTE 1:** This equipment has been tested and found to comply with the limits for a Class B digital device, pursuant to part 15 of the FCC Rules. These limits are designed to provide reasonable protection against harmful interference in a residential installation. This equipment generates, uses and can radiate radio frequency energy and, if not installed and used in accordance with the instructions, may cause harmful interference to radio communications. However, there is no guarantee that interference will not occur in a particular installation. If this equipment does cause harmful interference to radio or television reception, which can be determined by turning the equipment off and on, the user is encouraged to try to correct the interference by one or more of the following measures:

- Reorient or relocate the receiving antenna.
- Increase the separation between the equipment and receiver.
- Connect the equipment into an outlet on a circuit different from that to which the receiver is connected.
- Consult the dealer or an experienced radio/TV technician for help.

**NOTE 2:** Any changes or modifications to this unit not expressly approved by the party responsible for compliance could void the user's authority to operate the equipment.

**FCC Radiation Exposure Statement**

Vision Connect complies with FCC radiation exposure limits set forth for an uncontrolled environment. It should be installed and operated with minimum distance 20cm between the radiator & your body.

**IC WARNING**

This device contains license-exempt transmitter(s) that comply with Innovation, Science and Economic Development Canada's licence-exempt RSS(s). Operation is subject to the following two conditions:



- (1) This device may not cause interference.
- (2) This device must accept any interference, including interference that may cause undesired operation of the device.


L'émetteur/récepteur exempt de licence contenu dans le présent appareil est conforme aux CNR d'Innovation, Sciences et Développement économique Canada applicables aux appareils radio exempts de licence. L'exploitation est autorisée aux deux conditions suivantes:

1. L'appareil ne doit pas produire de brouillage;
2. L'appareil doit accepter tout brouillage radioélectrique subi, même si le brouillage est susceptible d'en compromettre le fonctionnement.

### **IC Radiation Exposure Statement**

This equipment meets the exemption from the routine evaluation limits in section 2.5 of RSS-102. It should be installed and operated with a minimum distance of 20cm between the radiator and any part of your body.

Cet équipement est conforme à l'exemption des limites d'évaluation habituelle de la section 2.5 de la norme RSS-102. Il doit être installé et utilisé à une distance minimale de 20 cm entre le radiateur et toute partie de votre corps.

 **WARNING:** This product can expose you to chemicals including Lead, which is known to the State of California to cause cancer. For more information go to [www.P65Warnings.ca.gov](http://www.P65Warnings.ca.gov).

**LOCKLY VISION™**



**We're here to help!**  
**help@lockly.com**  
**<https://lockly.com/help>**





For the latest version of this manual, please visit the link below:

**<http://lockly.com/help>**