

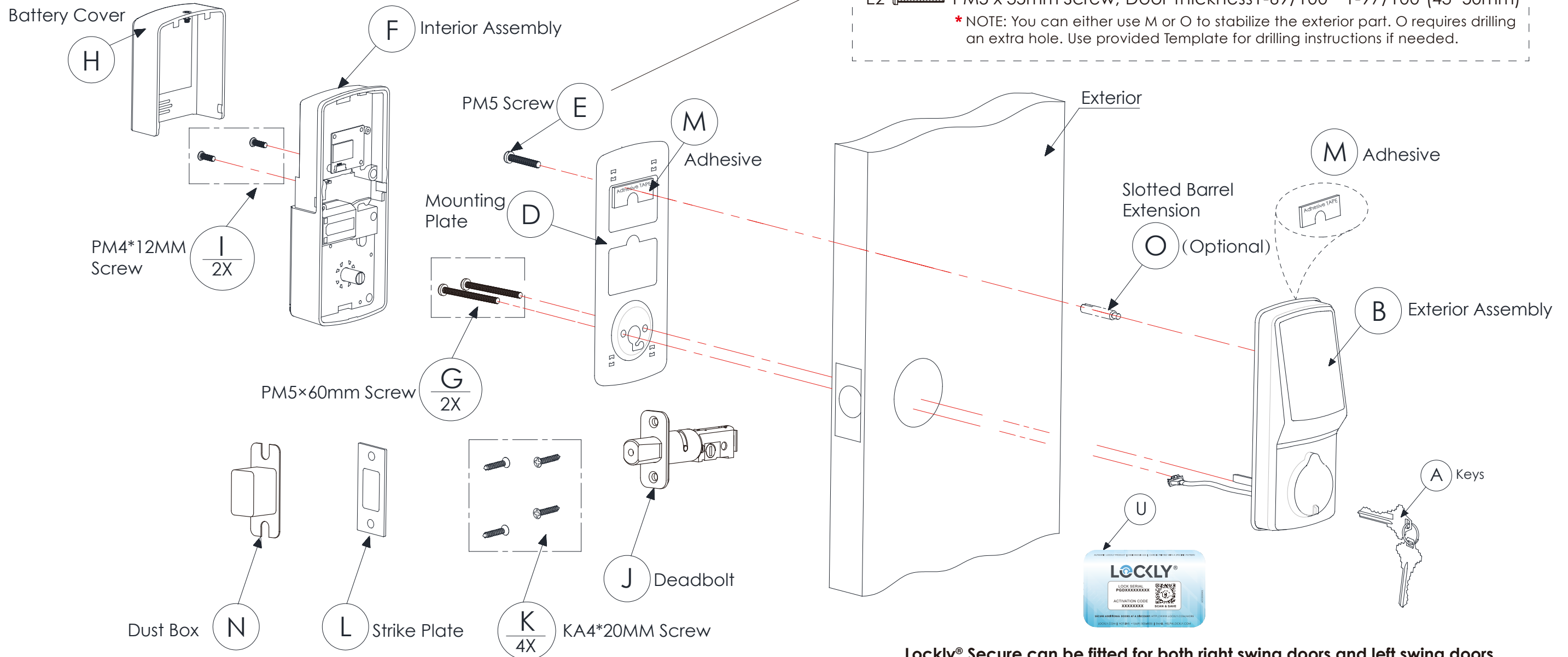
DEADBOLT EDITION



LOCKLY[®] SECURE

INSTALLATION MANUAL

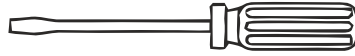
INSTALLATION OVERVIEW & PARTS LIST



Lockly® Secure can be fitted for both right swing doors and left swing doors.

STEP 1. PREPARE DOOR FOR INSTALLATION

1.1 To complete installation, you would need the following:



Flathead Screwdriver

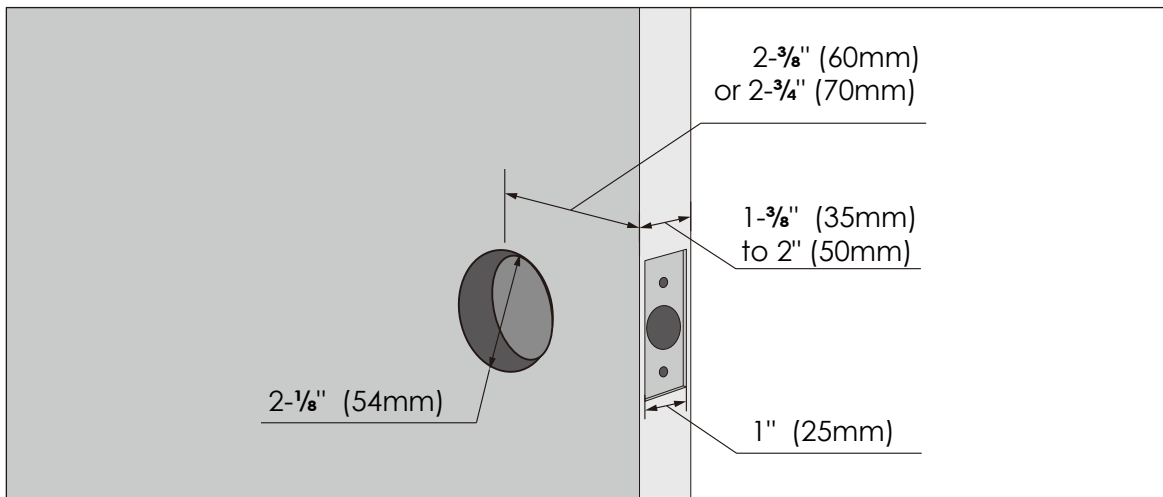


Phillips Screwdriver



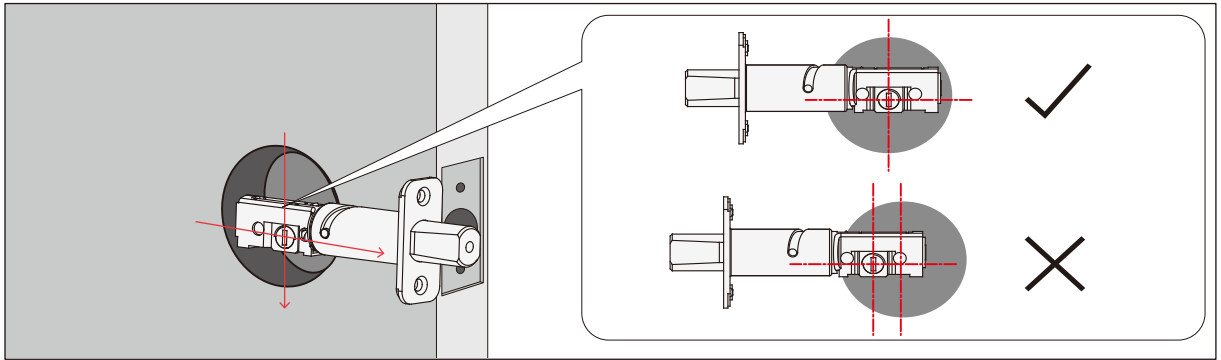
Ruler

1.2 Prepare door and remove existing lock. If necessary, use provided Installation Template to prepare door.

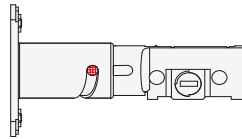


STEP 2. ADJUST DEADBOLT AND INSTALL

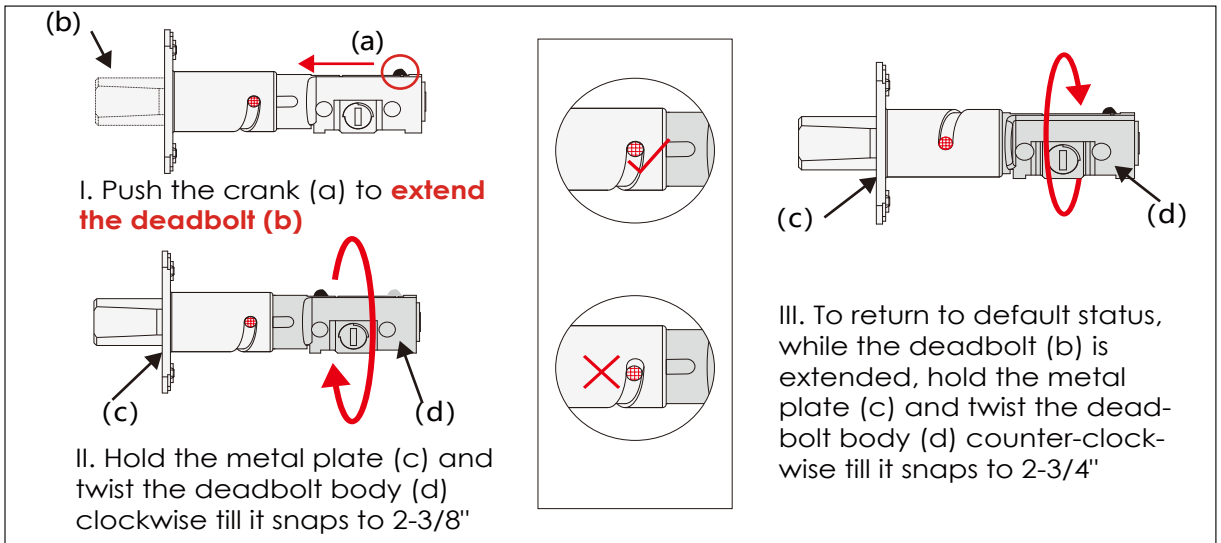
2.1 Deadbolt slit hole must be aligned to the center of the door hole. If not adjust as shown below:



2.1.1 Wear gloves during adjustment to prevent pinching your hands

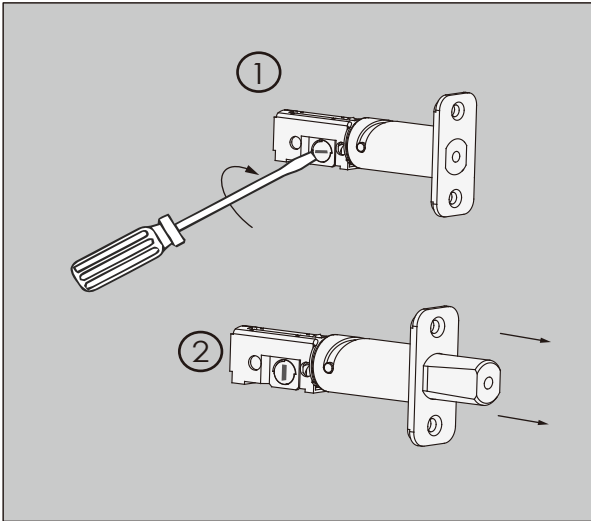


Deadbolt at 2-3/4" (70mm)
(default shipping status)

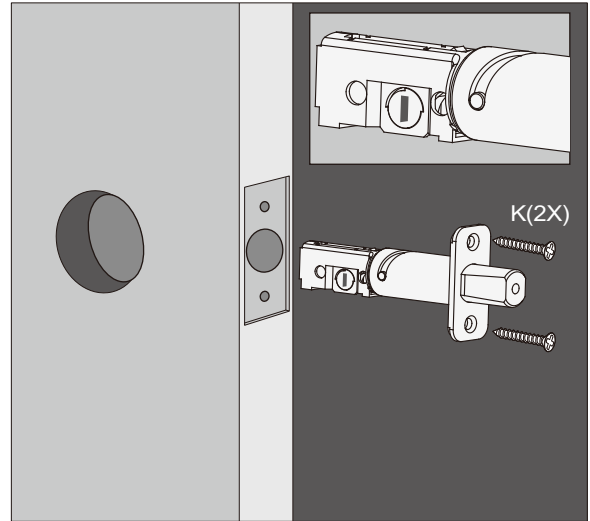


STEP 2. ADJUST DEADBOLT AND INSTALL

2.2 Extend the deadbolt by inserting a flat head screwdriver on the slit hole or by pushing the crank towards the metal face plate.

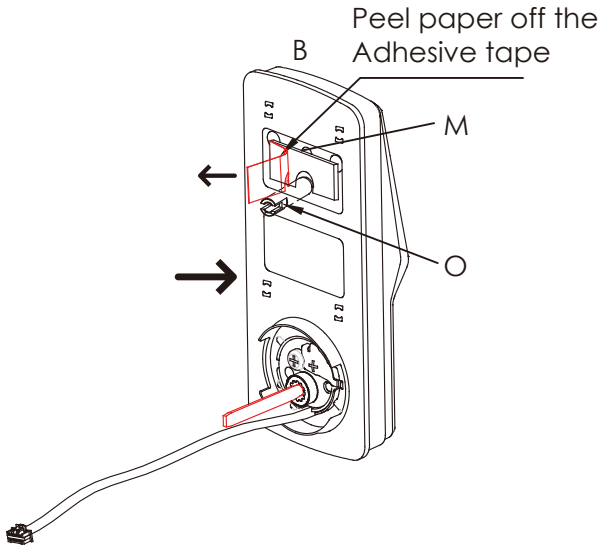


2.3 Insert the Deadbolt to the edge door hole, make sure that its right side up and the slit hole is in vertical position, then secure with 2 screws (K)



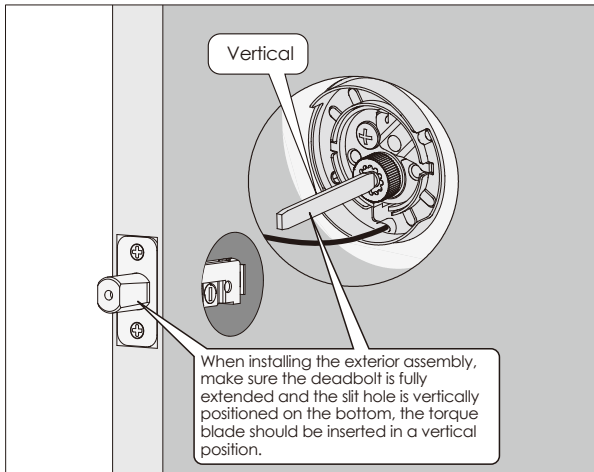
STEP 3. INSTALLING THE EXTERIOR ASSEMBLY

3.1 To secure Exterior Assembly of lock, peel the cover off the adhesive strips

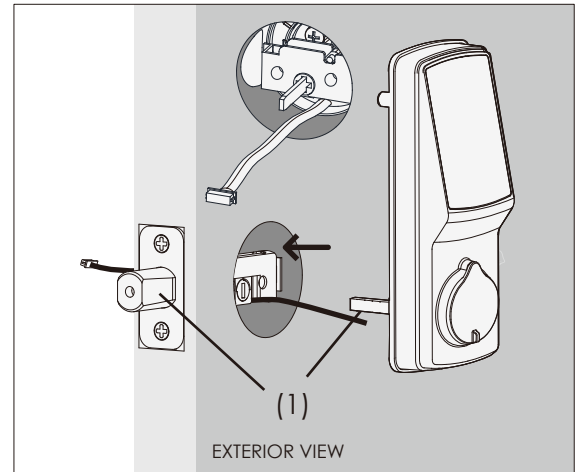


*This hole (O) is for the optional Slotted Barrel Extension provided for stabilizing your lock. It will require drilling extra hole on your door (See template as provided). Alternatively, you may use the double-sided adhesive tape provided which serves the same purpose if you do not want to drill a hole. If you drilled a hole, securely tighten the post with a flathead screwdriver by turning it clockwise before mounting on your door.

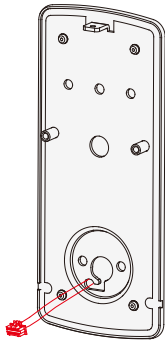
3.2 Before placing the exterior assembly on the door, make sure the torque blade is in vertical position and the deadbolt is extended.



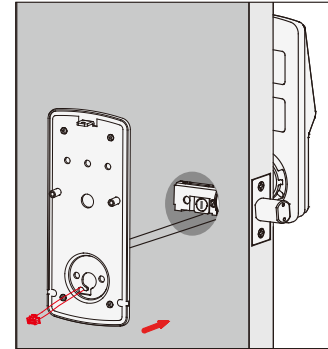
3.3 Place the exterior assembly on the door by inserting the torque blade on a vertical position to the deadbolt slit hole and guide the cable under the deadbolt. Secure with the adhesive strips.



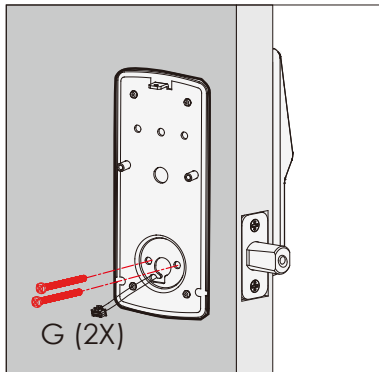
STEP 4. INSTALLING THE INTERIOR ASSEMBLY (F)



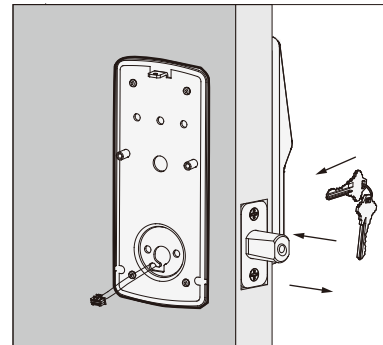
4.1: Check the mounting plate alignment to your door hole before you peel of the cover off the adhesive strip.



4.2: Place the mounting plate on the interior side of the door. Guide the cable to the opening ear on the side of mounting plate and make sure the torque blade is at the center of the mounting plate.



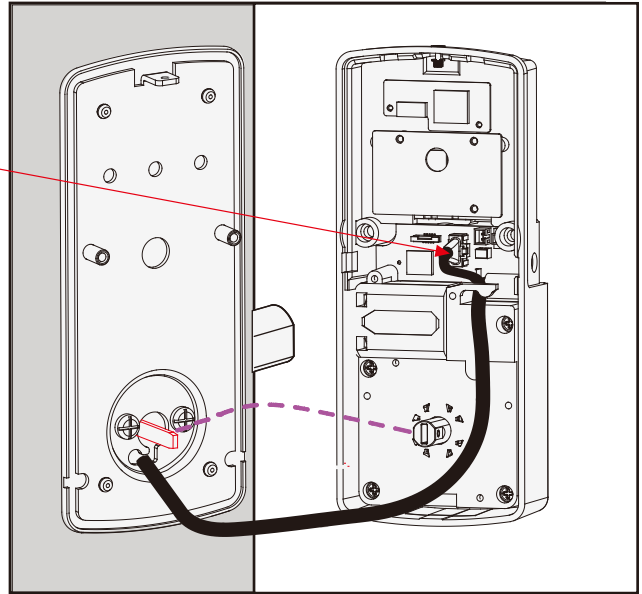
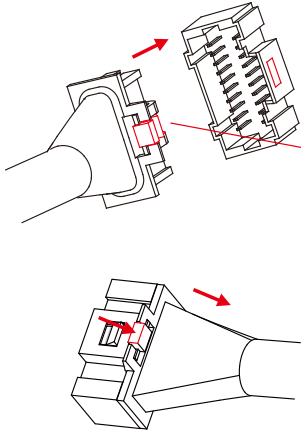
4.3: Without using any tools, insert 2 screws (G) on the side of the torque blade. By using hand carefully, turn the screws clockwise to catch the thread, then counter clockwise to make sure they are not cross threaded and turns smoothly. Make five turns before using a screw driver to tighten the screws until the mounting plate is securely placed to the door.



4.4: After securing the mounting plate, use the physical key and try to unlock/lock to check if the deadbolt is moving and not stuck. Do not forget to take out the key before proceeding to next steps.

STEP 5. INSTALLING THE INTERIOR ASSEMBLY (F)

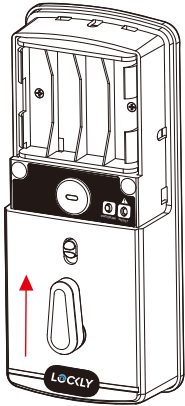
5.1 Plug the cable that is coming through the door into the Interior lock. Make sure you match the direction of the plug correctly and matching the red side of the plug with the red side on the lock. Secure the connection by ensuring the snap is inserted tightly.



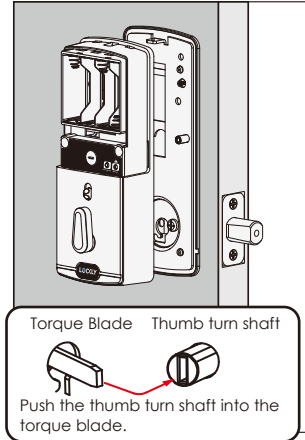
NOTE: In case you need to reinstall the lock and disconnect the cable, make sure to press the snap to release the plug before carefully pulling it out. Do not force to pull the plug as this may result to lose connection and damage the lock.

STEP 5. INSTALLING THE INTERIOR ASSEMBLY (F)

5.2 Before placing the interior assembly to the mounting plate, ensure the thumb turn is **vertical**.

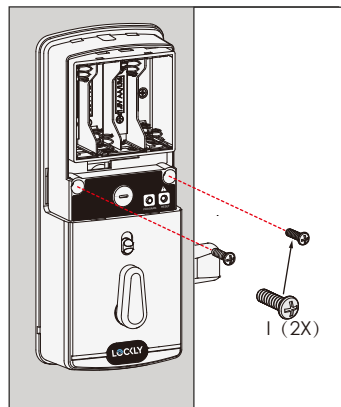


5.3 Place the interior assembly against the mounting plate and make sure the torque blade is inserted to the thumb turn shaft.

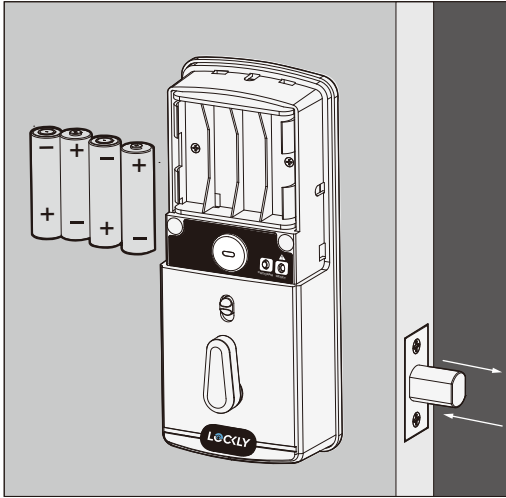



MAKE SURE IT IS IN THE VERTICAL POSITION

5.4 Secure the interior assembly with 2 screws (I)



STEP 6. INSTALLING BATTERIES



First install 3 of the 4 batteries. Before installing the last battery, press and hold the PROGRAM button  while installing the last battery until you hear a beep from Lockly®.

Lockly® will then perform a self check and the keypad screen will start to initiate. This self check will automatically determine and set your door lock to a left open or right open door.

After the lock finished the self-check, do the 2-steps below to ensure your lock is properly installed:

1. Manually lock and unlock your door by using the thumb turn and the key to **make sure the deadbolt moves smoothly**. If you feel that there is a tight tension while you are turning, it means that the lock may have not been installed straight. **Go back to Step 2 and re-install the lock.**

IMPORTANT: If your lock is not properly installed, it will open and close repeatedly at times and/or it will reduce battery life.

2. Brush your hand across the screen on the outside. The lock will close. If your lock automatically unlocks after it has been locked, it means that your lock was installed incorrectly. **Go back Step 2** to make sure your lock was installed with the **(a) deadbolt extended** and (b) the **torque blade was inserted vertically** while the deadbolt was extended.

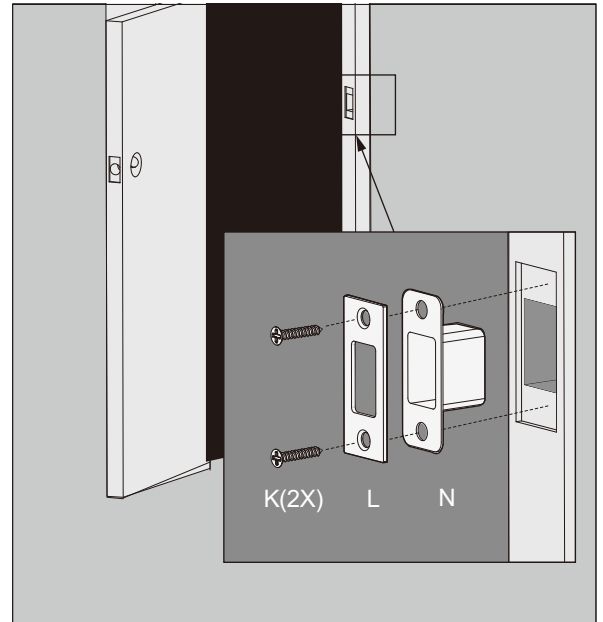
After you checked that the lock manually lock and unlock properly and deadbolt moves smoothly, install the Battery Cover (H) and secure with screw.

STEP 7. INSTALLING DOOR STRIKE

Install the door strike.

Install the door strike to your door frame and proceed to the last step of installation of your new lock. You may use our supplied door strike or use your existing door strike as long as the deadbolt moves smoothly in and out of the door strike.

As there are many types of doors, you may need to make slight adjustments so the deadbolt moves smoothly. **If anything is rubbing against the deadbolt when locking and unlocking, you may experience a warning sound (rapid beeping) indicating that the lock is experiencing misalignment or something is blocking the deadbolt.**



STEP 8. DOWNLOAD LOCKLY® APP

Congratulations! You have completed the Lockly® Secure physical lock installation. To complete your setup, download the Lockly® app from the iOS or Google Play app Store and follow on-screen instructions.



Scan or visit Lockly.com/app



You can add live status monitoring and voice control capabilities to your Lockly® Smart Lock with Amazon Alexa or Google Assistant via installing the Secure Link Wi-Fi Hub and Door Sensors (Sold Separately)



Know it's Closed.

Wireless Door Sensors

No more worries wondering if your door was shut when you locked your door. Included is a set of wireless door sensors that can provide accurate information on the status of your door. Whether it's securely shut or still open.



Connected.

Always In The Know

Lock, unlock, and monitor your smart lock remotely, whenever, wherever. The 2.4 GHz (802.11 b/g/n) Wi-Fi enabled hub connects seamlessly to your smart lock and app, and provides live updates whenever you need them including live access history without connecting via Bluetooth to the lock.



Smart Home Integration

Amazon Alexa or Google Assistant

Configure your voice commands in your Alexa or Google Assistant app to work with your smart lock. Give commands like "Is my front door locked?" or "Lock my front door"

Get one now to enable the above features.

<https://lockly.com/hub>



Certified

FCC Warning:

This device complies with Part 15 of the FCC Rules. Operation is subject to the following two conditions: (1) This device may not cause harmful interference, and (2) this device must accept any interference received, including interference that may cause undesired operation.

NOTE 1: This equipment has been tested and found to comply with the limits for a Class B digital device, pursuant to part 15 of the FCC Rules. These limits are designed to provide reasonable protection against harmful interference in a residential installation. This equipment generates, uses and can radiate radio frequency energy and, if not installed and used in accordance with the instructions, may cause harmful interference to radio communications. However, there is no guarantee that interference will not occur in a particular installation. If this equipment does cause harmful interference to radio or television reception, which can be determined by turning the equipment off and on, the user is encouraged to try to correct the interference by one or more of the following measures:

- Reorient or relocate the receiving antenna.
- Increase the separation between the equipment and receiver.
- Connect the equipment into an outlet on a circuit different from that to which the receiver is connected.
- Consult the dealer or an experienced radio/TV technician for help.

NOTE 2: Any changes or modifications to this unit not expressly approved by the party responsible for compliance could void the user's authority to operate the equipment.

FCC Radiation Exposure Statement

The Secure Link Wi-Fi Hub complies with FCC radiation exposure limits set forth for an uncontrolled environment. It should be installed and operated with minimum distance 20cm between the radiator & your body.

IC WARNING

This device contains licence-exempt transmitter(s) that comply with Innovation, Science and Economic Development Canada's licence-exempt RSS(s). Operation is subject to the following two conditions:

(1) This device may not cause interference.

(2) This device must accept any interference, including interference that may cause undesired operation of the device.

L'émetteur/récepteur exempt de licence contenu dans le présent appareil est conforme aux CNR d'Innovation, Sciences et Développement économique Canada applicables aux appareils radio exempts de licence. L'exploitation est autorisée aux deux conditions suivantes:

1. L'appareil ne doit pas produire de brouillage;

2. L'appareil doit accepter tout brouillage radioélectrique subi, même si le brouillage est susceptible d'en compromettre le fonctionnement.

IC Radiation Exposure Statement

This equipment meets the exemption from the routine evaluation limits in section 2.5 of RSS-102. It should be installed and operated with a minimum distance of 20cm between the radiator and any part of your body.

Cet équipement est conforme à l'exemption des limites d'évaluation habituelle de la section 2.5 de la norme RSS-102. Il doit être installé et utilisé à une distance minimale de 20 cm entre le radiateur et toute partie de votre corps.



WARNING: This product can expose you to chemicals including Lead, which is known to the State of California to cause cancer. For more information go to www.P65Warnings.ca.gov.

LOCKLY[®] SECURE



We're here to help!
help@lockly.com
<https://lockly.com/help>



For the latest version of this manual, please visit the link below:

<http://lockly.com/help>