

LOCKLY[®] SECURE

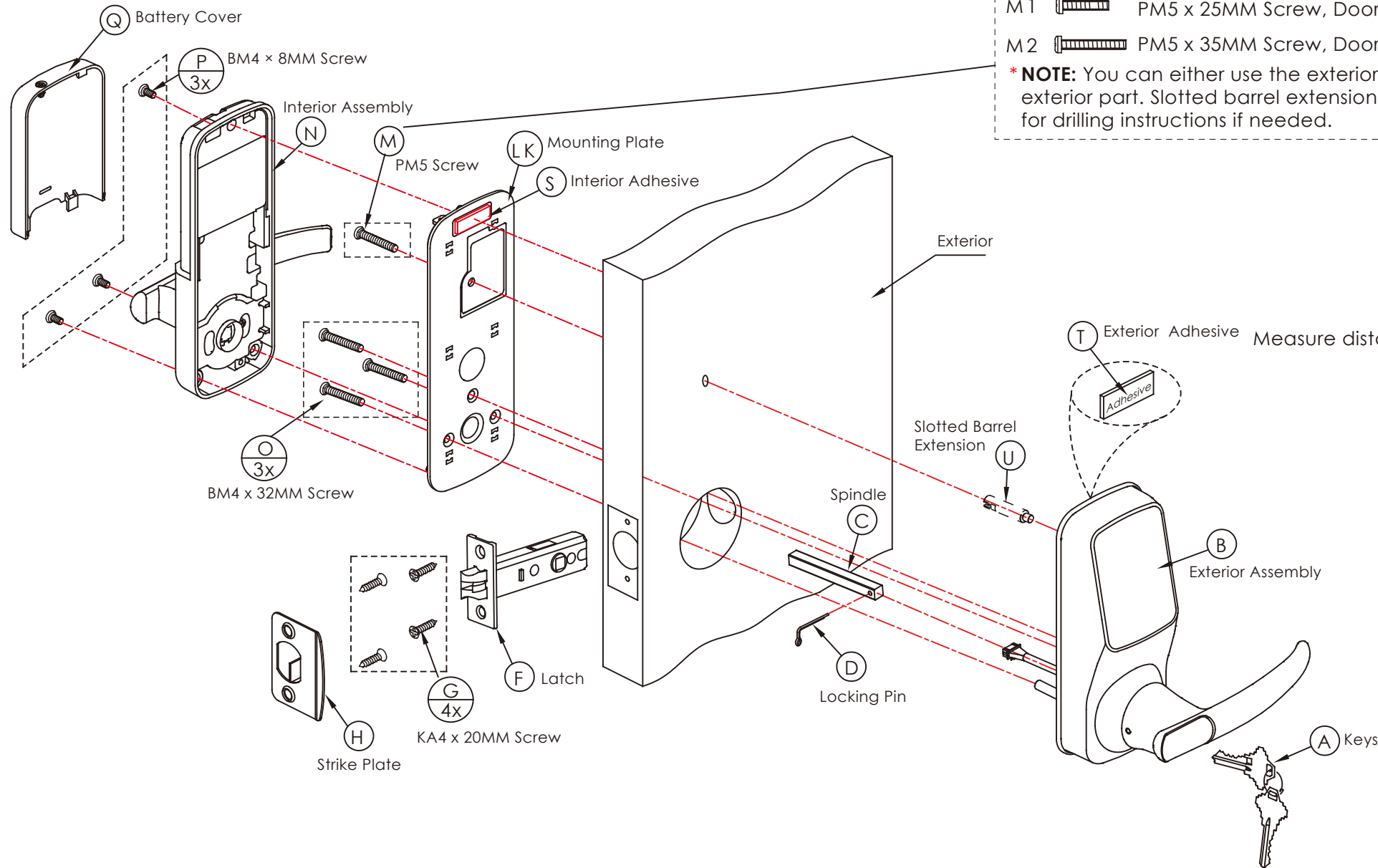



INSTALLATION MANUAL


LATCH EDITION

INSTALLATION OVERVIEW & PARTS LIST

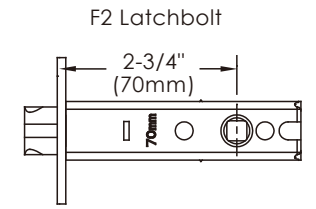
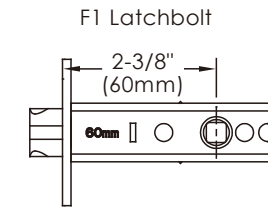
This lock can be installed for both right swing and left swing doors. The lock ships ready for a right swing door installation. If you wish to change the orientation of the lock for a Left Swing door, go to **Step 3** for instructions.



M1  PM5 x 25MM Screw, Door thickness 1-19/50"~1-69/100"(35~43mm)

M2  PM5 x 35MM Screw, Door thickness 1-69/100"~1-97/100"(43~50mm)

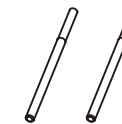
* **NOTE:** You can either use the exterior adhesive **(T)** or slotted barrel extension **(U)** to stabilize the exterior part. Slotted barrel extension **(U)** requires drilling an extra hole. Use provided Template for drilling instructions if needed.



Measure distance between the center of the hole to the edge of door:
Use F1 if 2-3/8"(60mm) or F2 if 2-3/4"(70mm)



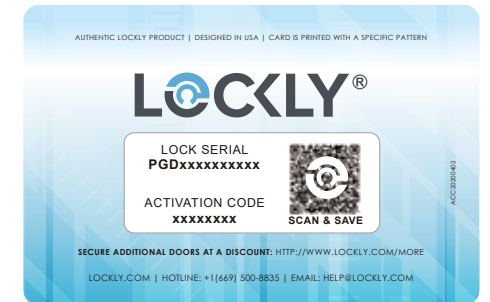
(R) Clamping Tool
For changing handle orientation



2x Positioning Rod
For installing mounting plate **(LK)**



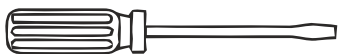
Activation Card



GETTING STARTED - YOU WILL NEED

All the parts you need to install the Lockly® Secure Latch Edition is included in your package. You will require the following tools with some optional items for ease of installation.

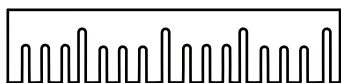
Required Tools



Flathead Screwdriver

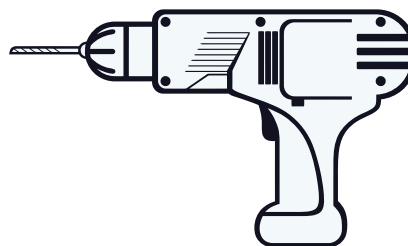


Phillips Screwdriver

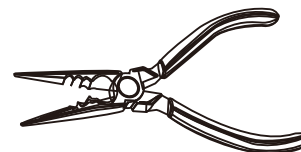


Ruler

Optional



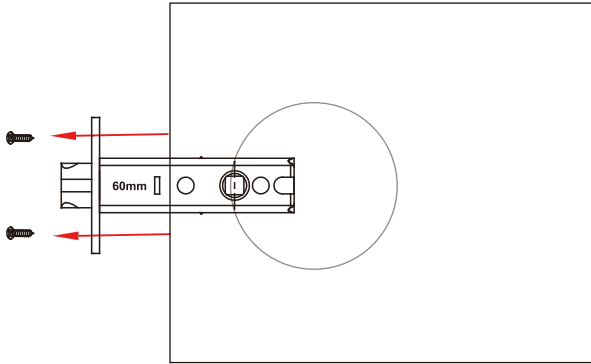
Screwdriver with drill bits



Pliers

Drilling is not required to install the lock, and is optional. However if you are installing your lock on a brand new door, a drill is required if there are no holes prepared for lock installation.

STEP 1: PREPARING THE DOOR



1.1

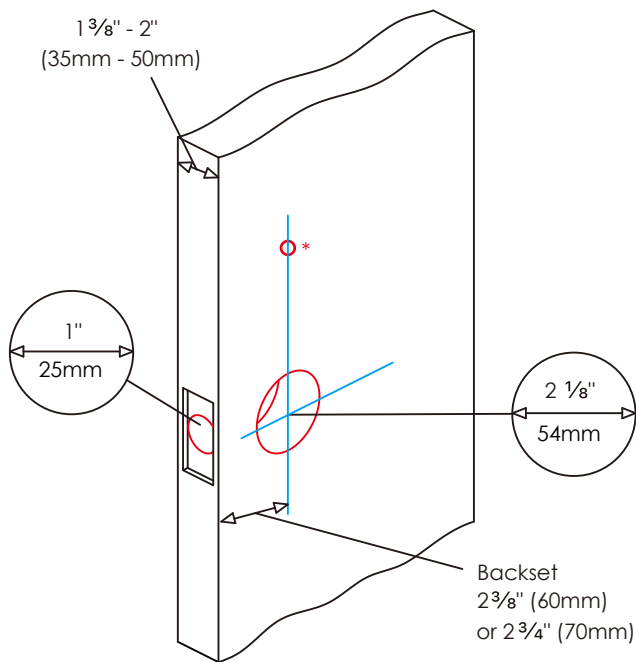
If you are installing the Lockly® Secure smart lock on an existing door, please remove existing door hardware and latch or bolts before installing the new lock.

You can remove most existing door locks with a screwdriver.

If you are having problems removing your existing door lock or unsure if what you are doing can damage the existing door, please contact a locksmith or the current door hardware manufacturer for assistance.

1.2

After removing the existing lock, make sure your door is properly prepared. If you need to drill holes in your door, please use supplied templates to assist.



1.3

Measure and confirm your door is between $1 \frac{3}{8}$ " - 2" (35mm - 50mm).

1.4

Measure and confirm the hole in the door is $2 \frac{1}{8}$ " (54mm).

1.5

Measure and confirm that the backset is between $2 \frac{3}{8}$ " (60mm) to $2 \frac{3}{4}$ " (70mm).

1.6

Measure and confirm that hole in the door edge is 1" (25mm).

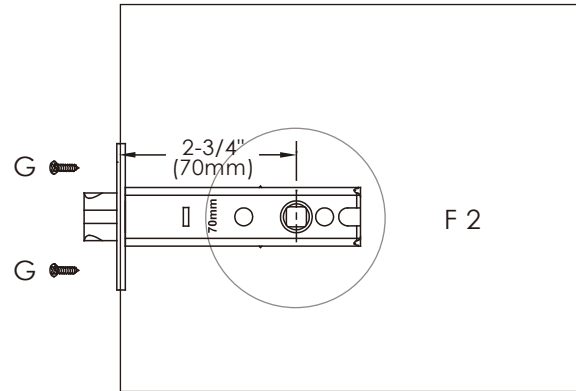
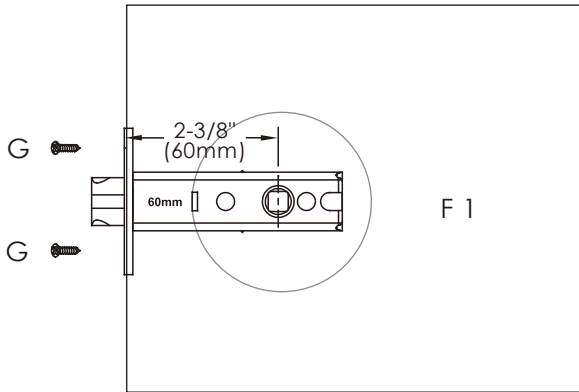
IMPORTANT NOTICE



* You are not required to drill an extra hole on your door. We have provided double sided Adhesive tape for you to help stabilize the lock during installation. Only drill a hole if you wish to have added stability. Please refer to the provided template for drilling if needed.

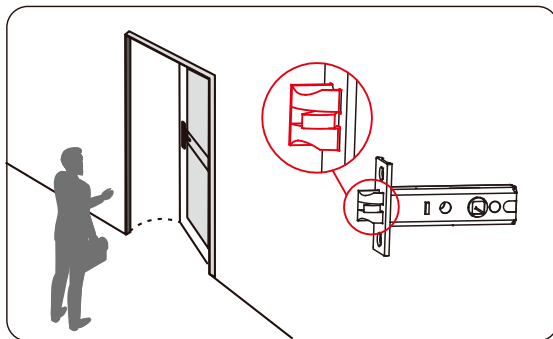
STEP 2: INSTALLING THE LOCKSET

2.1 Measure the distance between center of front door hole to the edge of your door and select the correct lockset. Select F1 if 2-3/8" (60mm) or F2 if 2-3/4" (70mm).



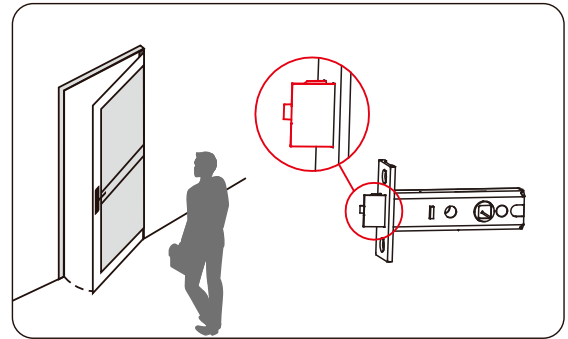
2.2 Install the lockset with the slanted side of the latch facing towards the closing direction.

Example 1



Slanted side Facing Door Frame when closing

Example 2



Slanted side Facing Door Frame when closing

OR

2.3 Secure lockset with provided screws, labelled G (Step 2.1) as shown.

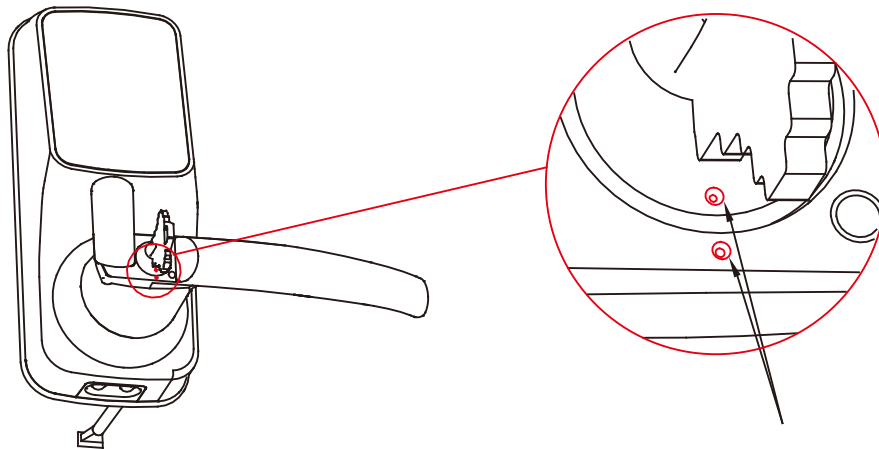
STEP 3: CHANGING HANDLE ORIENTATION FOR RIGHT OR LEFT SWING DOORS

How to determine if your door is a Right Swing or Left Swing door?

While facing the door, if the door hinges are on the right side of the door, you have a Right Swing Door. If the hinges are on the left side of the door, you have Left Swing Door.

The lock ships default for Right Swing Doors. You may skip STEP 3 if your door is a Right Swing Door. To change your door handle orientation for a left swing door, please continue reading.

Changing the Exterior Handle Orientation

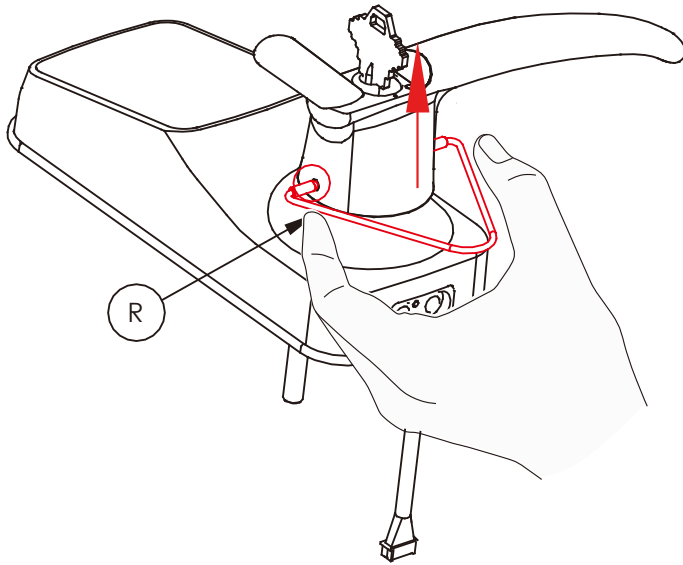


3.1

Insert the key and rotate to align the two white dots as shown in the picture.

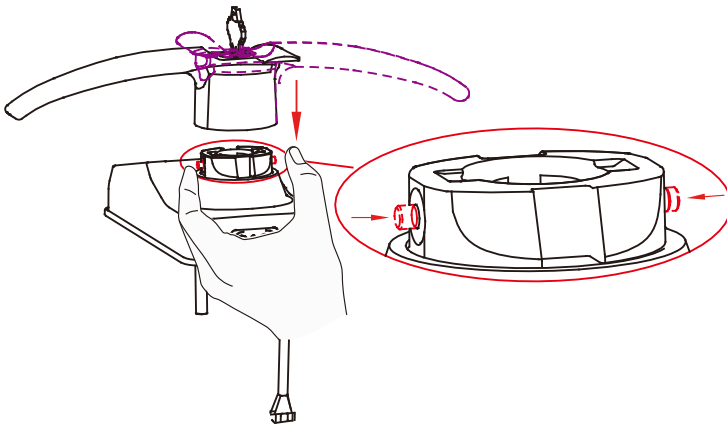
IMPORTANT:

The following steps are only possible when these two white dots are aligned!



3.2

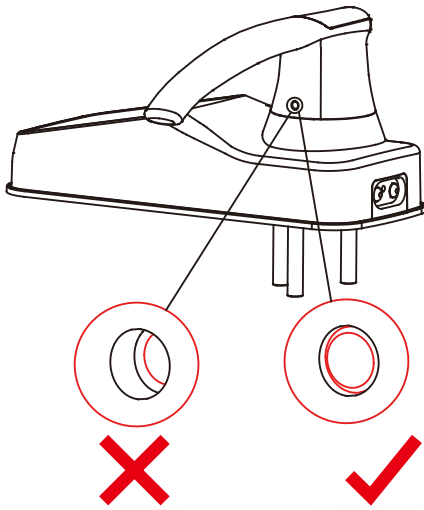
Use the provided Clamping tool **(R)** to push in the two metal pins at the base of the lock handle, located at the 3 o'clock and 9 o'clock positions, and remove the handle once the pins are compressed.



3.3

Rotate the handle 180 degrees to the other side of the lock.

Using your fingers, press the two pins located on the left and right side of the the lock to insert the handle back onto the lock.

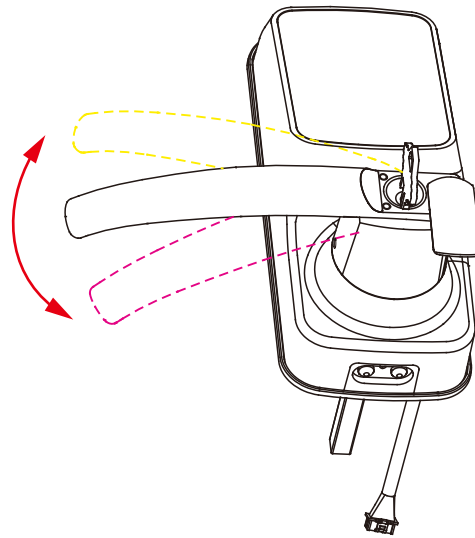
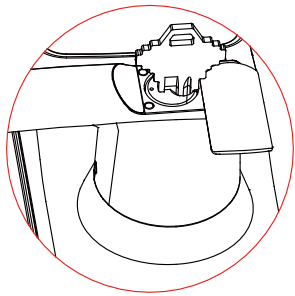


3.4

Confirm that your installation was complete by checking if the pins are flush against the handle, and has popped out. Adjust the handle accordingly to make sure the pins are fully decompressed and sits flush against the surface.

3.5

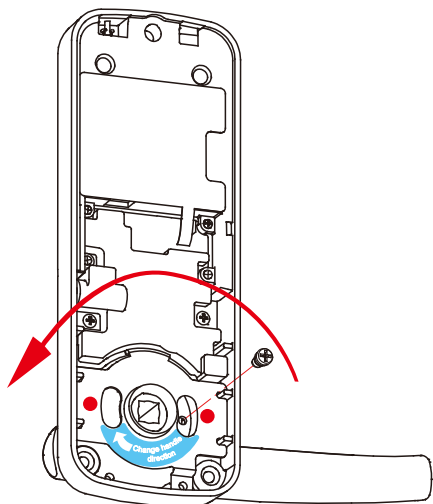
Check that your handle works smoothly by giving it a turn up and down.



3.6

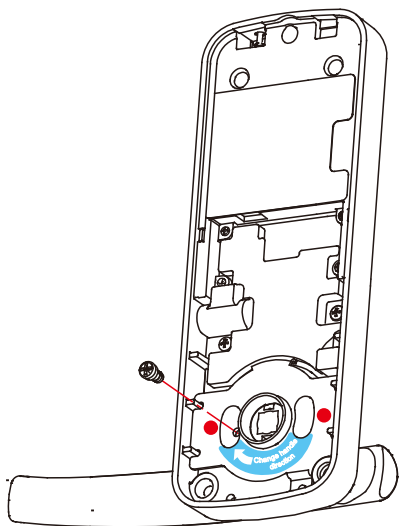
Twist key back to horizontal position. The key can be taken out once it goes back to the horizontal position.

Changing the Interior Handle Orientation



3.7

Remove the screw by turning counter clockwise and rotate the handle 180° in the direction of the arrow as shown. Make sure the screw hole is aligned with the marker as illustrated.



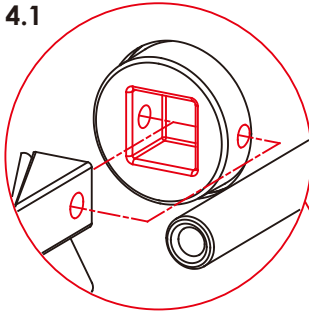
3.8

Securely screw clockwise as shown to complete your handle orientation change.

STEP 4: PREPARING LOCK FOR INSTALLATION

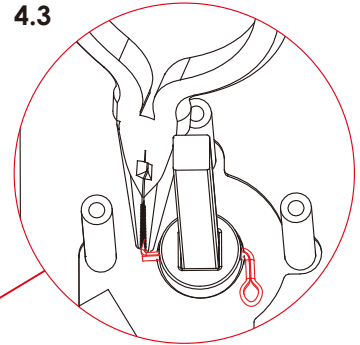
If you drilled a hole in Step 1, use Slotted Barrel Extension (**U**) and securely tighten with a flat head screwdriver by turning it clockwise onto the lock. If you did not drill a hole in step 1, you can leave this pole removed.

4.1



Install Spindle (**C**) with the holes side into the base of the lock and align the holes locate in the 3 o'clock and 9 o'clock position.

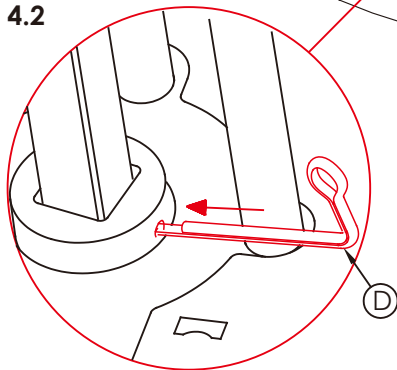
4.3



Carefully bend the end of the locking pin (**D**) with a needle nose pliers.

Failure to bend the locking pin and turn the handle freely without obstruction will result to malfunction.

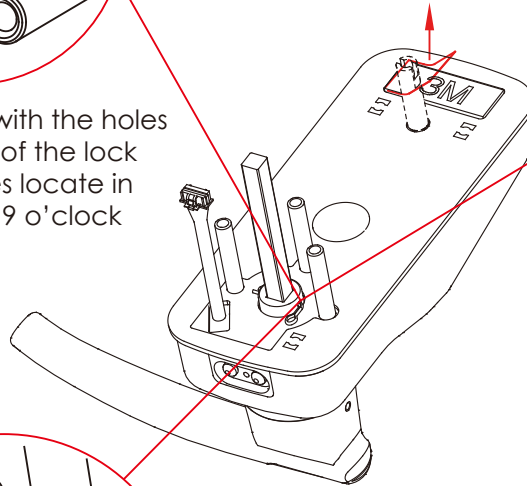
4.2



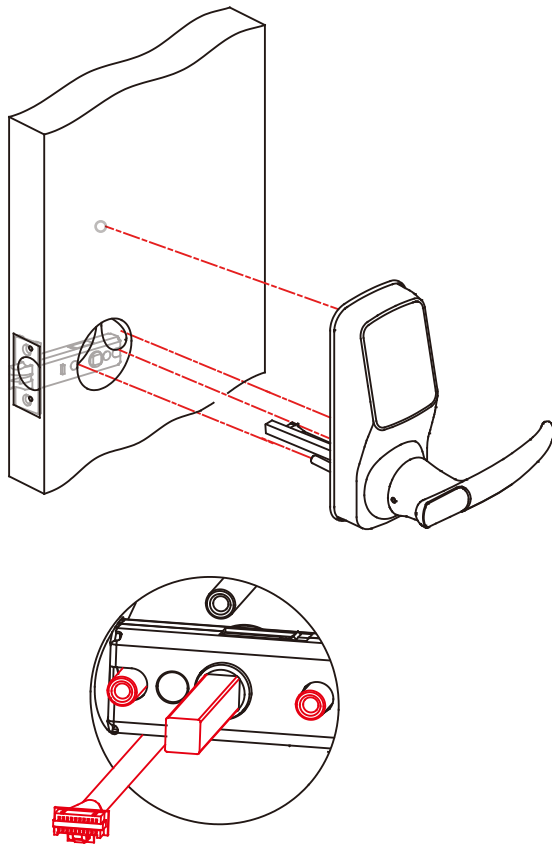
Insert locking pin (**D**) in to the hole as shown above.

4.4

Peel paper layer OFF the Adhesive tape and prepare for installation.

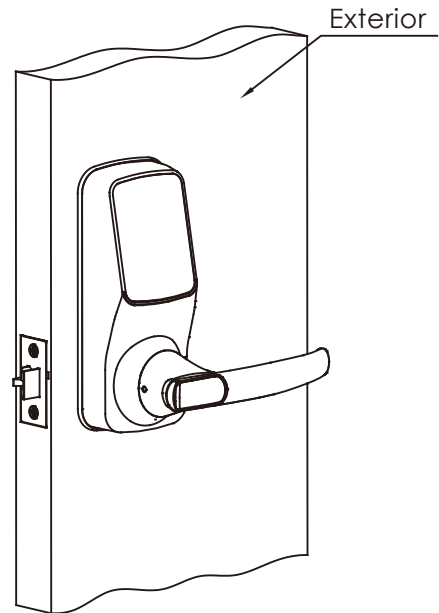


STEP 5: INSTALLING THE LOCK (EXTERIOR)



5.1

Install the exterior lock as shown to the left by aligning the lock straight and passing the cable and attached rods through the lockset.



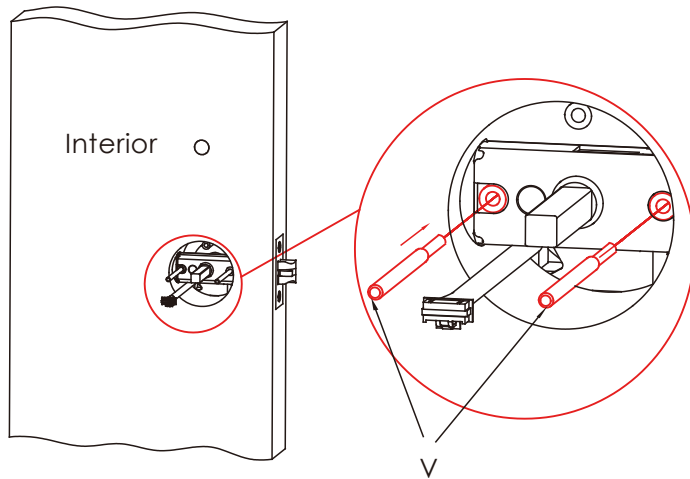
5.2

Pass the Spindle **(C)** through the center of the lockset, and the round rods through the sides in their respective holes. The cable should run underneath the lockset.

5.3

Align the lock straight and press hard (if you use the Adhesive tape in step 4.4) to secure the top of the lock.

STEP 6: INSTALLING THE LOCK (INTERIOR)

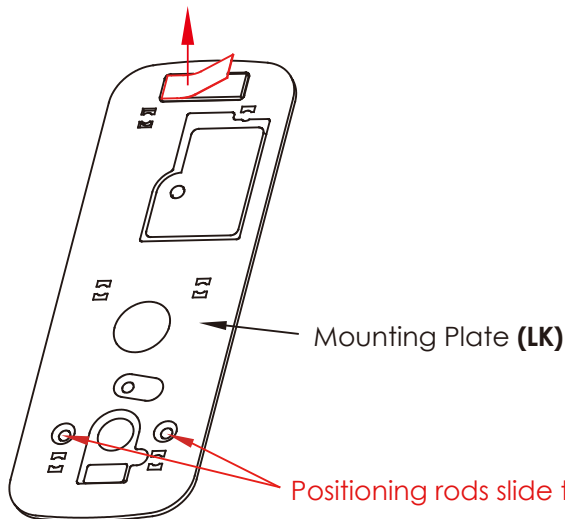


6.1

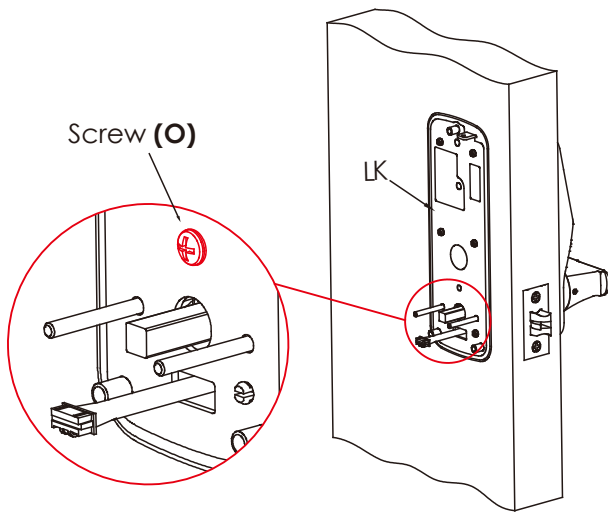
Insert Positioning Rods (**V**) into the holes to the left and right of the Spindle (**C**). The holes are located at the 3 o'clock and 9 o'clock positions.

6.2

Interior Mounting Plate (**LK**) will go against the interior side of your door. Remove the paper layer off of the Adhesive Tape and align the positioning rods on the bottom of the plate to the corresponding left and right holes.



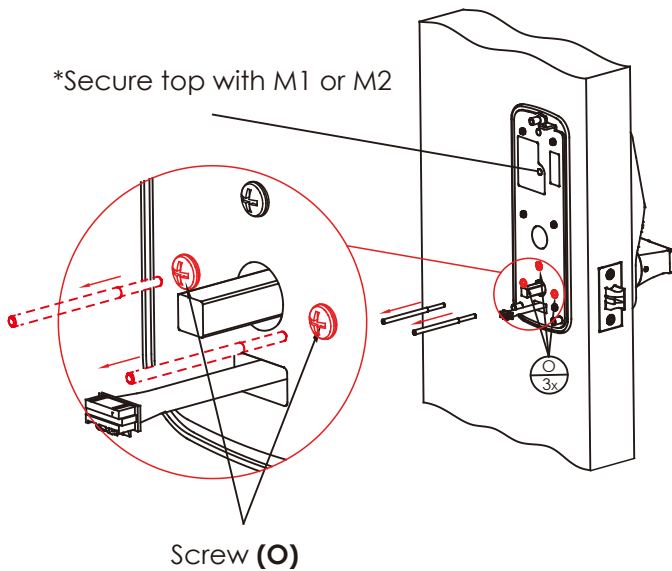
Install the side with the black plastic seal against the door.



6.3

Pull the cable from the lock exterior through the rectangular hole underneath the positioning rods and spindle.

Secure the hole above the spindle with screws (O).



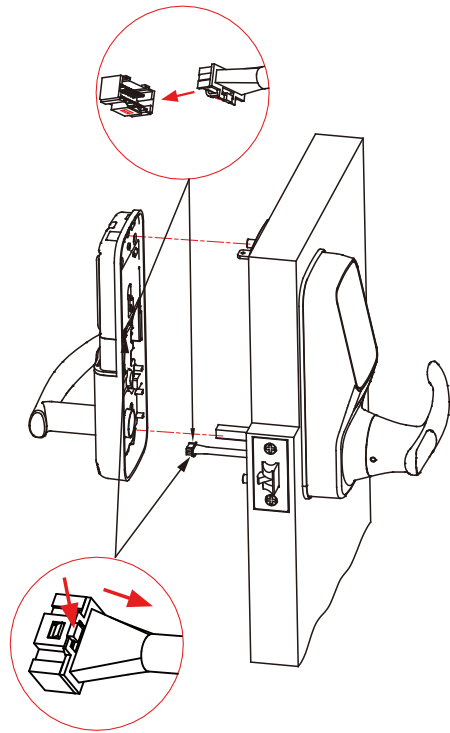
6.4

Remove the position rods (V) and replace them with screws (O). Tighten clockwise until the mounting plate is secure.

* If you have drilled a hole on the top in Step 1, please secure the hole with screw M1 or M2 depending on your door thickness. Skip this if no hole was drilled in Step 1.

M1  P M 5 X 25 mm

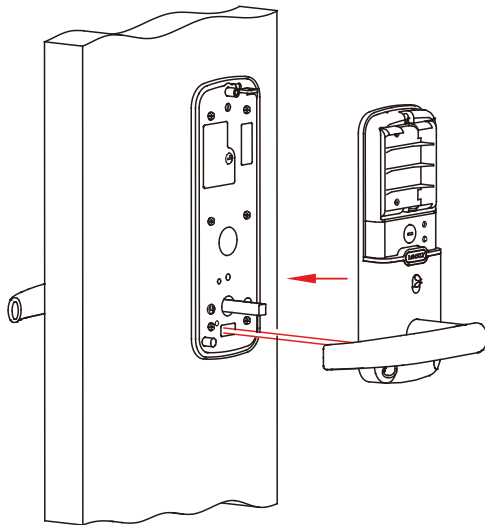
M2  P M 5 X 35 mm



6.5

Plug the cable that is coming through the door into the lock interior. Make sure you match the direction of the plug correctly and matching the **red side of the plug with the red side on the lock**. Secure the connection by ensuring the snap is inserted tightly.

In case you need to reinstall the lock and disconnect the cable, make sure to press the snap to release the plug before carefully pulling it out. Do not force to pull the plug as this may result to lose connection and damage the lock.

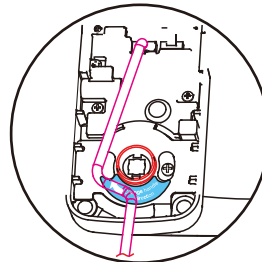


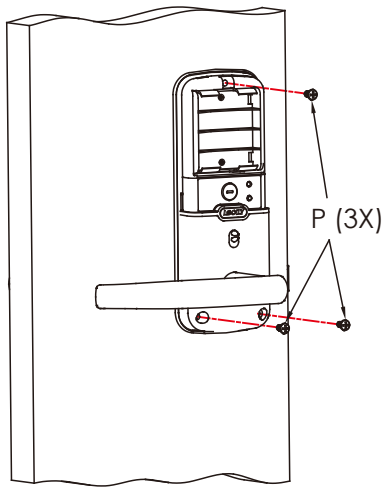
6.6

Align the square rod to the lock interior and attach the Interior lock to the Interior mounting plate.

While you are doing so, gently push some of the excess cable through the rectangular hole into the door.

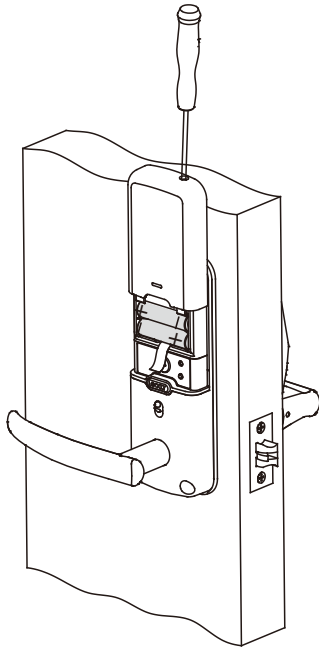
Place the remaining cable against the interior side of the lock interior so the lock interior sits securely onto the mounting plate.





6.7

Once the lock interior is flush against the mounting plate, secure the lock to the plate by screwing clockwise using provided screws **(P)**.



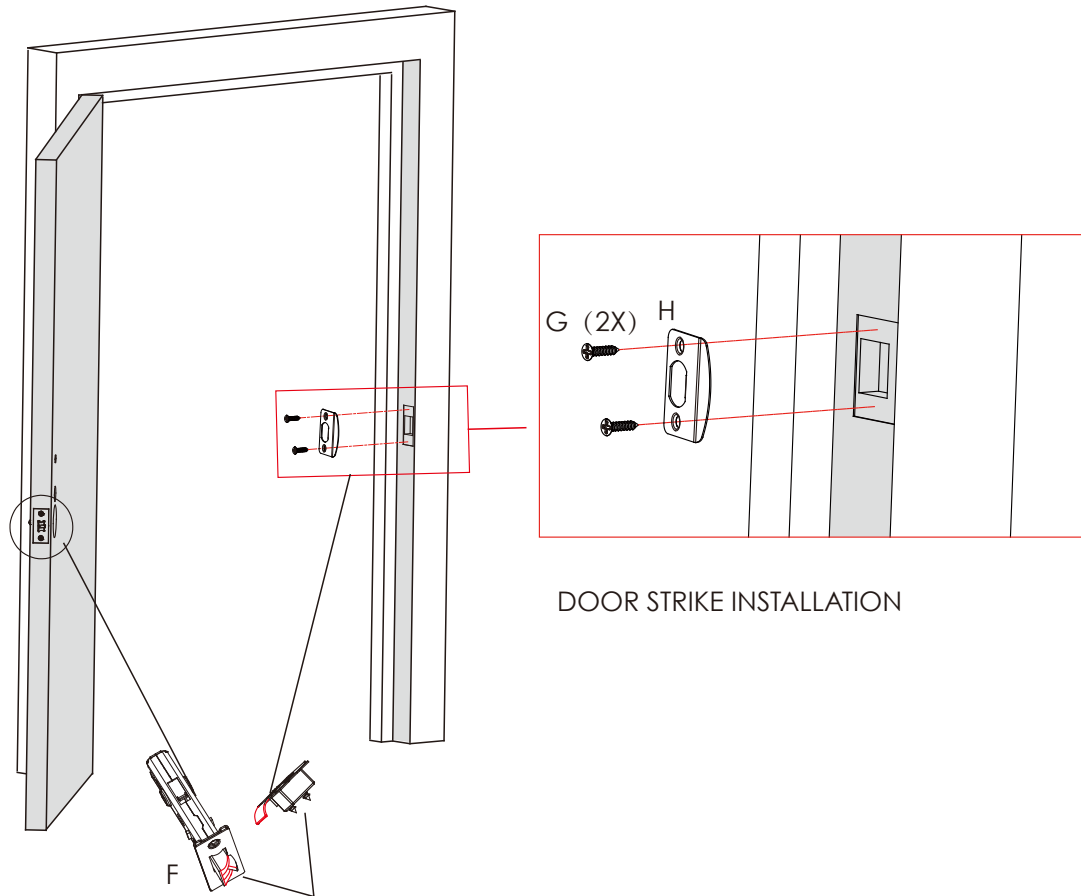
6.8

Insert 4 AA batteries into the lock by aligning the positive **(+)** and negative **(-)** orientation markings on the batteries to the battery chamber.

Secure the battery cover by sliding the cover over the lock and turning the screw clockwise on top until tight.

STEP 7: INSTALLING THE DOOR STRIKE

Close your door to see if your lock closes securely with your existing door strike. If the lock closes securely, you may keep the existing door strike without removing the old hardware. However, it's recommended that you use our door strike.



DOOR STRIKE INSTALLATION

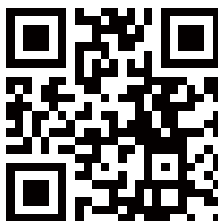
Make sure the slanted side of Latchbolt (**F1/F2**) is closing against the slanted part of Strike Plate (**H**) before fixing it on to door frame.

STEP 8: DOWNLOAD THE LOCKLY® APP

Congratulations! You have completed the Lockly® Secure physical lock installation. To complete your setup, download the Lockly® app from the iOS or Google Play app Store and follow on-screen instructions.



Scan or visit [Lockly.com/app](https://lockly.com/app)



You can add live status monitoring and voice control capabilities to your Lockly® Smart Lock with Amazon Alexa or Google Assistant via installing the Secure Link Wi-Fi Hub and Door Sensors (Sold Separately)



Know it's Closed.

Wireless Door Sensors

No more worries wondering if your door was shut when you locked your door. Included is a set of wireless door sensors that can provide accurate information on the status of your door. Whether it's securely shut or still open.



Connected.

Always In The Know

Lock, unlock, and monitor your smart lock remotely, whenever, wherever. The 2.4 GHz (802.11 b/g/n) Wi-Fi enabled hub connects seamlessly to your smart lock and app, and provides live updates whenever you need them including live access history without connecting via Bluetooth to the lock.



Smart Home Integration

Amazon Alexa or Google Assistant

Configure your voice commands in your Alexa or Google Assistant app to work with your smart lock. Give commands like "Is my front door locked?" or "Lock my front door"

Get one now to enable the above features.

<https://lockly.com/hub>



FCC Warning :

This device complies with Part 15 of the FCC Rules. Operation is subject to the following two conditions: (1) This device may not cause harmful interference, and (2) this device must accept any interference received, including interference that may cause undesired operation.

NOTE 1: This equipment has been tested and found to comply with the limits for a Class B digital device, pursuant to part 15 of the FCC Rules. These limits are designed to provide reasonable protection against harmful interference in a residential installation. This equipment generates, uses and can radiate radio frequency energy and, if not installed and used in accordance with the instructions, may cause harmful interference to radio communications. However, there is no guarantee that interference will not occur in a particular installation. If this equipment does cause harmful interference to radio or television reception, which can be determined by turning the equipment off and on, the user is encouraged to try to correct the interference by one or more of the following measures:

- Reorient or relocate the receiving antenna.
- Increase the separation between the equipment and receiver.
- Connect the equipment into an outlet on a circuit different from that to which the receiver is connected.
- Consult the dealer or an experienced radio/TV technician for help.

NOTE 2: Any changes or modifications to this unit not expressly approved by the party responsible for compliance could void the user's authority to operate the equipment.

FCC Radiation Exposure Statement

The Secure Link Wi-Fi Hub complies with FCC radiation exposure limits set forth for an uncontrolled environment. It should be installed and operated with minimum distance 20cm between the radiator & your body.

IC WARNING

This device contains licence-exempt transmitter(s) that comply with Innovation, Science and Economic Development Canada's licence-exempt RSS(s). Operation is subject to the following two conditions:

- (1) This device may not cause interference.
- (2) This device must accept any interference, including interference that may cause undesired operation of the device.

L'émetteur/récepteur exempt de licence contenu dans le présent appareil est conforme aux CNR d'Innovation, Sciences et Développement économique Canada applicables aux appareils radio exempts de licence. L'exploitation est autorisée aux deux conditions suivantes:

1. L'appareil ne doit pas produire de brouillage;
2. L'appareil doit accepter tout brouillage radioélectrique subi, même si le brouillage est susceptible d'en compromettre le fonctionnement.

IC Radiation Exposure Statement

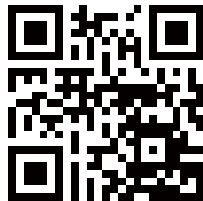
This equipment meets the exemption from the routine evaluation limits in section 2.5 of RSS-102. It should be installed and operated with a minimum distance of 20cm between the radiator and any part of your body.

Cet équipement est conforme à l'exemption des limites d'évaluation habituelle de la section 2.5 de la norme RSS-102. Il doit être installé et utilisé à une distance minimale de 20 cm entre le radiateur et toute partie de votre corps.



WARNING: This product can expose you to chemicals including Lead, which is known to the State of California to cause cancer. For more information go to www.P65Warnings.ca.gov.

LOCKLY[®] SECURE



We're here to help!
help@lockly.com
<https://lockly.com/help>



For the latest version of this manual, please visit the following link:

<http://lockly.com/help>