

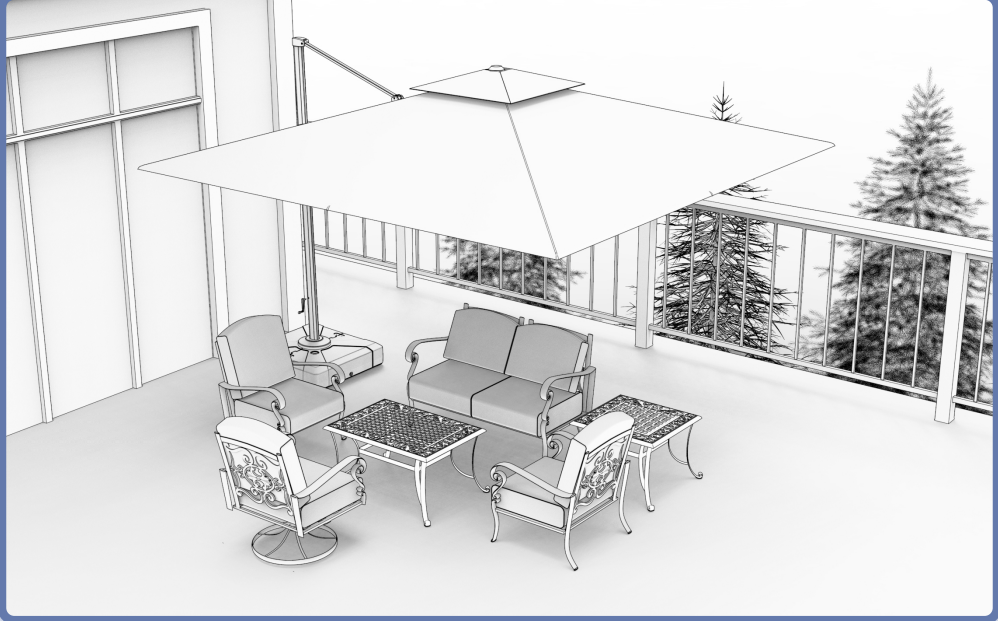


PURPLE LEAF 11.8' × 14.2' PERGOLA ZY05PRG1012-729R

ASSEMBLY MANUAL



PURPLE LEAF PRODUCTS



Warnings and Cautions

Please retain this instruction for future usage and read carefully before assembly.

Make sure you have all the parts & hardware as item list shows.

2 adults or more are recommended to install your gazebo.

Do not discard any of the packaging until you have checked that you have all the parts and pack of fittings.

Check all bolts for tightness before use, and periodically check and tighten bolts ensure your gazebo works properly.

Some parts might have sharp edges/corners. Please follow basic safety precautions to reduce the risk of hurts.

*It is essential to place the gazebo on level ground and not less than **6 feet** from any obstruction such as fences, garages, the house, overhanging branches, laundry lines, or electrical wires.*









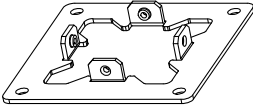
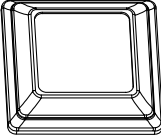

Ladder is required for the installation.


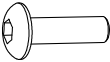
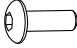
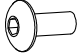

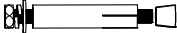




Never fully tighten the screws until you finish the installation.

CHOKER HAZARD

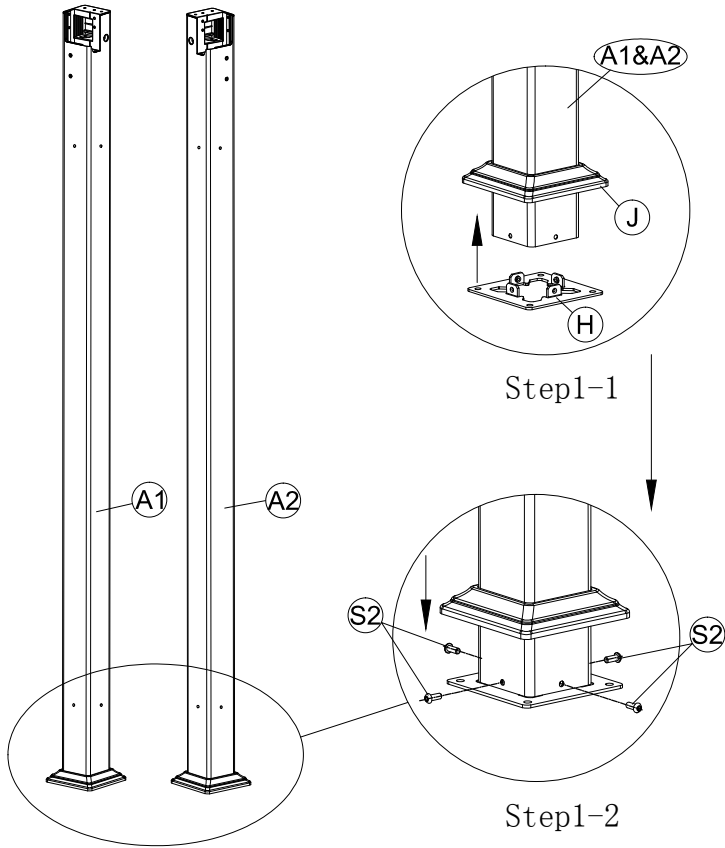
THIS ITEM CONTAINS SMALL PARTS WHICH CAN BE SWALLOWED BY CHILDREN.





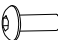
PLEASE KEEP IT AWAY FROM CHILDREN UNDER 3 YEARS OLD and PETS DURING INSTALLATION.

PCE	PIECE	QTY
A1		2
A2		2
B		2
C1		1
C2		1
D		1
F		64
G		2
H		4
J		4
L		2

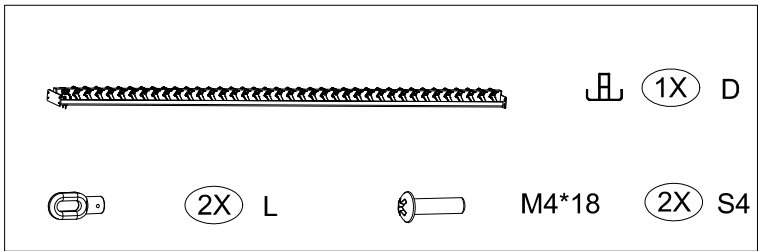
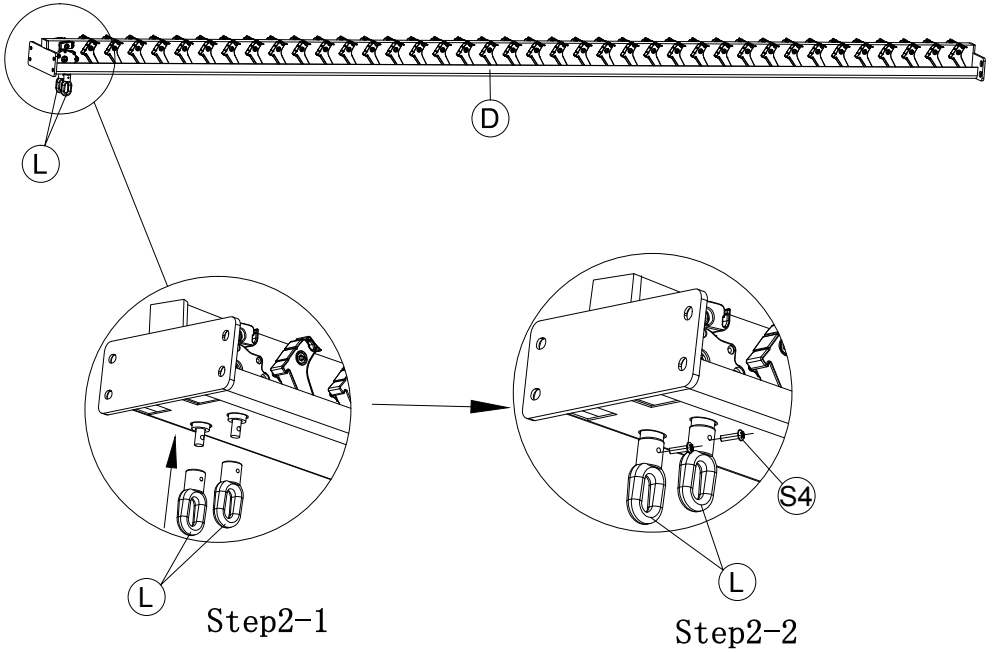
PCE	PIECE	QTY
R		1
S1	 M8*20	38
S2	 M6*15	18
S3	 M6*15	6
S4	 M4*18	2
S5		18
T1		2
T2		1
T3		1
	 Silicone neutral glass glue, purchased by customers	

STEP 01

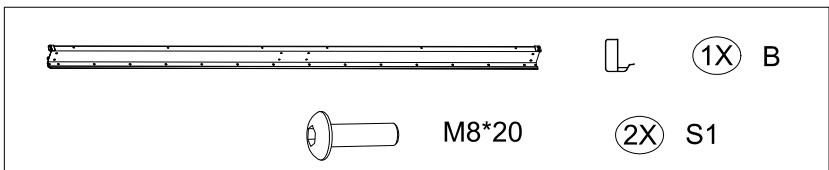
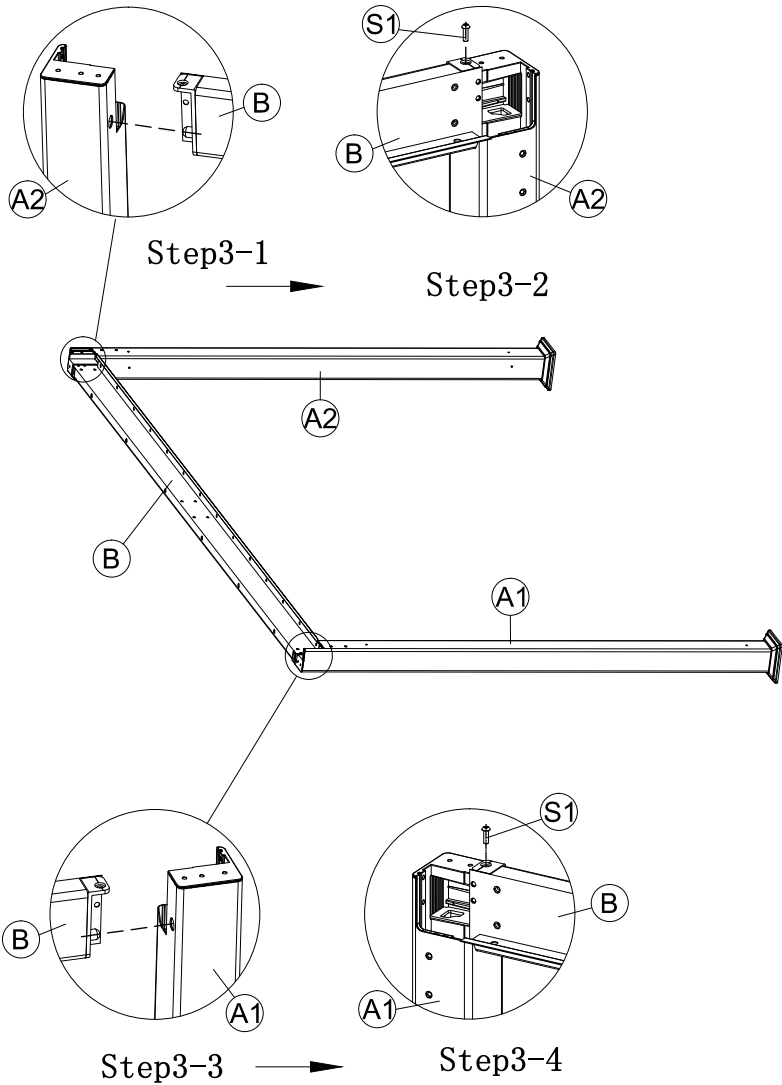


	<input type="checkbox"/>	(2X) A1		(4X) H
	<input type="checkbox"/>	(2X) A2		(4X) J
		(16X) S2		

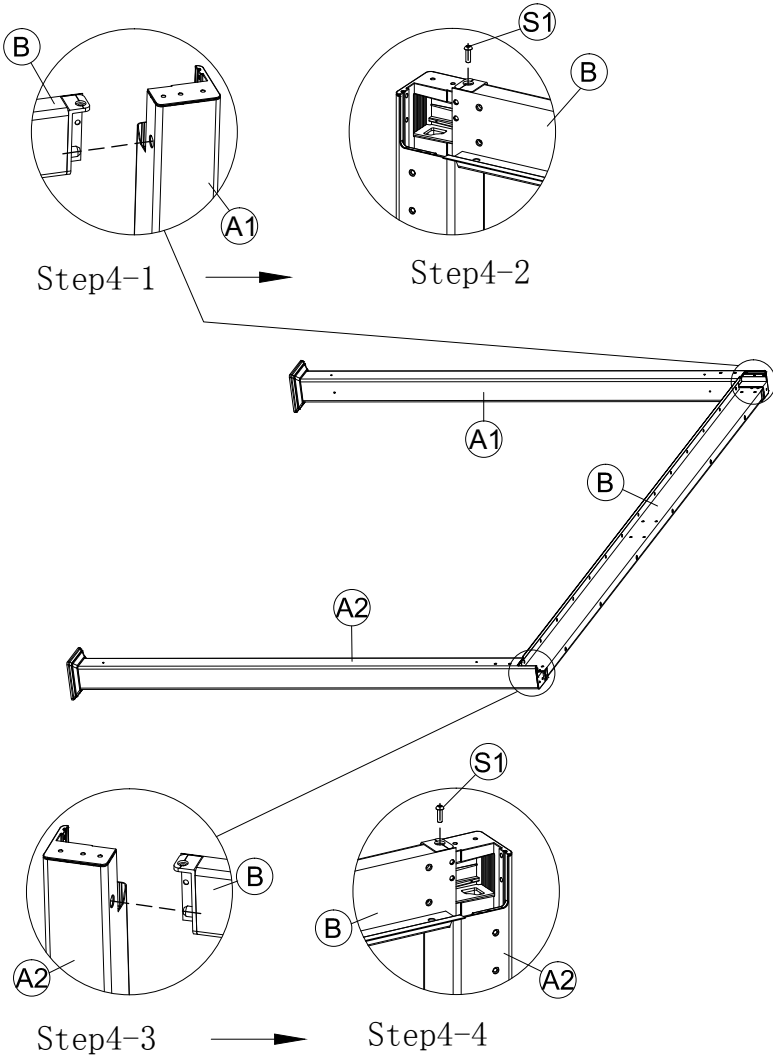
STEP 02



STEP 03

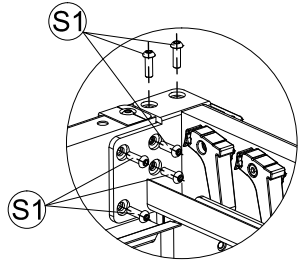
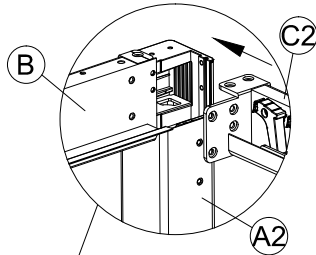
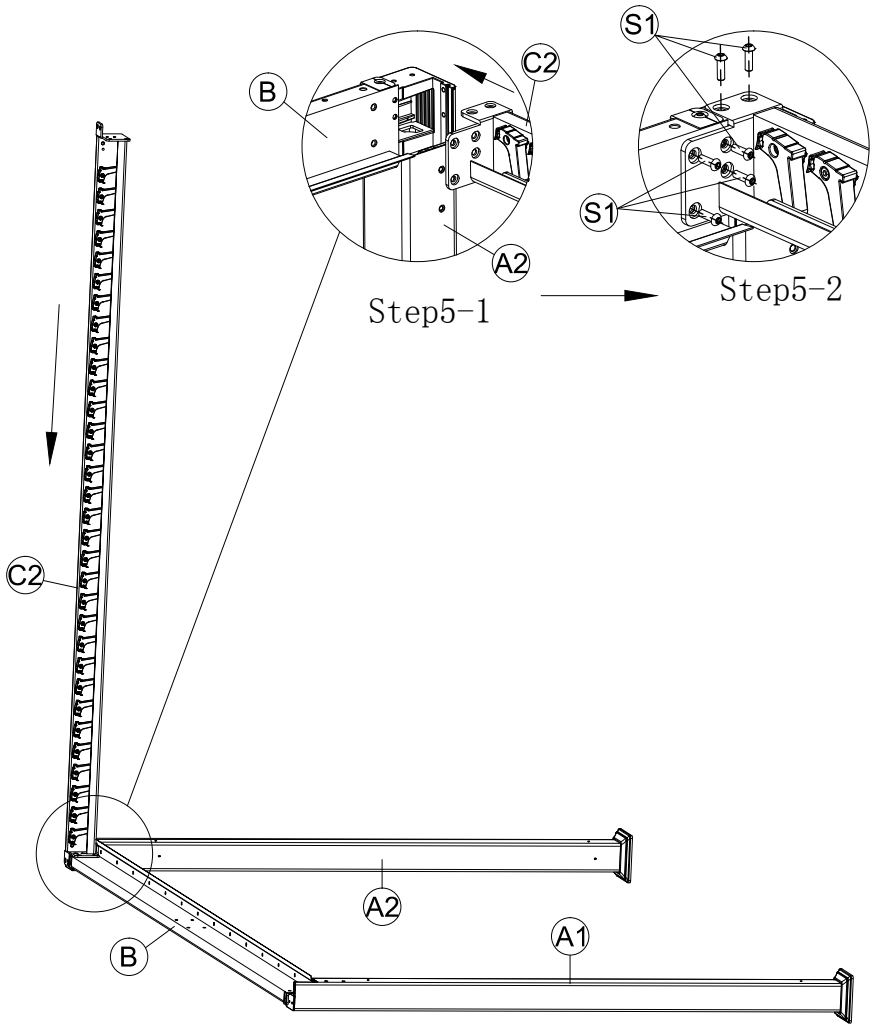


STEP 04



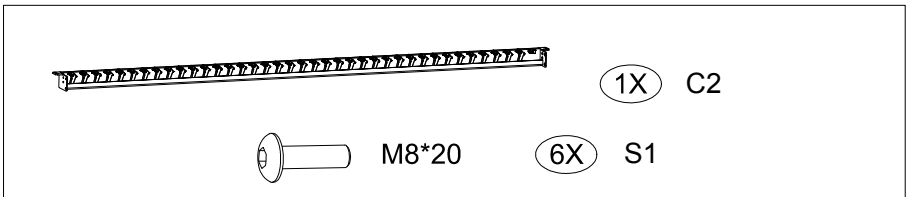
- | | | |
|--|-------|-------|
| | | ①X B |
| | M8*20 | ②X S1 |

STEP 05

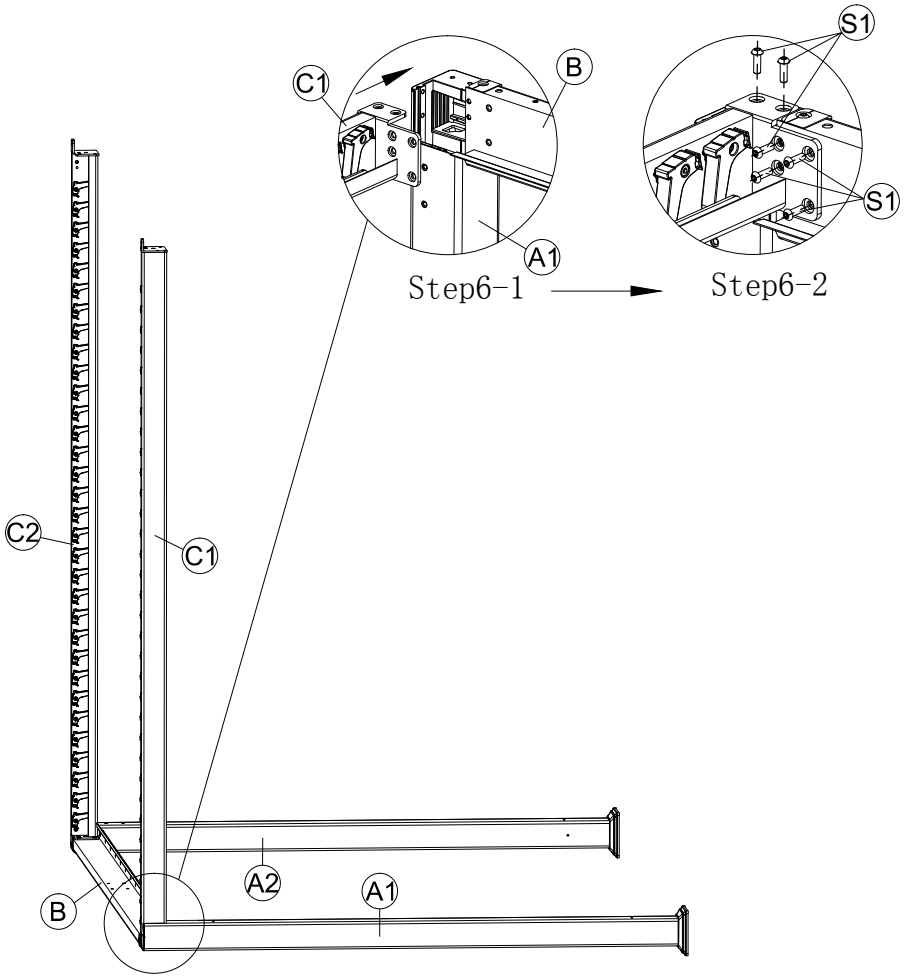



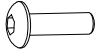
Step5-1

Step5-2

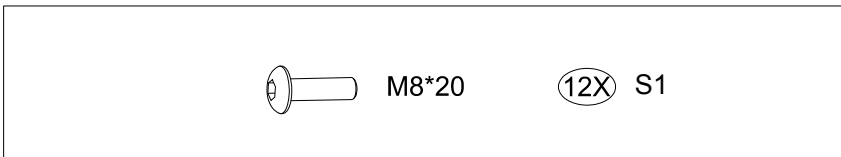
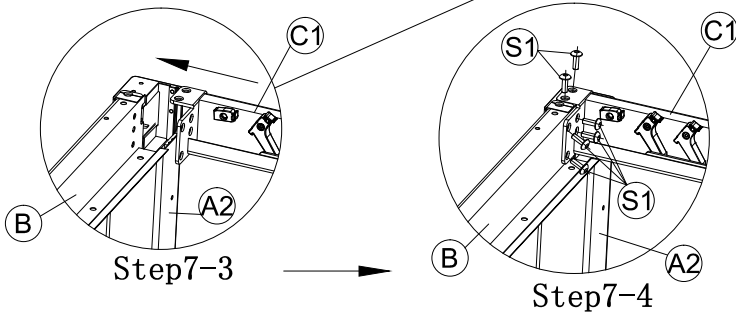
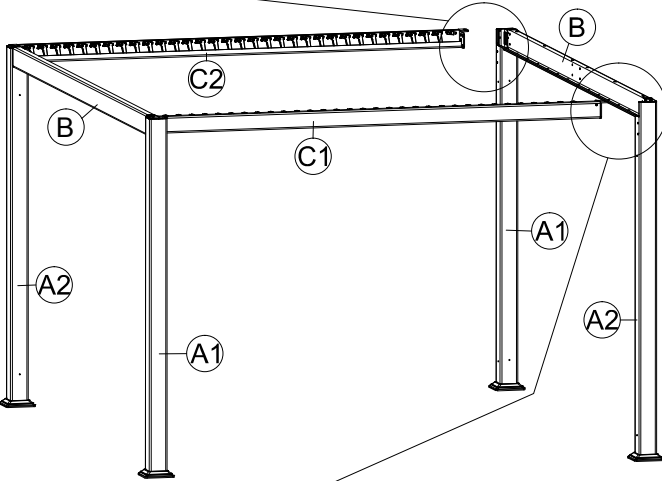
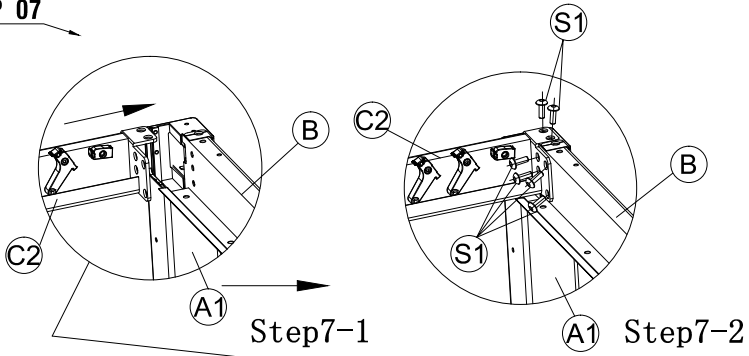


STEP 06

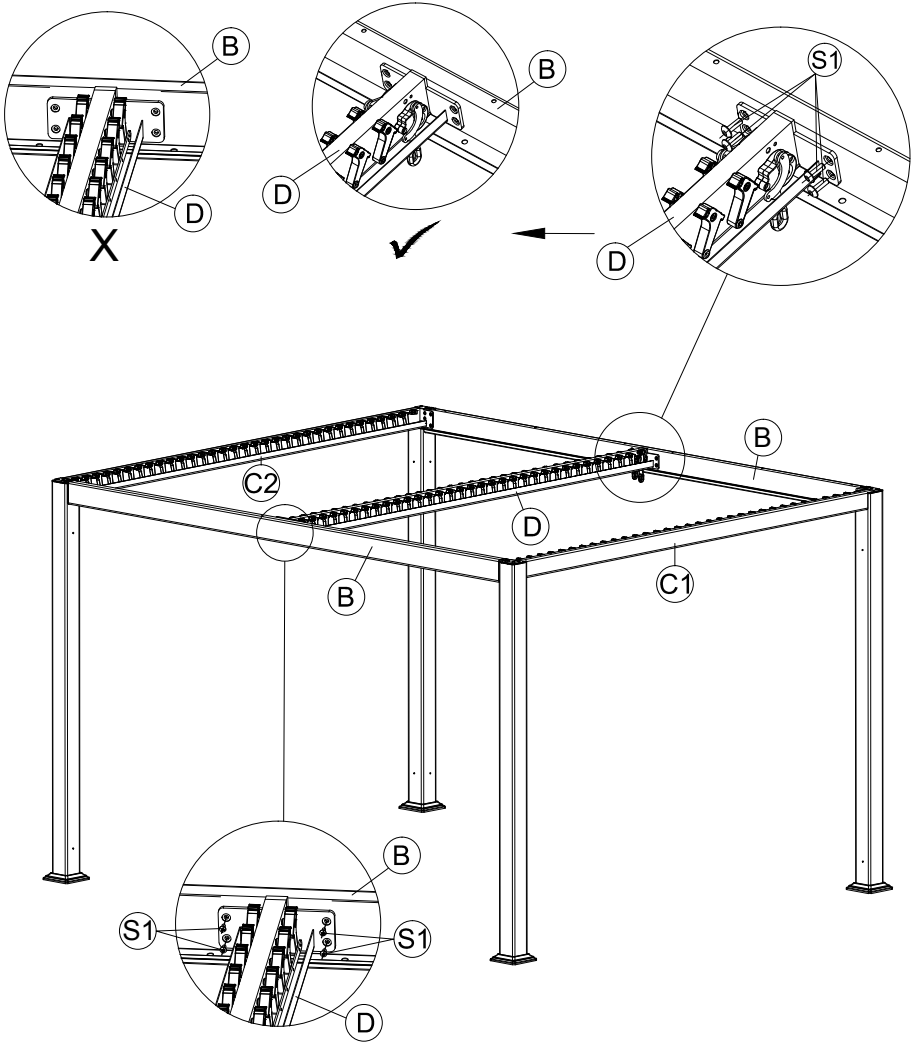


-  (1X) C1
-  M8*20 (6X) S1

STEP 07



STEP 08

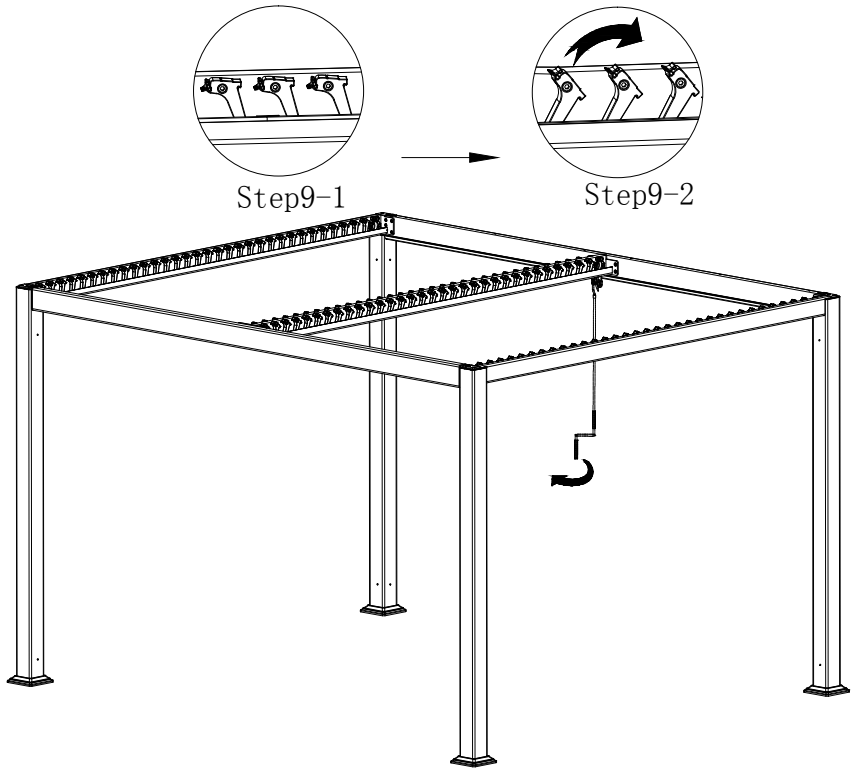


M8*20

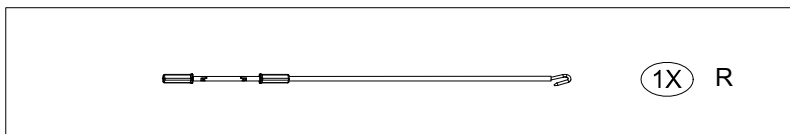


S1

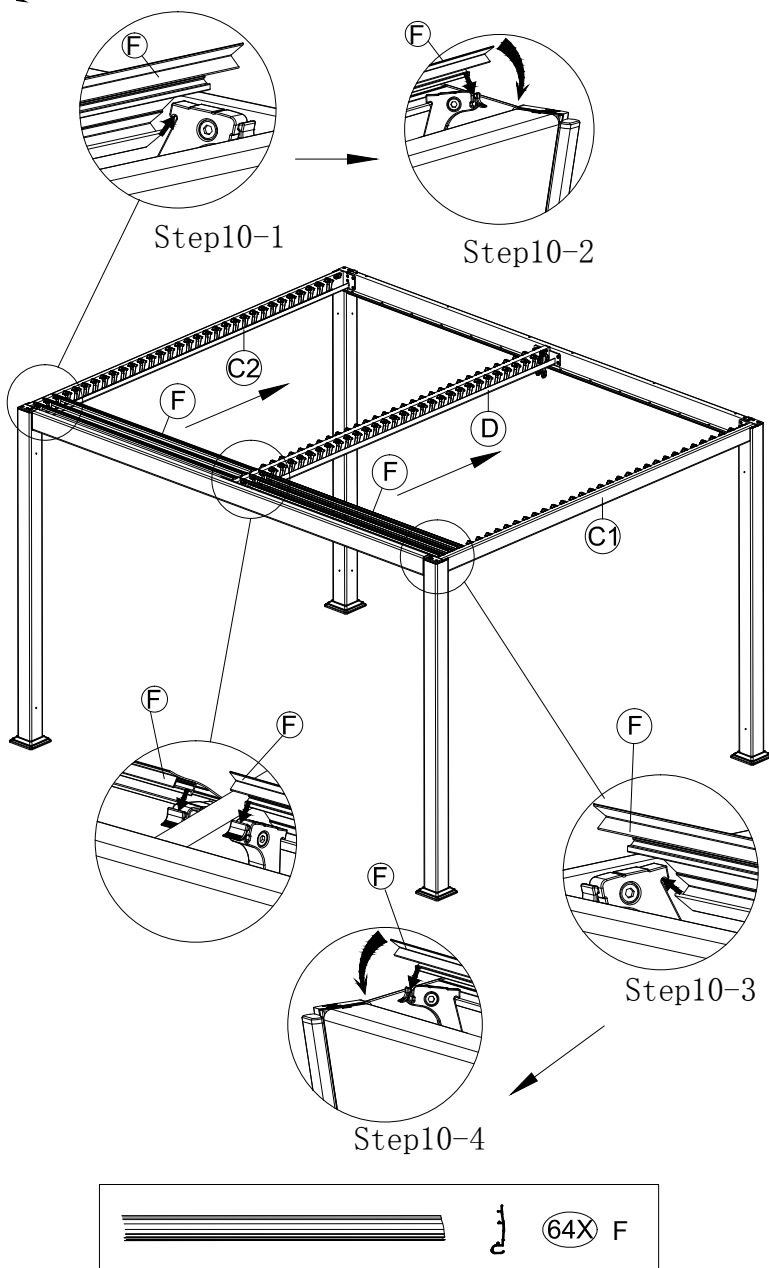
STEP 09 →



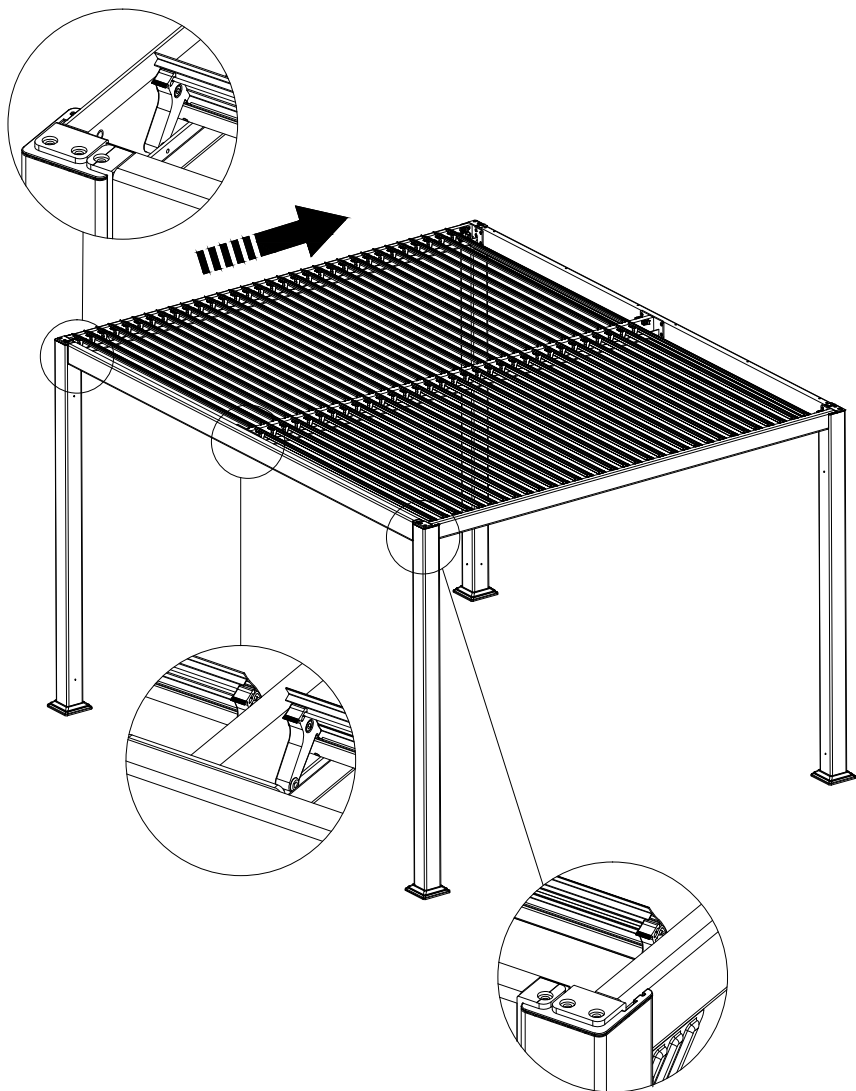
Turn the position from step9-1 to step9- 2first,
then assemble the shutter.



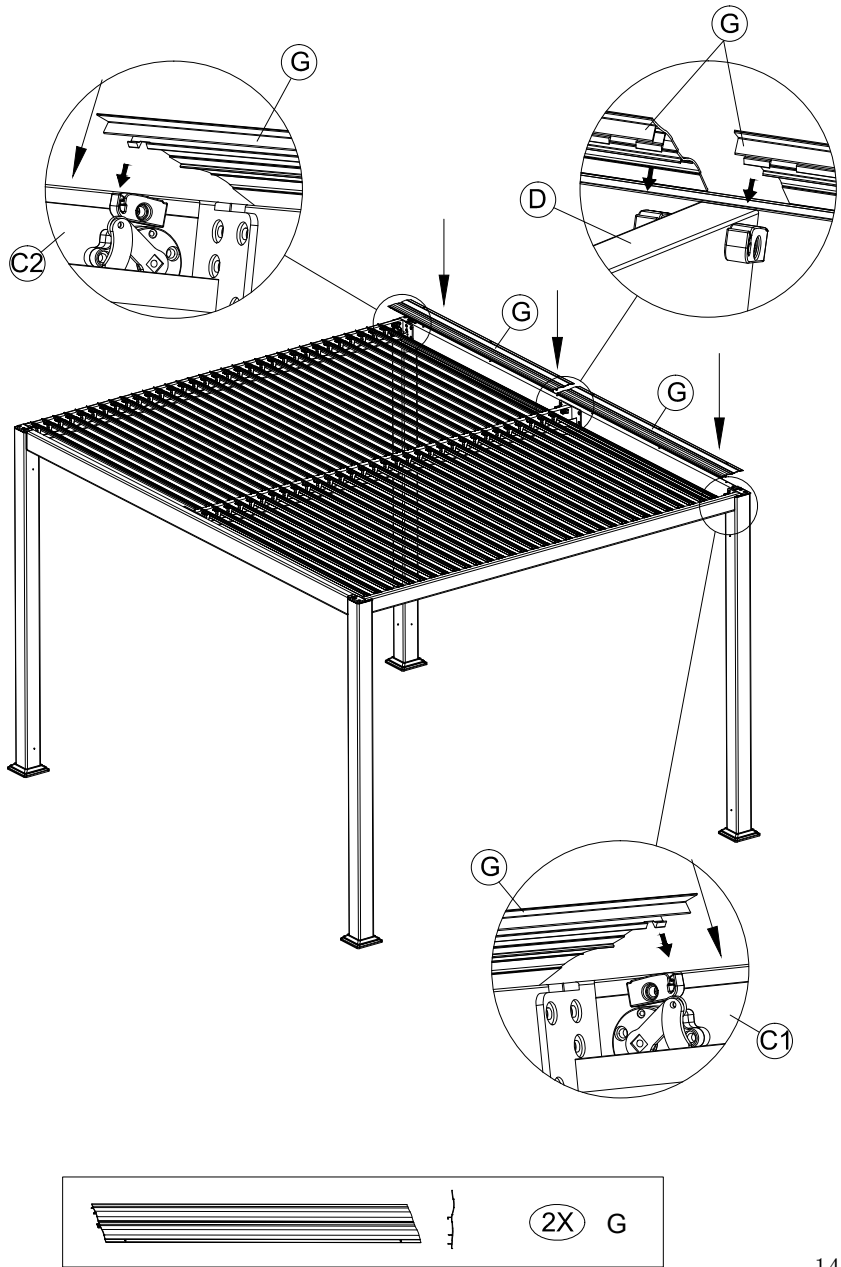
STEP 10



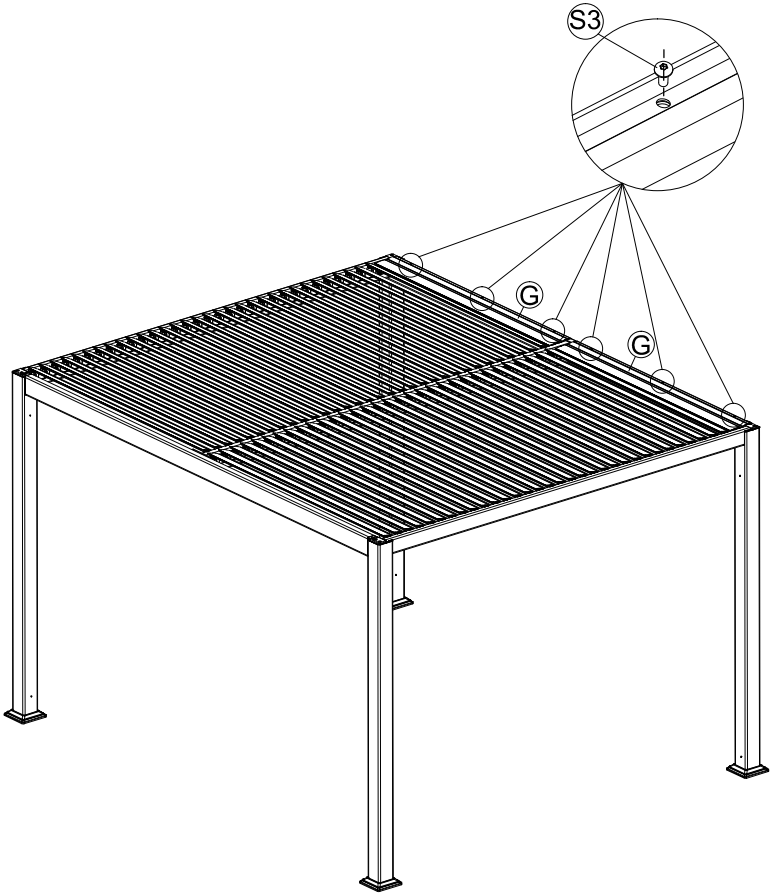
STEP 11 →

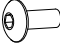



STEP 12

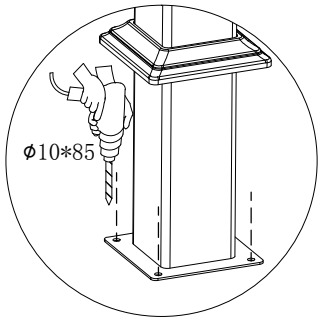
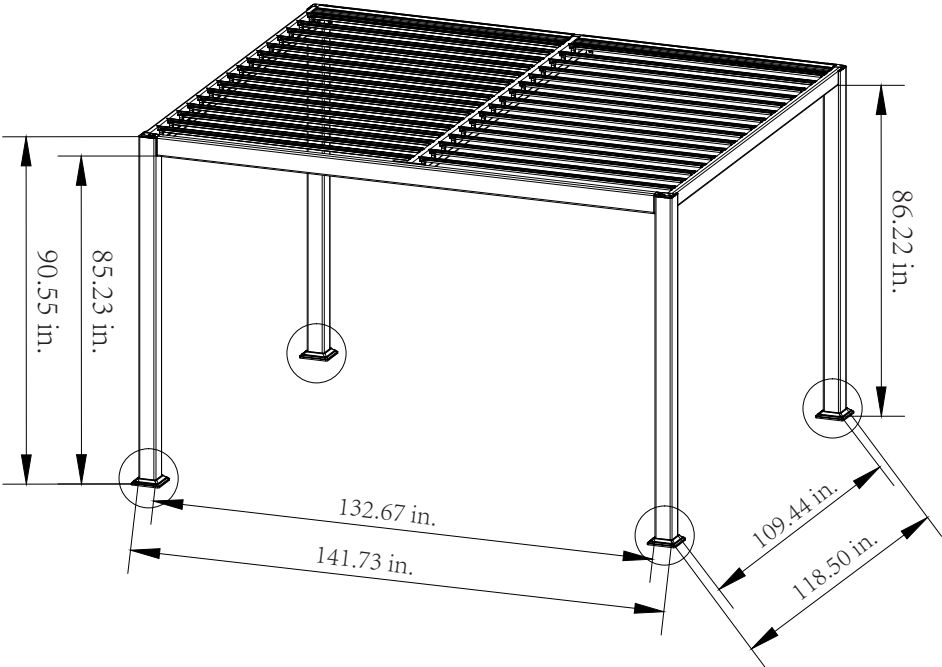


STEP 13

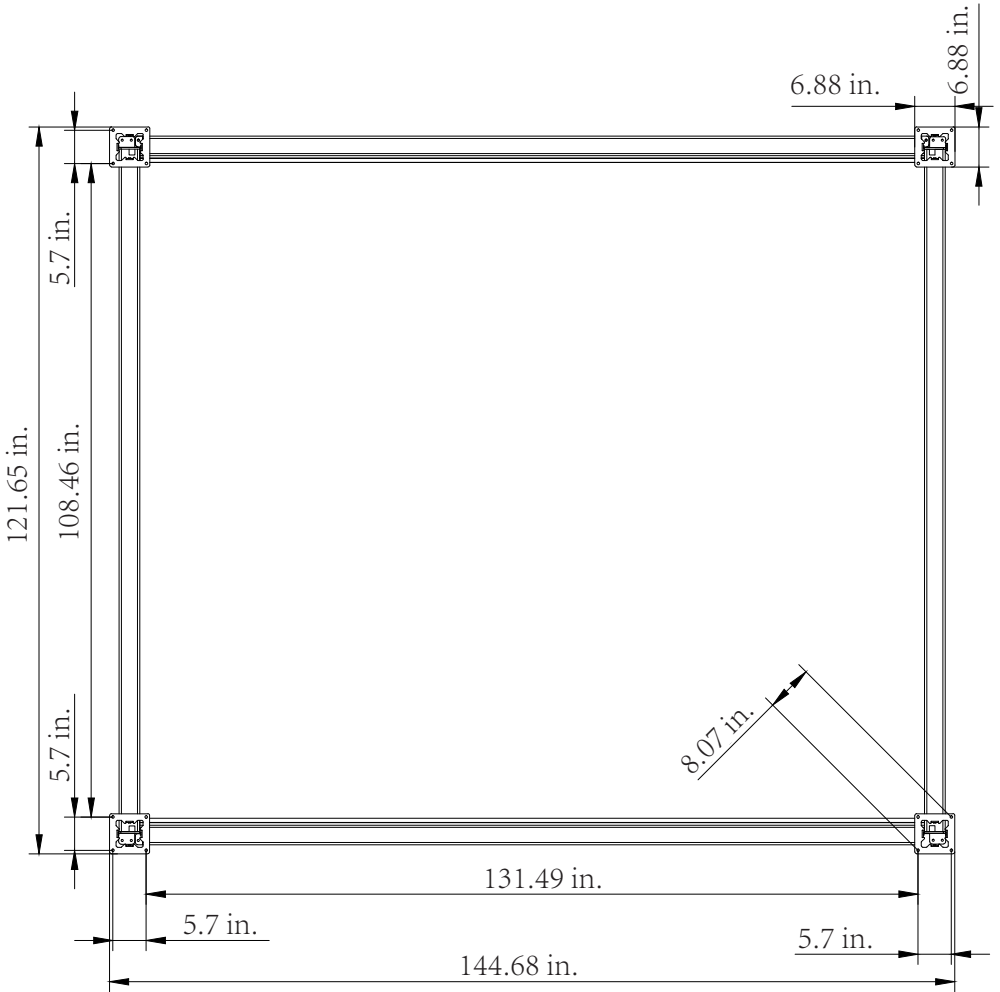


	M6*15	 S3
---	-------	--

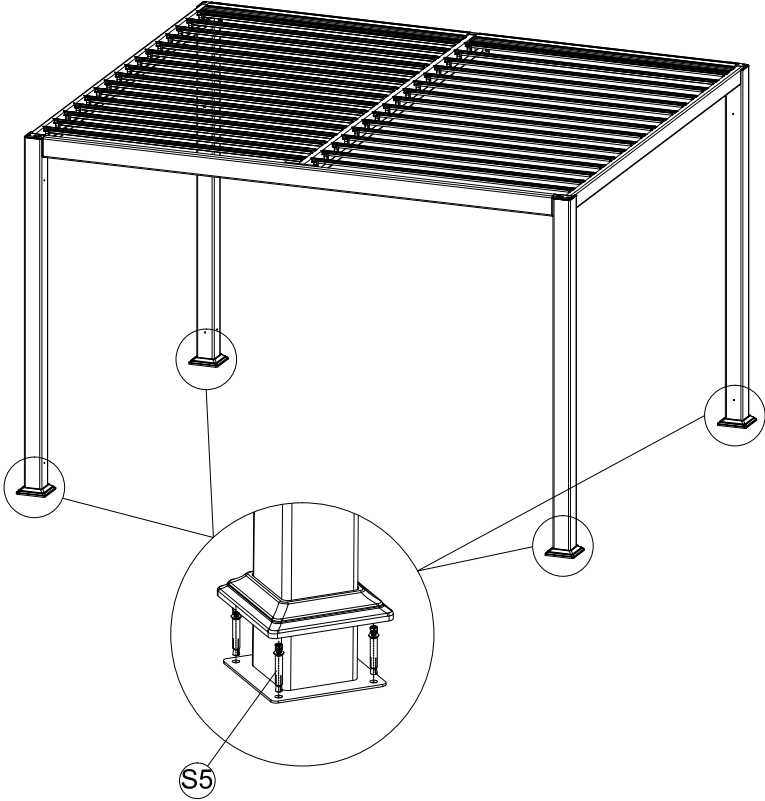
STEP 14



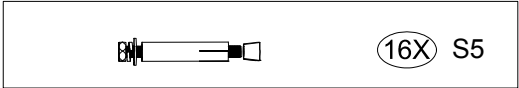
STEP 15



STEP 16 →



There are 4 expansion screws for each pole.



Warranty

Frames

Frames constructions are warranted to be free from defects in material and workmanship for 1 year from item purchased. Damage to frame from negligence won't be covered by this warranty.

Bolts & nuts

Bolts and nuts are warranted to be free from defects in material and workmanship for 1 year from item purchased. Damage from exposure to chemicals (including not only oils ,spills, fluids) won't be covered by this warranty.

Warranty Limitation

This warranty is for the original purchase order only. (Order number required). This warranty is non-transferable. Purple Leaf is responsible for the free replacement part including shipping charges for the 1 year warranty.

Warranty Exclusion

This warranty does not cover products subject to negligence, abuse usage, inappropriate installation. Purple leaf reserves the right to explain warranty exclusions. When the replacement item is applied, the 1 year warranty automatically expires. Please feel free to contact us for applying warranty.





*Purple Leaf Inc.
1820 E Locust St, Ontario
CA, 91761, US
pergola@purpleleafgarden.com
©Copyright 2016-2022 Purple Leaf Inc.
All Rights Reserved*