

**AIYIMA<sup>®</sup> AUDIO**

**Bluetooth 5.1  
2.0 Channel Tube Amplifier**

**USER MANUALS**

**Model: T5**

**Shenzhen Yima Technology Co.,Ltd**

Website: [www.aiyima.com](http://www.aiyima.com)

Telephone: 86-0755-28268551

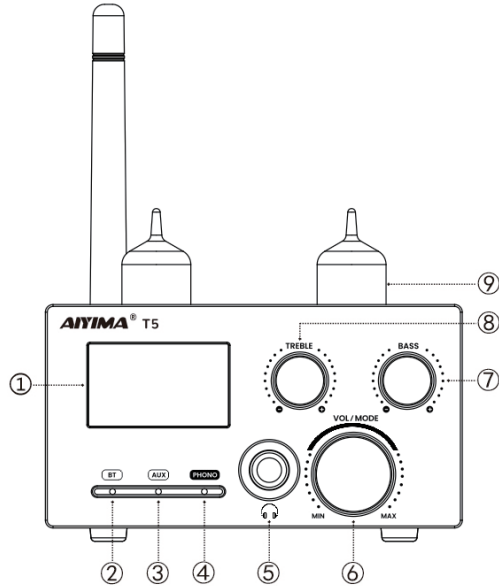
Location: 4F, Building 7 Hekan industrial park. Wuhe south road 41. Long-Gang district.

ShenZhen. CHINA. 518000

Email: [sale@aiyima.com](mailto:sale@aiyima.com)

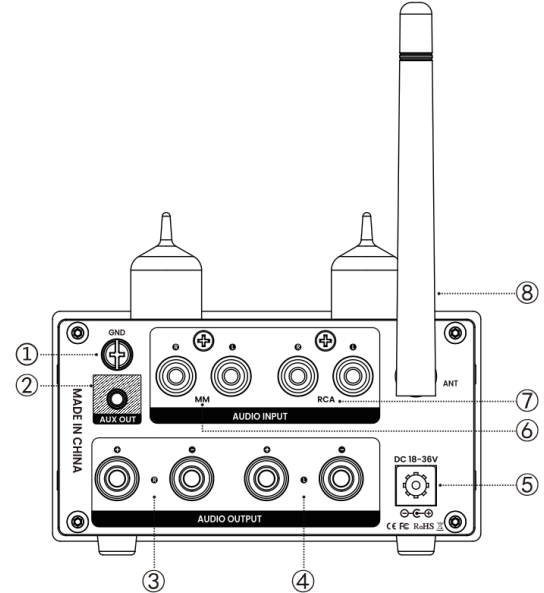
VK: <https://vk.com/aiyima>

## Front Panel Function Description



- ① ——— VU level meter
- ② ——— Bluetooth mode indicato (wait for pairing to blink, and the connection is successful)
- ③ ——— RCA mode indicator
- ④ ——— MM phono mode indicator light
- ⑤ ——— 6.35 headphone output interface
- ⑥ ——— Power switch/mode switching + volume adjustment (long press to turn on or both off, short press to switch modes; left turn the volume to decrease, right turn to increase the volume)
- ⑦ ——— Bass gain adjustment ( $\pm 6\text{DB}$ )
- ⑧ ——— Treble gain adjustment ( $\pm 6\text{DB}$ )
- ⑨ ——— Tube

## Rear Panel Function Description



- ① ——— MM phono ground wire binding post (connect the phono ground wire here to reduce the phono noise)
- ② ——— 3.5MM audio signal output (which can be connected to active speakers, active subwoofers or power amplifiers)
- ③ ——— Right channel output interface
- ④ ——— Left channel output interface
- ⑤ ——— DC power input interface (can be connected to 18-36V DC power supply)
- ⑥ ——— MM phono signal input interface
- ⑦ ——— RCA audio signal input interface
- ⑧ ——— Bluetooth antenna.

## Features And Functions

- Built-in RIAA characteristic HI-FI MM phono amplifier function
- Support RCA audio input
- Support Bluetooth audio playback
- Support 3.5MM full frequency output
- Support 6.35MM amp output
- Support treble and bass adjustment
- Support VU level indication
- Support tube

## Specifications

Output Power	160W+160W(4Ω load)	Input Sensitivity	0.775V
Frequency Response	20Hz-20KHz (±3DB)	Channel System	2.0
Audio Input	MM phono, Bluetooth, Audio input	Speaker Impedance	2-8Ω
Bluetooth Version	5.1	Headphone Output Power	32Ω 125mW
Bluetooth Audio Format	SBC, AAC, APTX, APTX-HD, APTX-LL	Power Input	DC18-36V (5-12A)
SNR	≥90dB	Dimensions	133*105*54mm
Distortion	≤0.1% (1KHZ 1W)		

## Packing List

1. Amplifier..... 1 unit
2. Power adapter ..... 1 pc
3. Electronic tube ..... 2 pcs
4. Bluetooth Antenna ..... 1 pc
5. Instruction manual ..... 1 pc

## Frequently Asked Questions

### Q: I have all the wires connected, but no sound output?

- A: 1. Check whether the POWER indicator is on or not. If it is not on, press the POWER boot button to start the machine. After pressing the power button, the indicator will still not go on. At this point, you can find a laptop to connect it to the power supply for testing to determine whether it is a machine failure or a power failure.
2. If the indicator light is on, check whether the VOL knob is in the minimum state; if it is in the minimum state, it will be normal if it is rotated clockwise
3. If the above two points are normal, check whether the input device is paused, mute or at a minimum volume.

### Q: Why does the sound break?

- A: The amplifier exceeds the normal output power, there will be a greater distortion of the situation, at this point you put the front volume or amplifier volume down on the normal.

### Q: Why does the loudspeaker produce a loud electric sound?

- A: If you are not using the original standard power supply, please replace the power supply and test again. Many power sources in the market have a large ripple interference coefficient, which will cause a large current sound.

### Q: Why does the speaker make a lot of noise when I plug in the input cord and don't connect the playback source?

- A: use the signal line without shield, there will be interference signal into the amplifier; if you hate the sound suggest you replace the signal line with shield, or pull out the signal line.

### Q: Why does my amplifier stop working after a period of time, then stop working after a period of time?

- A: Usually in this case, the amplifier is overheated and the output power may have exceeded the design power. At this point, you can lower the volume a little and try again.

### Q: Why does the volume stay the same, but the volume is different when connected to different sources (such as a CD and then a mobile phone)?

- A: The output range of different types of audio devices is different. Mobile phones are usually 0.35V, while CDS are 1V. The output signal amplitude of the sound source will directly affect the sound size.

### Q: Does this machine handle phonographs/record players?

- A: Yes, connect the output line of the phonograph/record player to the corresponding interface of the machine, and then switch the function switch to the "PHONO" file.