

# Operation Instruction

## Olide-515 Auto-door push button for disabled people



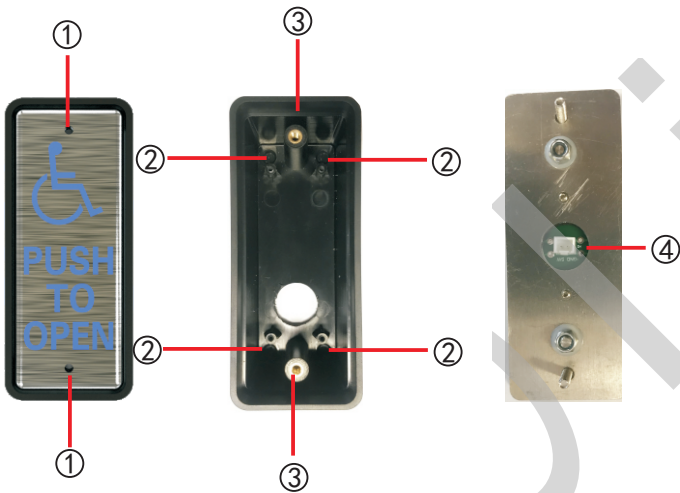
### 1 Safety Instruction

**!** Thank you for purchasing our products, please refer to the following operation sheet before usage.

### 2 Over-all Characteristic

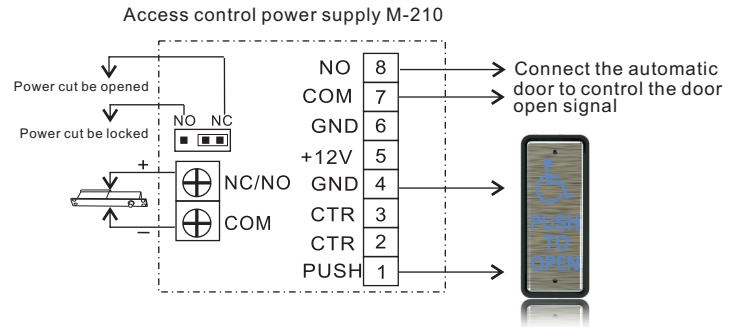
- Narrow and long panel design, the whole panel is effective when pressed.
- Button contact output, can be used in conjunction with automatic doors and access controllers
- The stainless steel stamping panel is strong and durable.
- Hidden panel fixing screw setting, the panel surface is neat and beautiful

### 3 Product Over-view

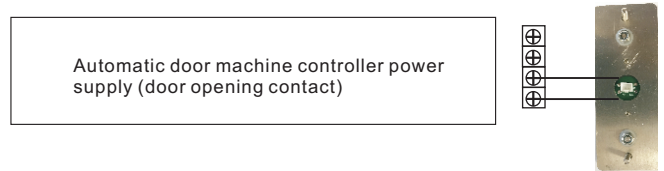


- ① Hidden holes for fixing screws on the panel, through which a hexagon socket screwdriver can be inserted into the screw.
- ② Fixed screw holes.
- ③ Panel mounting screw holes.
- ④ Wire output terminals.

### 4 Wiring Diagram of connect with access control



### 5 Wiring Diagram for connect with automatic door



### 6 Technical Parameter

Working temperature	-42°C ~ 45°C
Working humidity	10~90%RH
Contact resistance	≤50mΩ
Insulation resistance	≥100mΩ
Action intensity	250±50gf
Switch life time	10times
Switch contact capacity	30VDC 100mA
Switch size	123mm (L) × 50mm (W) × 47mm (H) (transmitter)