

# Operation instruction

## Olide-508 Narrow wireless touch-free handicap channel dedicated switch



### 1 Safety Instruction

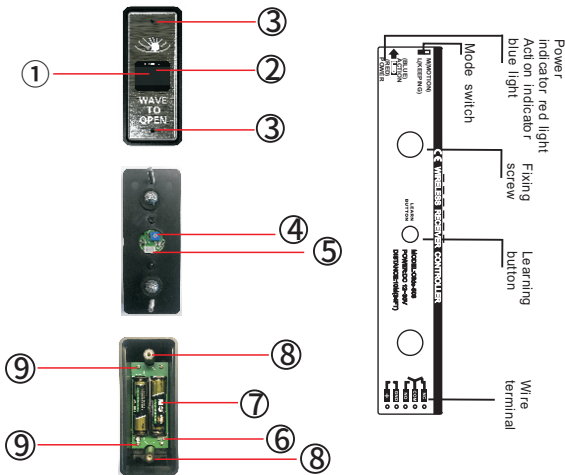
Thanks for purchasing this product. In order to use this product correctly, please read this manual carefully before use.

Avoid sunshine directly to the sensing window when installation, otherwise it will cause the sensing distance get shorter

### 2 Overall Product Characteristics

- Narrow panel design, more flexible installation
- Adopts infrared modulation and demodulation, which is not easy to be misjudged by interference.
- Non-contact induction with hands or reflective objects, clean and hygienic.
- The induction distance is adjustable from 3-30cm. It can be adjusted for different occasions.
- High sensitivity infrared, quick response.
- Wireless transmission adopts 2.4g wireless communication technology, with good frequency consistency and high wireless transceiver stability.
- Low power consumption sensor panel design, long battery life.
- Receiver large capacity output, can be used with automatic door, and access control.
- After receiving the signal, the door opening signal is output for 1.5 seconds. It is equipped with LED indicator.
- Receiver wide voltage input design, 12 ~ 30V DC power input.

### 3 Overview of Product



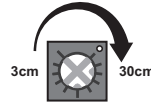
- LED indicator (Standby: blue light flashes every 1.5S; Action: green light is flickering)
- Inductive window
- Screw holes
- Adjustment screw for the sensing distance
- Power supply board connection socket
- Panel connection socket
- Battery box
- Panel fixing screw column
- Control box fixing screw hole

Adopts the self-learning code type. When using the wireless function, the transmitter must be matched with the receiver. Can learn up to 20 transmitters.

Learning method: press the learning key on the receiver for 1 second to release the blue indicator light on and enter the learning state then activation the transmitter, the blue lights flicker twice, means learning succeeded

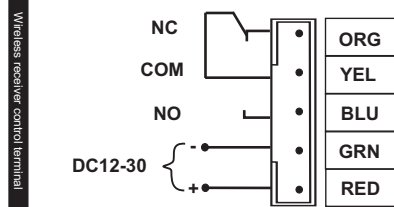
Deletion method: Press and hold the learning button for 5 seconds, the blue light flashes quickly means delete all the codes.

### 4 Induction distance adjustment

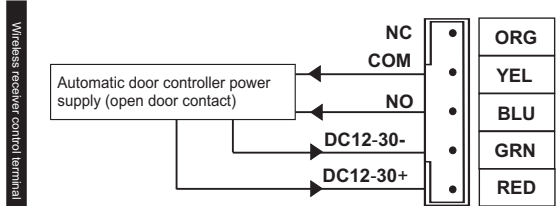


The clockwise direction the induction distance becomes farther, the counterclockwise direction the induction distance becomes closer, and the maximum induction distance is 30cm.

### 5 I/O wiring definition



### 6 The wiring diagram



Receiver and automatic door controller wiring diagram

### 7 Output state selection

- L** If the state selection switch is pulled to the M position, it is a motion output. Each time the transmitter senses, it will output a door opening signal. The door will open then close automatically.
- M** If the state selection switch is pulled to the L position, it is a signal-holding output, and the output signal is kept. Each time the transmitter senses or touches, the holding state will change once (The door will close now).

### 8 Parameters

Receiver	
Power supply	DC12~30V
Static current	30mA
Action current	74 mA (DC12V power supply)
Main contact capacity (wireless receiver)	1A 24VDC
Wireless switch	
Power supply	3V ( 2 pcs AA batteries )
Static current	≤ 80uA
Battery life	200times/day ,can use 250days .
Emission current	10mA
Infrared modulation frequency	38KHz
Infrared scanning interval	100ms
Response time	≤ 130ms
Working temperature	-42°C~ 45°C
Working humidity	10~ 90%RH
Launch distance	More than 30meters in the open area, Partition wall or metal shielding environment only 10 meters
Size	121mm (L) × 51mm (W) × 45.5mm (H) (panel) 110mm (L) × 30mm (W) × 15mm (H) ( Receiver )

#### CE Certification

EN300440, EN301489-1, EN301489-3, EN62479, EN62368-1  
FCC ID: 2AW20CNB-512

This device complies with part 15 of the FCC Rules. Operation is subject to the following two conditions: (1) This device may not cause harmful interference, and (2) this device must accept any interference received, including interference that may cause undesired operation.