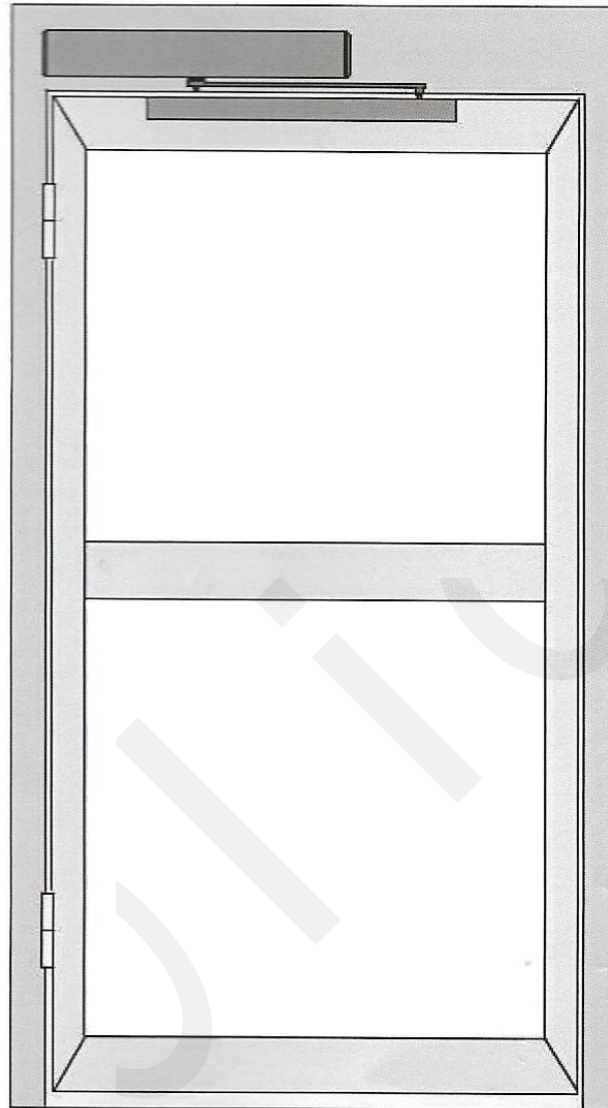


Olide

INSTALLATION MANUAL

Automatic swing door opener Olide-120B



AUTOMATIC DOOR SPECIALISTS

INSTALLER NOTES:

The programming of the Open&Close stopping points will occur after the initial hardware installation. An uninstalled unit will result in constant motor rotation. For support, please email us: tech@olideautodoor.com

Contents

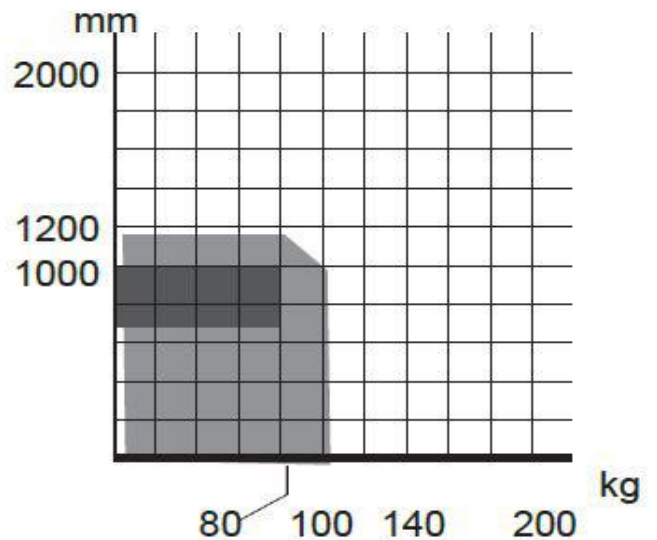
1. Technical Parameters.....	1
2. Components.....	2
3. Installations.....	3
3.1 Installation example.....	3
3.2 Installation of base plate.....	4
3.3 Installation of pull arm.....	5
3.4 Installation of push arm.....	6
3.5 Installation of Push arm for frameless glass door.....	8
3.6 Installation of Pull arm for frameless glass door.....	8
3.7 Installation of operation system.....	9
3.8 Installation of cover.....	9
3.9 Connection the operation system with the pull arm.....	10
3.10 Connection the operation system with the push arm.....	11
4. Electrical Connections.....	12
Control panel details.....	12
4.1 Connections with a keypad	12
4.2 Connections with a microwave sensor	13
4.3 Connections with PIR sensors	13
4.4 Connections for a safety motion top scan	13
4.5 Connections for push buttons.....	14
4.6 Connections for wiring disabled push buttons.....	14
4.7 Connections for wireless handicapped push buttons	14
4.8 Connections for magnetic locks	15
4.9 Connections for electric locks.....	15
4.10 Connection with the touchless hand sensor switches	15
4.11 Connecting to wireless touchless sensor switch Olide-508,Olide-512	16
4.12 Connecting to wired touchless sensor switch Olide-514,Olide-513 and Olide-513.....	16
4.13 Connecting to wired touchless sensor switch Olide-514,Olide-513 and Olide-513N.....	16
4.14 Connecting to wired narrow handicap push button 515.....	17
4.15 Double door synchronous settings.....	18
4.16 Wireless push buttons settings.....	19
4.17 Remote control settings.....	20
5. Parameters Adjustment.....	21
5.1 hand programmer instruction.....	21
5.2 adjustment steps.....	22
6. Trouble Shooting.....	23

Voltage:	110-220 VAC +/-10%	
Power Consumption:	50W	
Opening Time:	3-7 sec. @ 90 degrees	
Hold Open Time:	1-30 sec. Adjustable	
Max. Door Frame Depth:	450mm / 17.7"	
Door Width:	Min. 660mm / 26"	Max. 1200mm / 47.2"
Max. Opening Angle:	120 degrees	
Environment Temperature:	-20C to 50C	-4F to 122F
Protection Class:	IP12D	
Product Weight:	9Kg	19.8lbs
Dimensions:	L540 x H100 x W80mm L21.2" x W3.9" x H3.14"	

mm=Door width
kg=Door weight

 Suitable range

 Range limit



2 Component

Base Plate:

Power cable hole

Sensor cable hole



Motor Assembly:



Brushless DC motor



Strong gear system



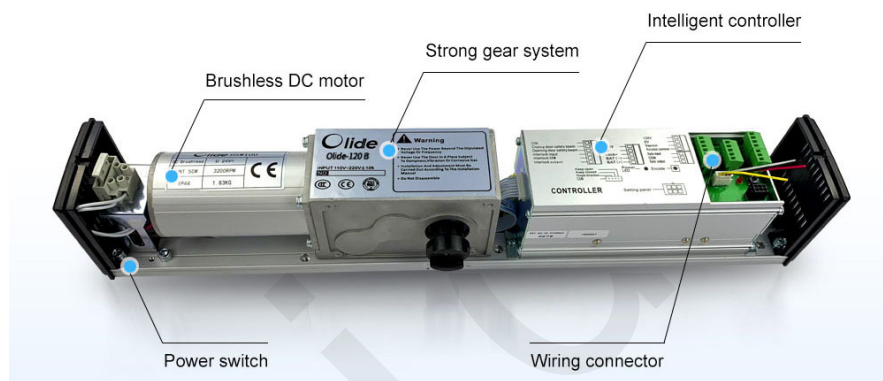
intelligent controller



Power switch



Wiring connector



Cover Plate:



Pull Arm(Option for inswing opening)



Push Arm(Option for outswing opening)



Pull Arm(Option for frameless glass inswing opening)



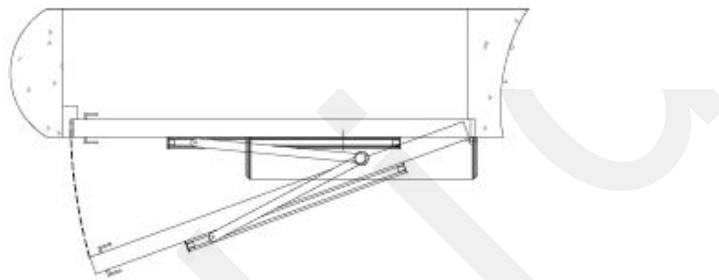
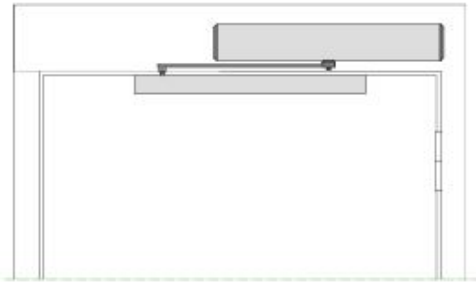
Push arm glass clamp

3 Installation

3.1 Installation example

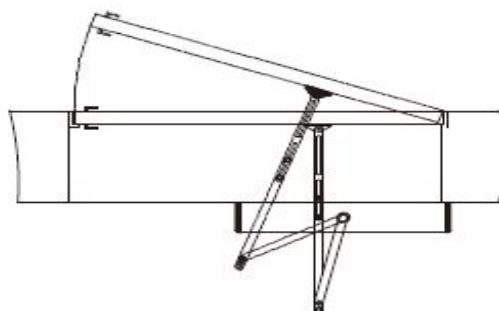
Pull Arm

The door opens to the inside toward the unit using the pull arm assembly.



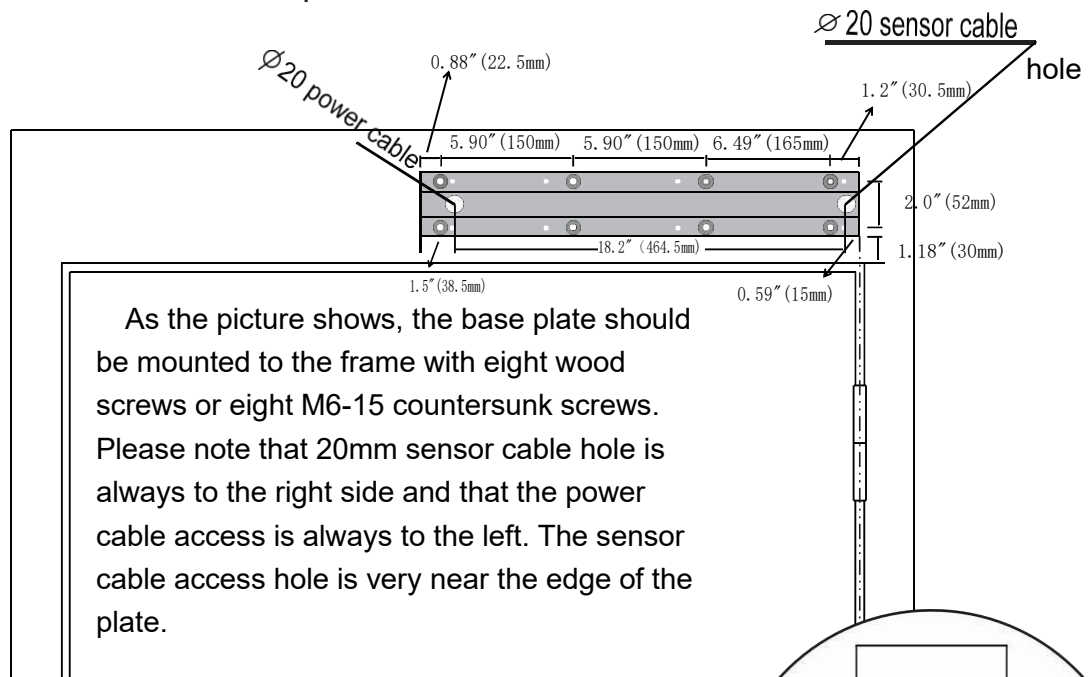
Push Arm

The door opens to the outside away from the unit using the push arm assembly.

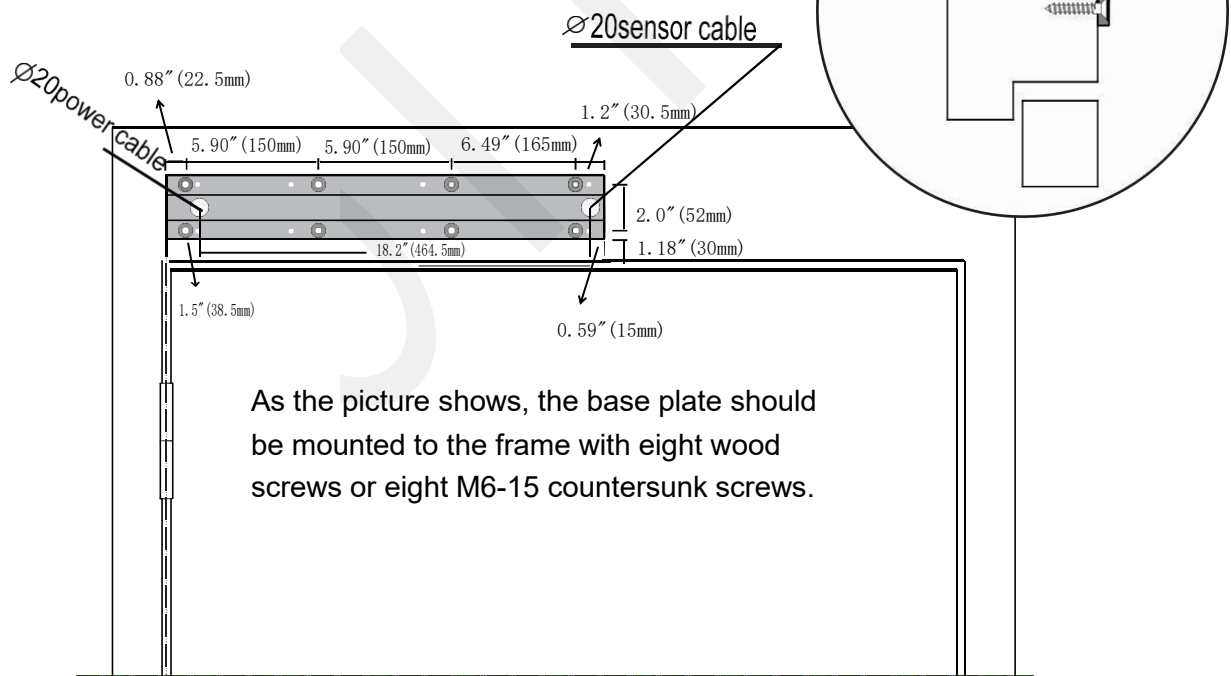


3 Installation

3.2 Installation of base plate



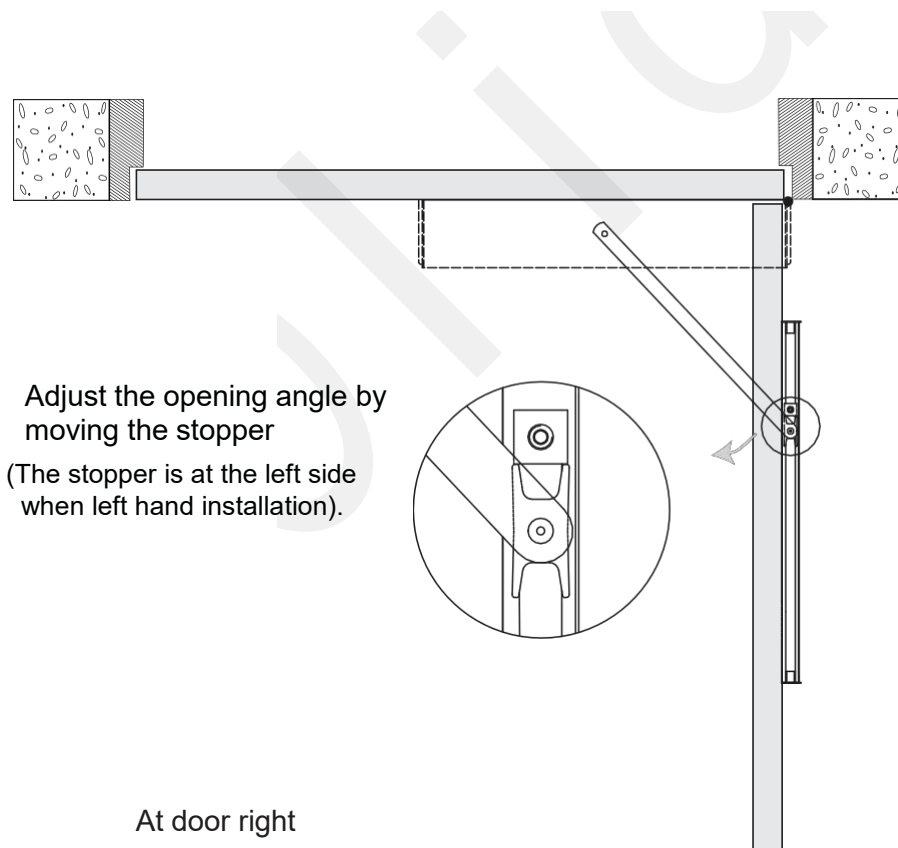
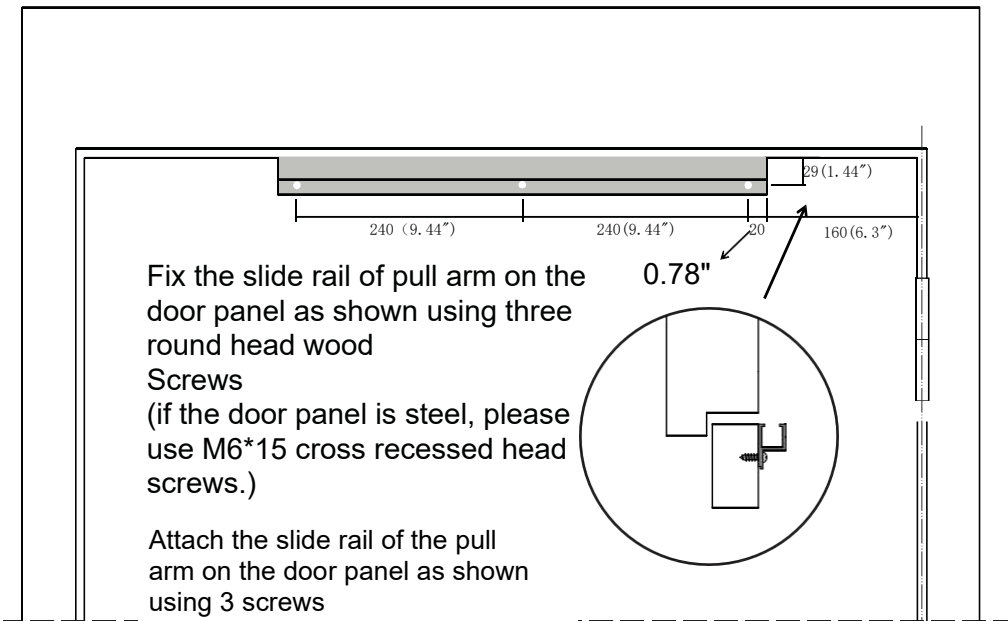
Right side hinge



Left side hinge

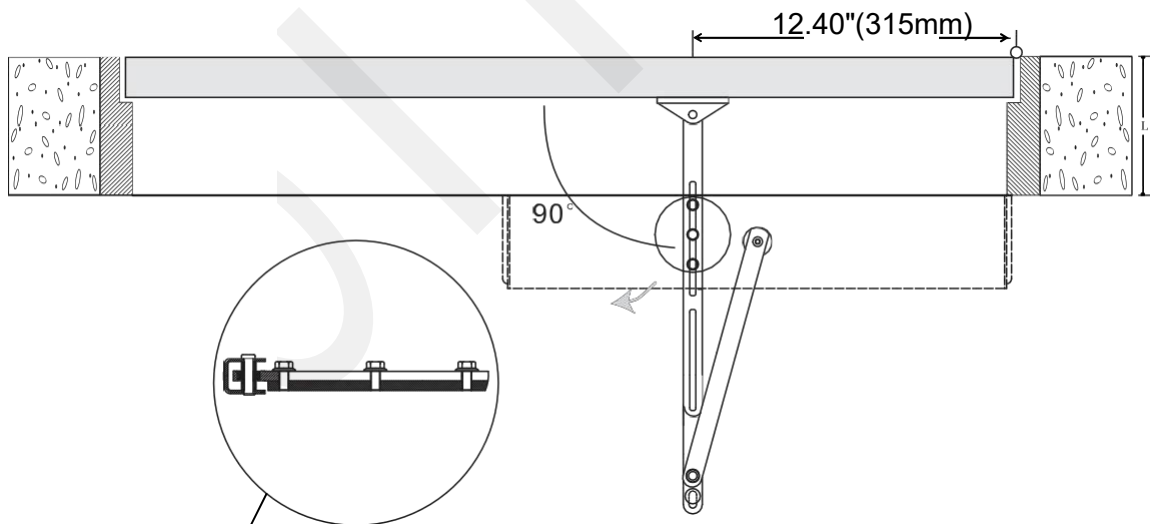
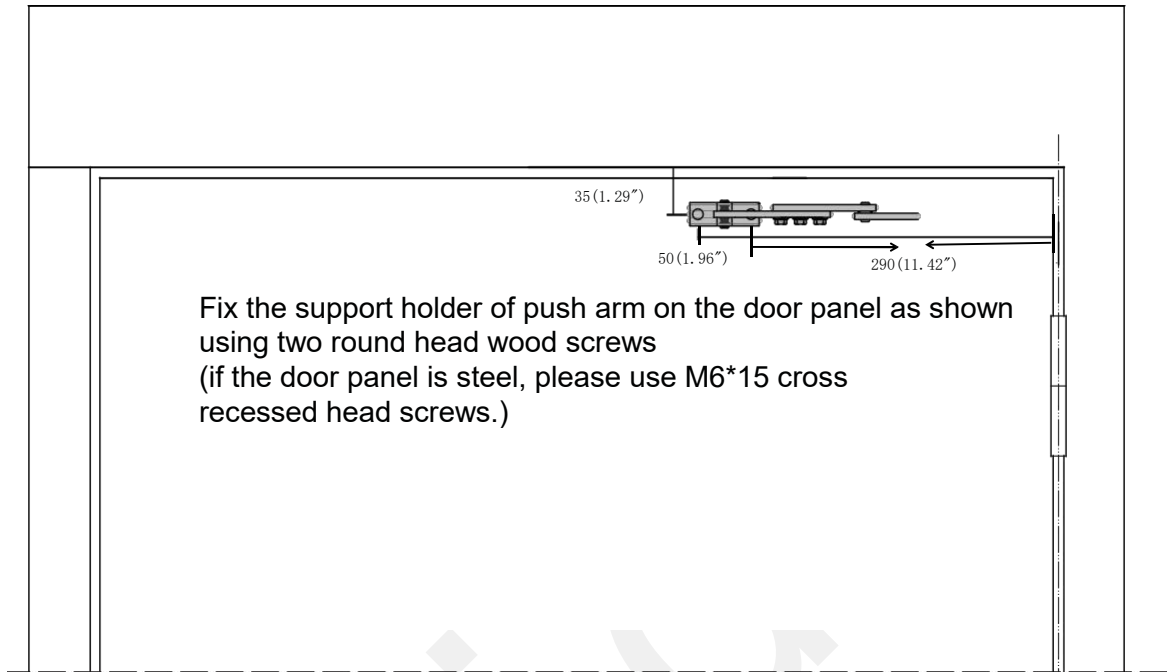
3 Installation

3.3 Installation of Pull arm



3 Installation

3.4 Installation of Push arm

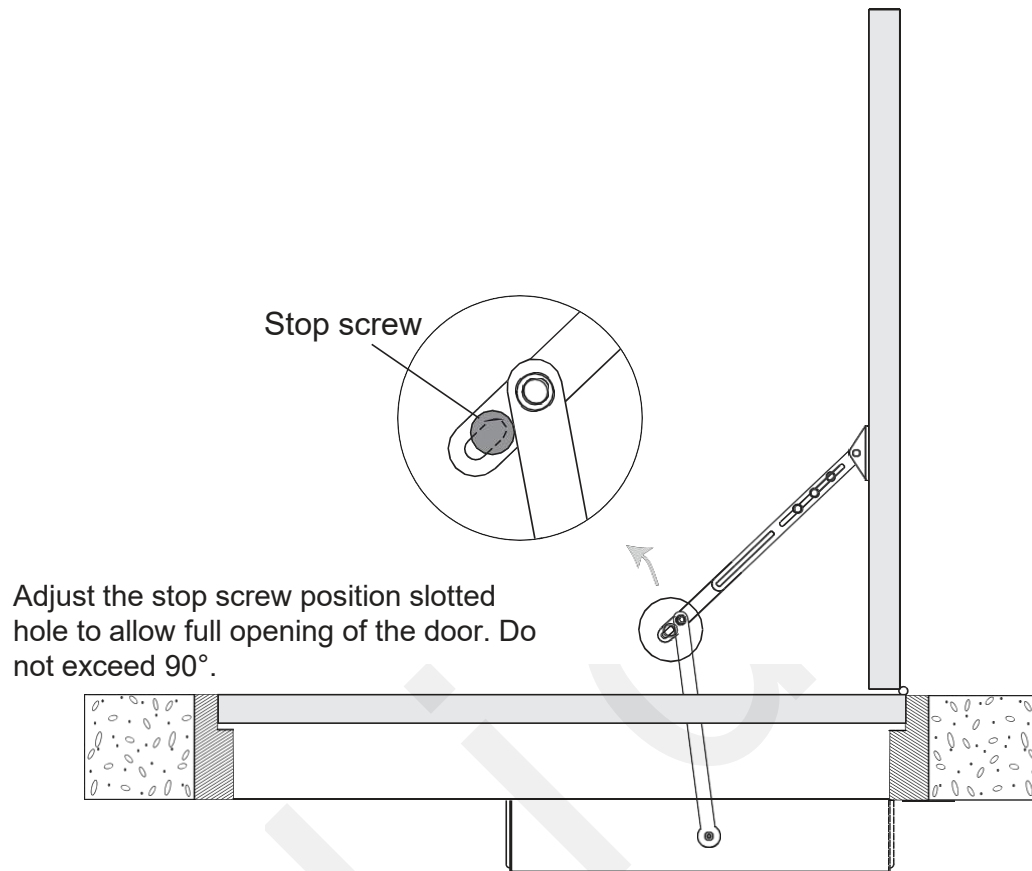


Loosen this 3 bolts and adjust the push arm length according to the door depth(L) until the angle between the push arm and the door panel is 90° .

At door right

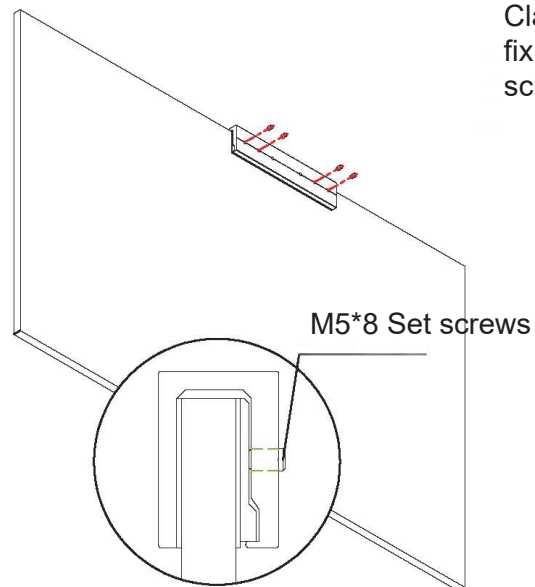
3 Installation

3.4 Installation of Push arm

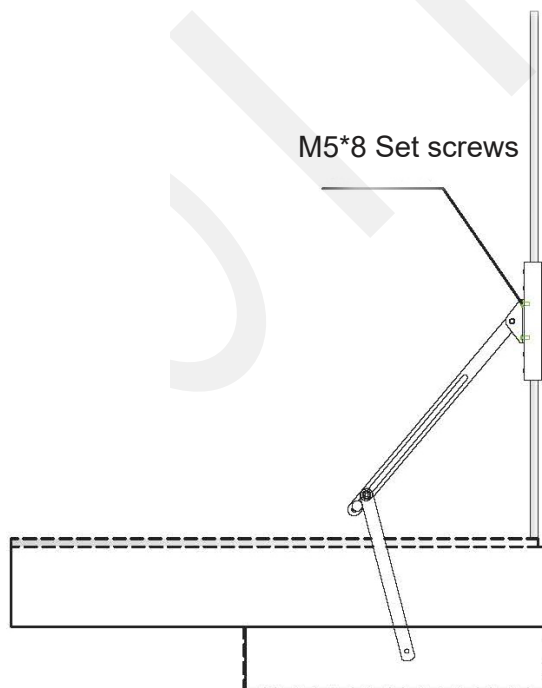


3 Installation

3.5 Installation of Push arm for frameless glass door



Clasp the door with door clamp tightly, then fix the clamp with M5*8 Hexagon socket set screws.

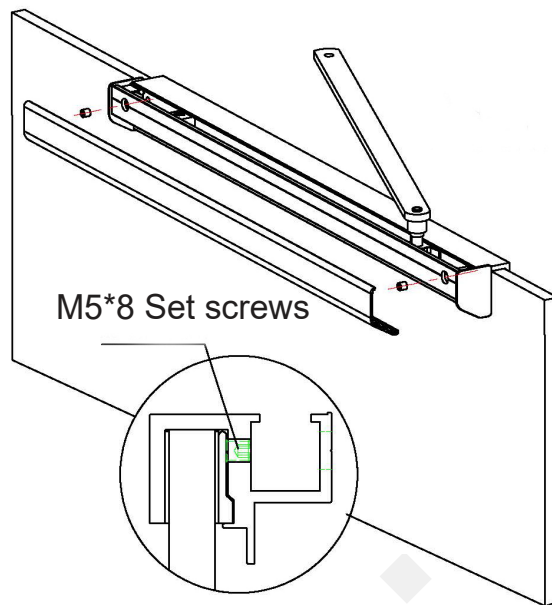


Please connect the push arm to the door clamp with the M5*8 Hexagon socket set screws.

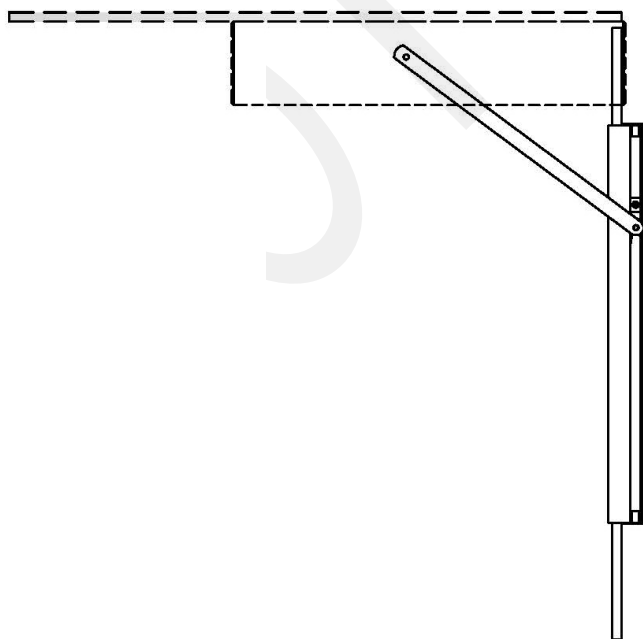
Then connect the push arm to the motor.

3 Installation

3.6 Installation of Pull arm for frameless glass door



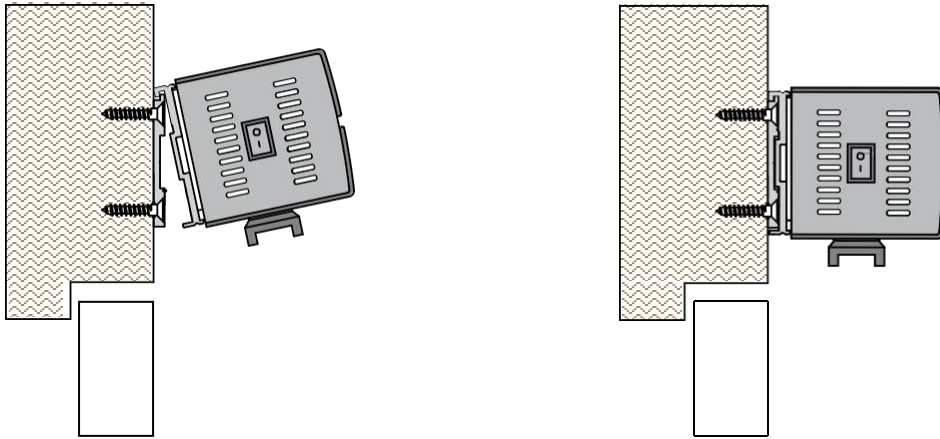
Clasp the door with door clamp tightly, then fix the clamp with M5*8 Hexagon socket set screws.



Connect the pull arm to the motor.

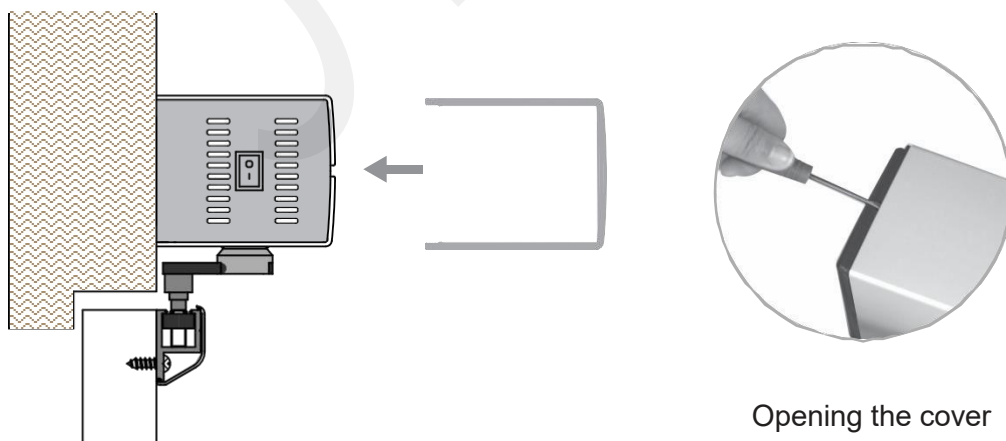
3 Installation

3.7 Installation of operation system



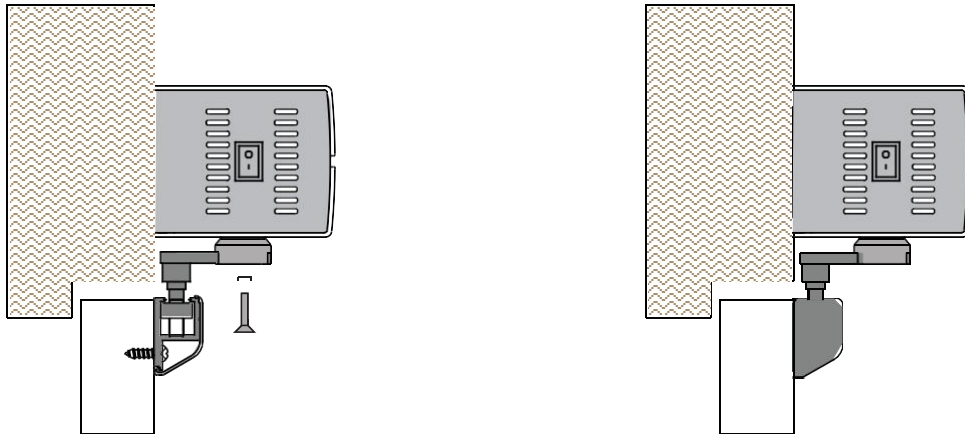
Hook the component assembly onto the base plate as shown.
Attach it with 8 allen head screws

3.8 Installation of Cover

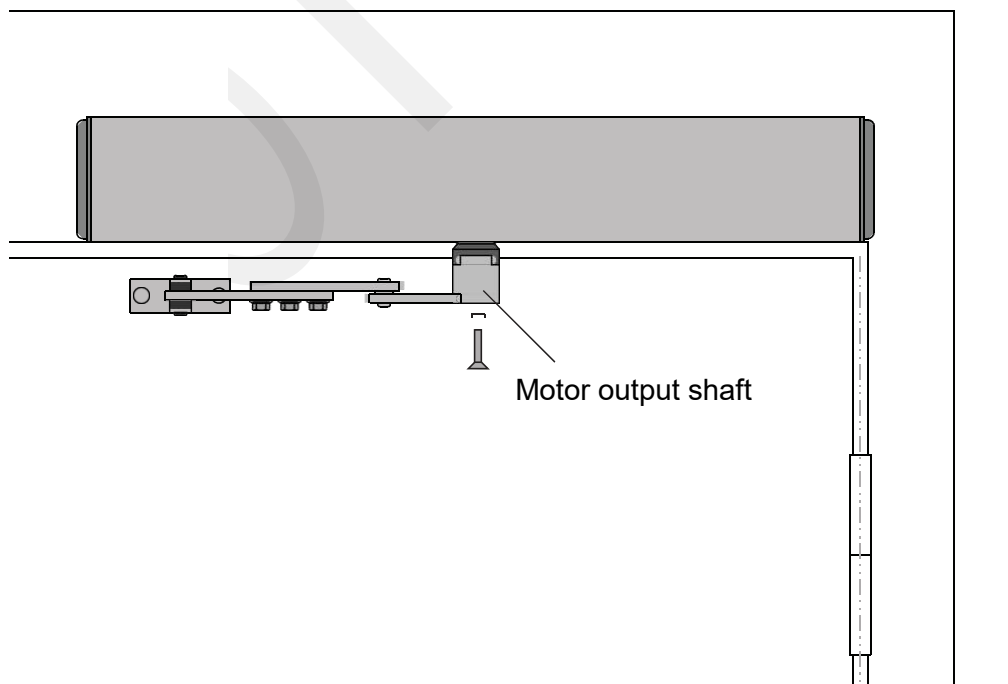


3 Installation

3.9 Connect pull arm to the operation system

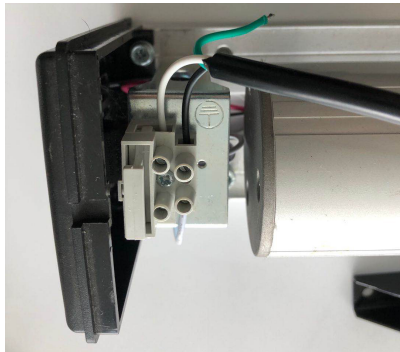


3.10 Connect the push arm to the operation system.

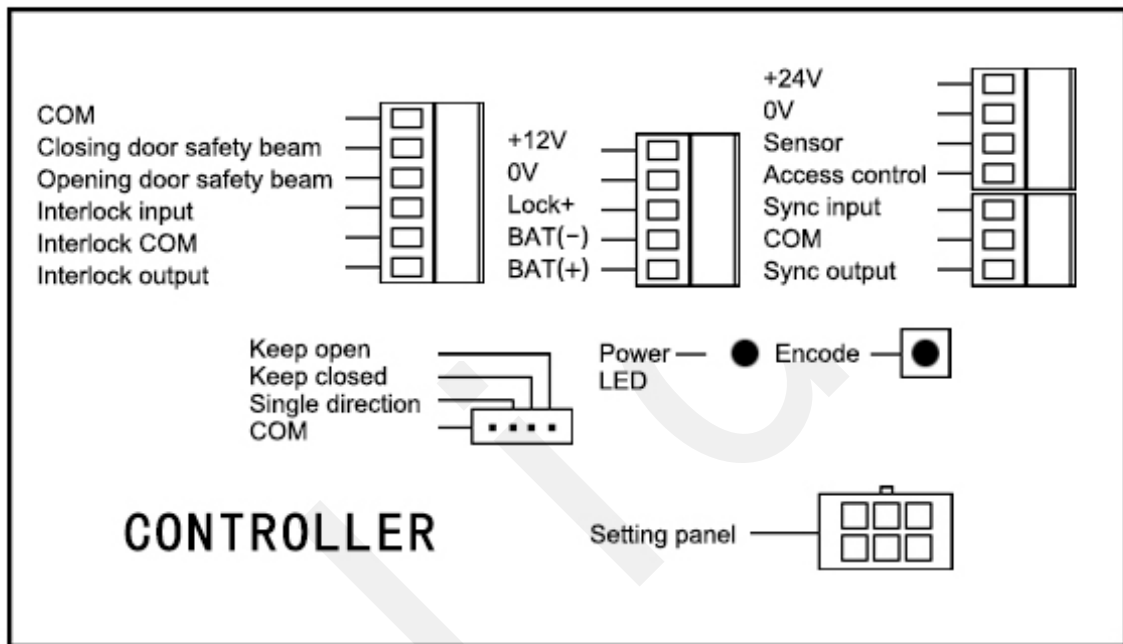


4 Electrical Connections

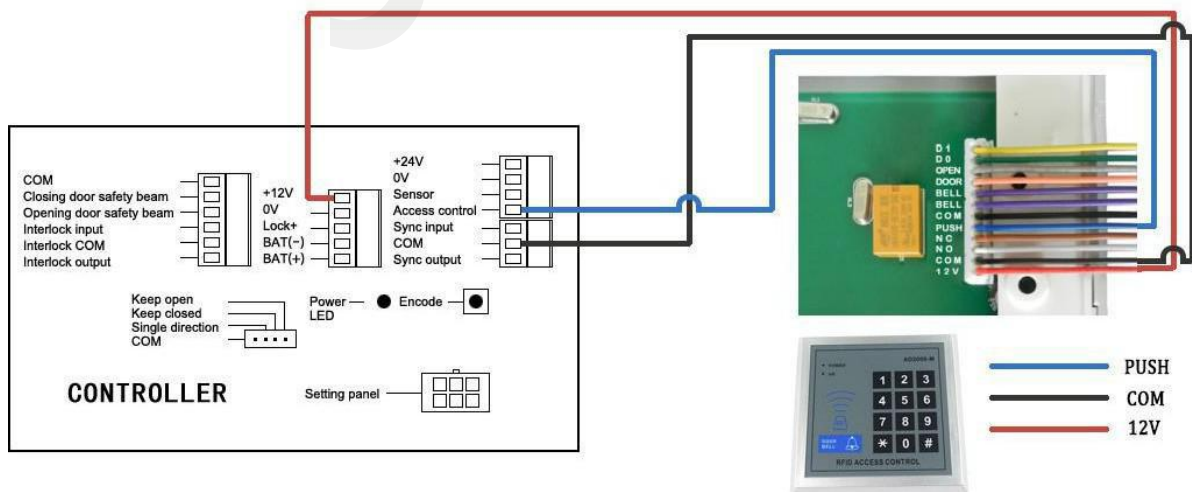
Control panel details



Power wiring:
Please connect the 110V-240V AC power input according the left picture.

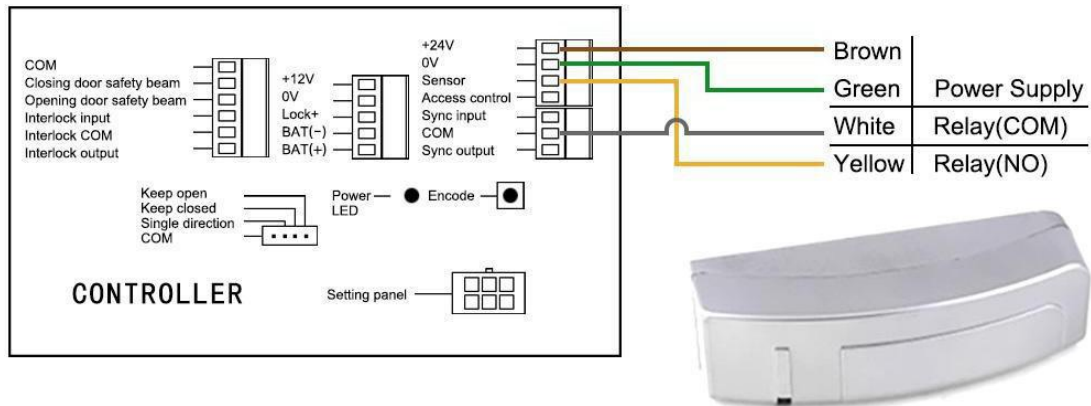


4.1 Connecting with keypads

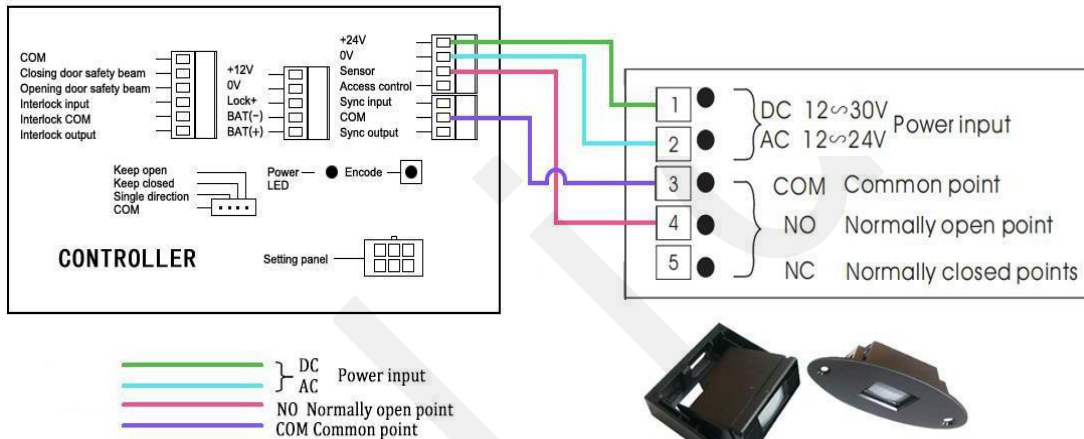


4· Electrical Connections

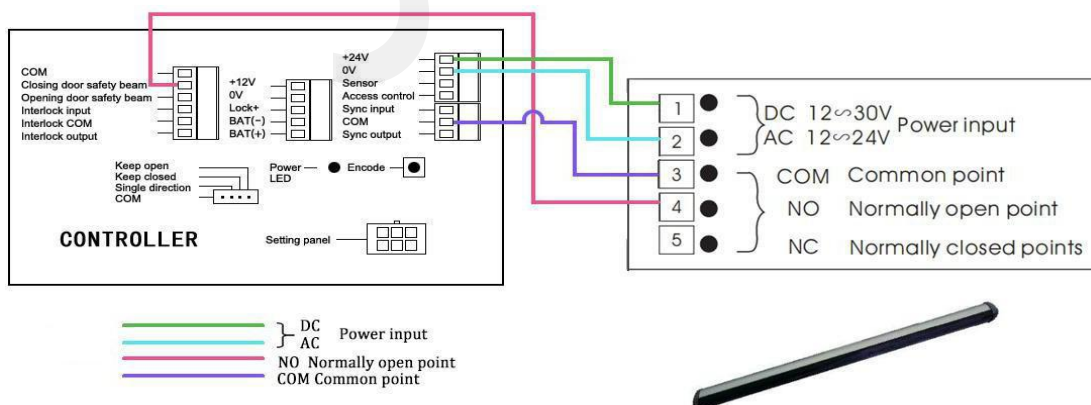
4.2 connecting to microwave sensors



4.3 connecting to PIR sensors

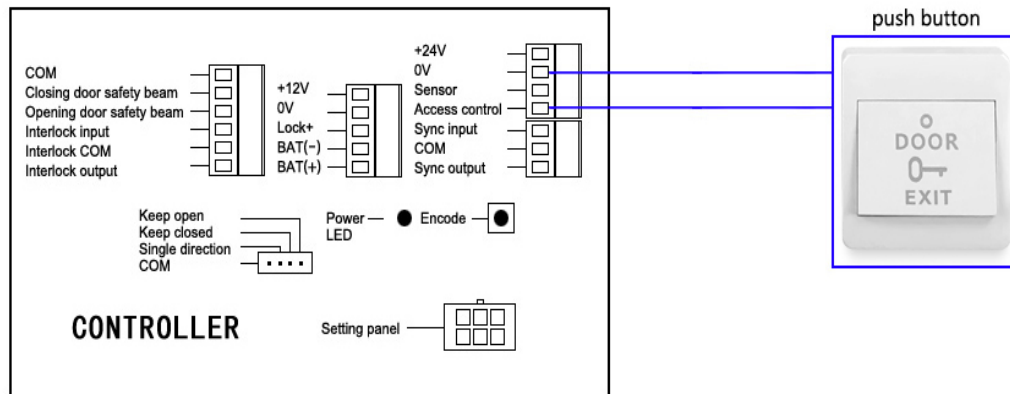


4.4 Connecting to safety motion top scans

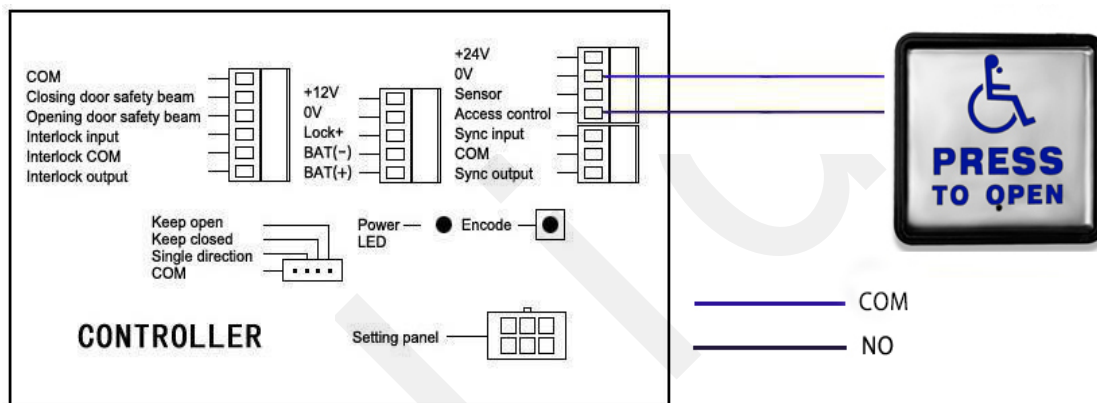


4 Electrical Connections

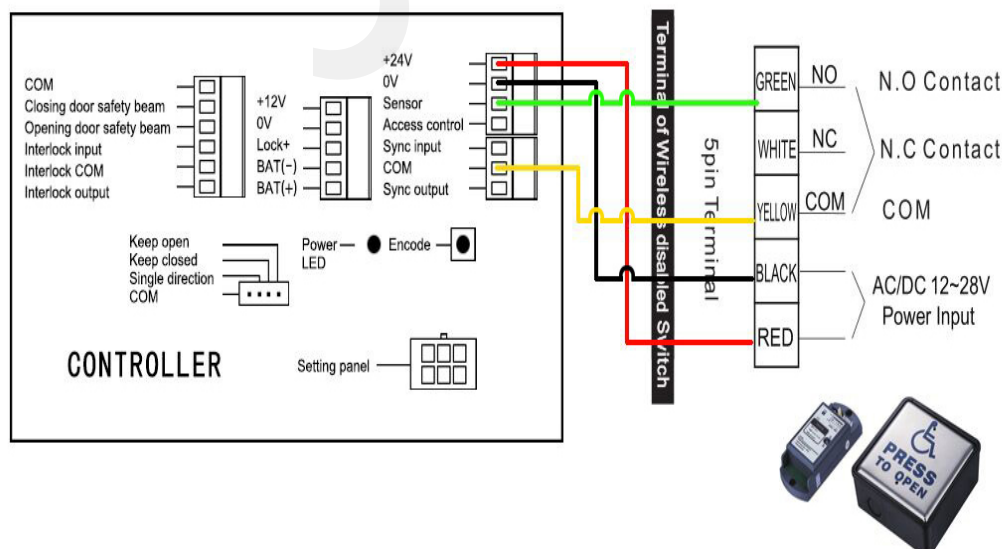
4.5 Connecting to plastic push buttons



4.6 Connecting to wiring disabled push buttons



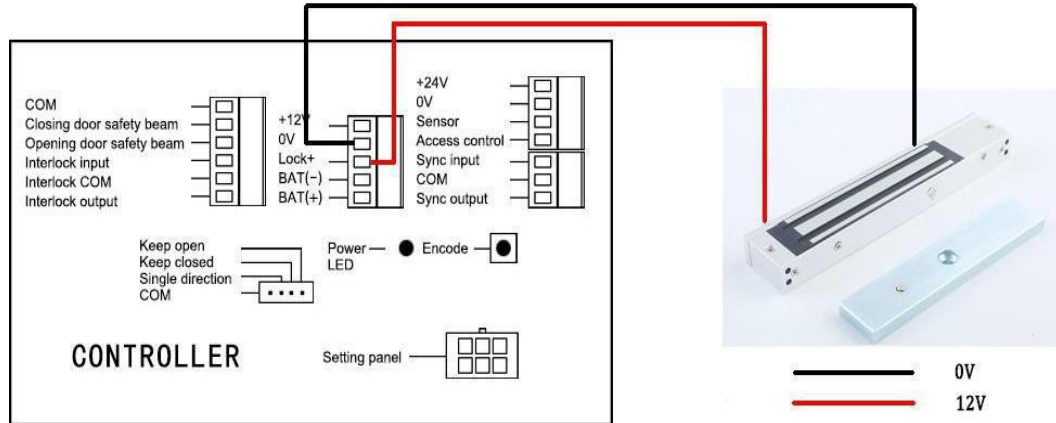
4.7 Connecting to wireless handicapped push buttons



4· Electrical Connections

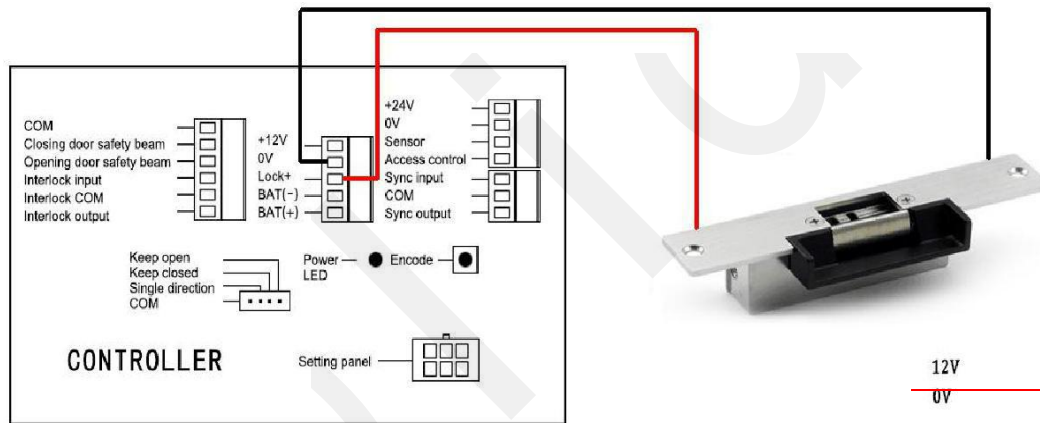
4.8 Connecting to magnetic locks

(Important Notes:As maglocks need constant power-You will need to press the LOCK button on the keychain remote control to initialize for it.It will work normally afterwards.)

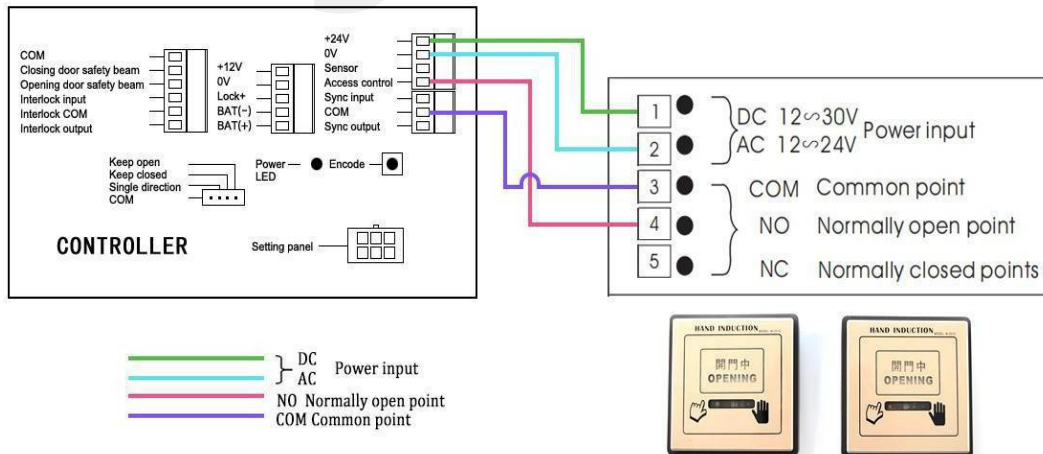


4.9 Connecting to electrical locks

(Important Notes:As maglocks need constant power-You will need to press the LOCK button on the keychain remote control to initialize for it.It will work normally afterwards.)

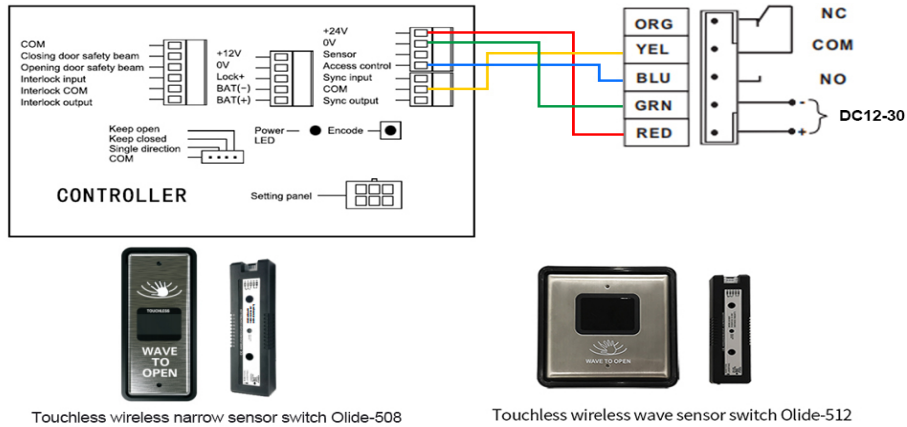


4.10 Connecting to hand sensor switches

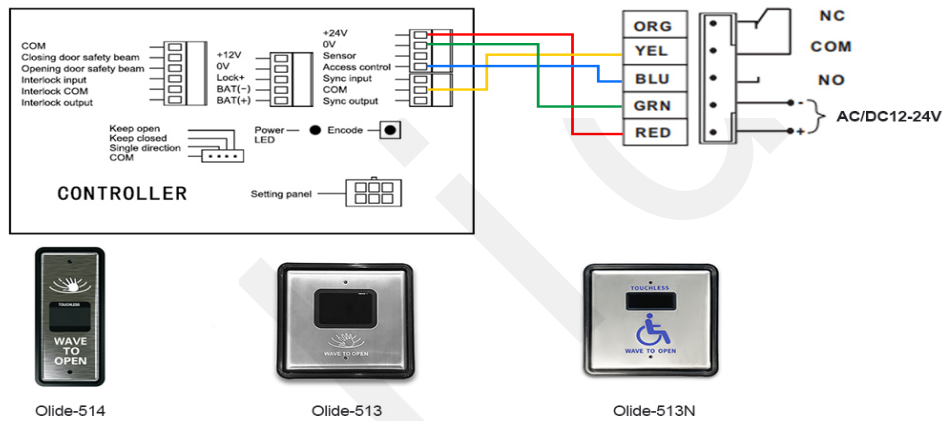


4 Electrical Connections

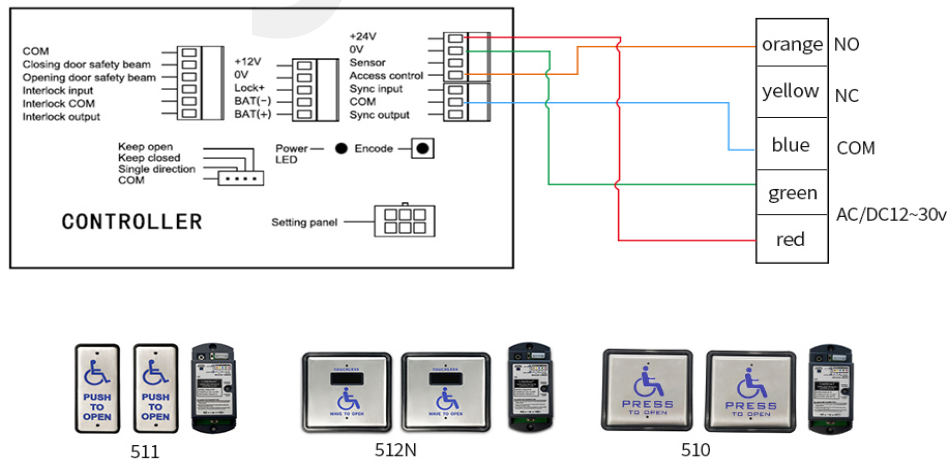
4.11 Connecting to wireless touchless sensor switch Olide-508,Olide-512



4.12 Connecting to wired touchless sensor switch Olide-514,Olide-513 and Olide-513N

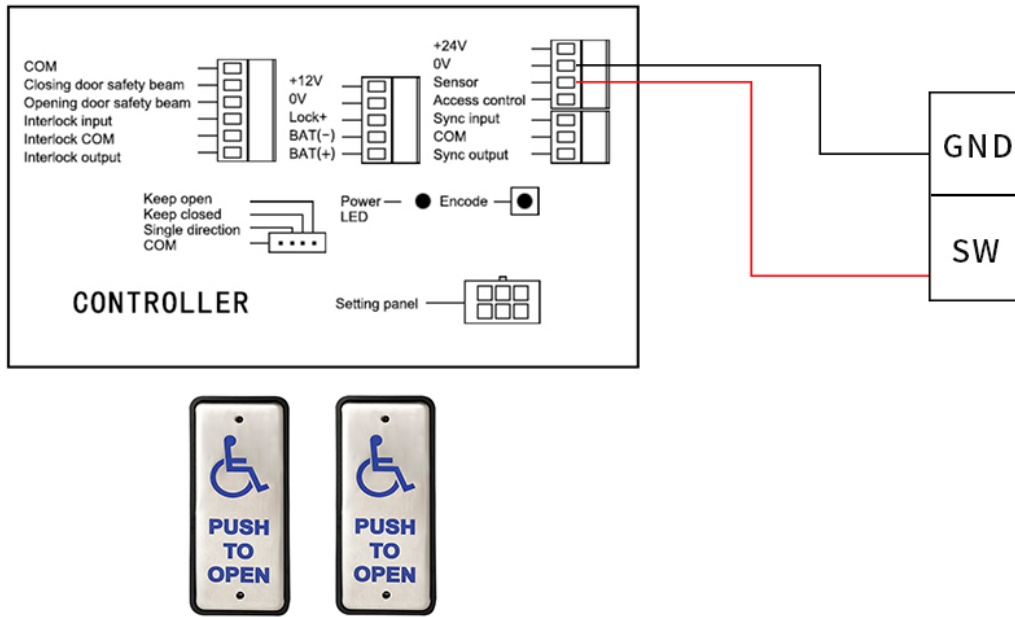


4.13 Connecting to wired touchless sensor switch Olide-514,Olide-513 and Olide-513N



4 Electrical Connections

4.14 Connecting to wired narrow handicap push button 515

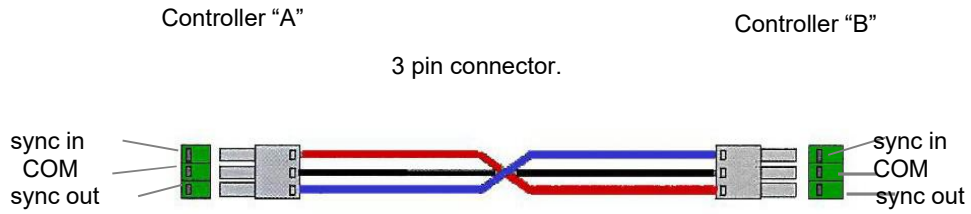


Wired narrow handicap push button 515

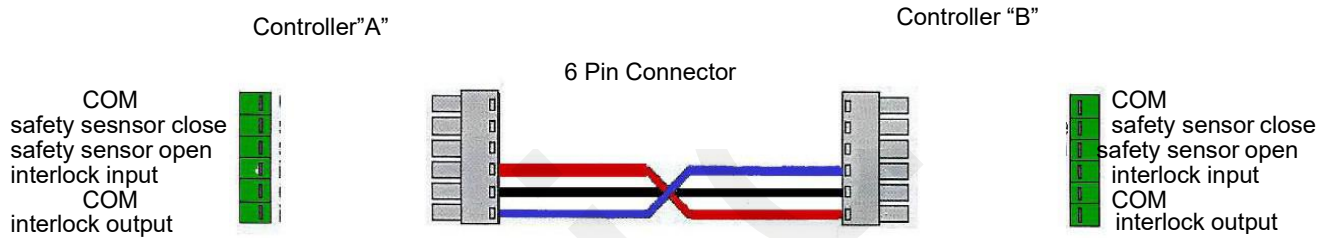
4 Electrical Connections

4.15 Double door synchronous

connections **double door synchronous** :



Interlock:



Please use the hand programmer for setting the double door synchronous . The detailed steps and written on the Page 21 and 22.

4.16 Wireless push buttons settings

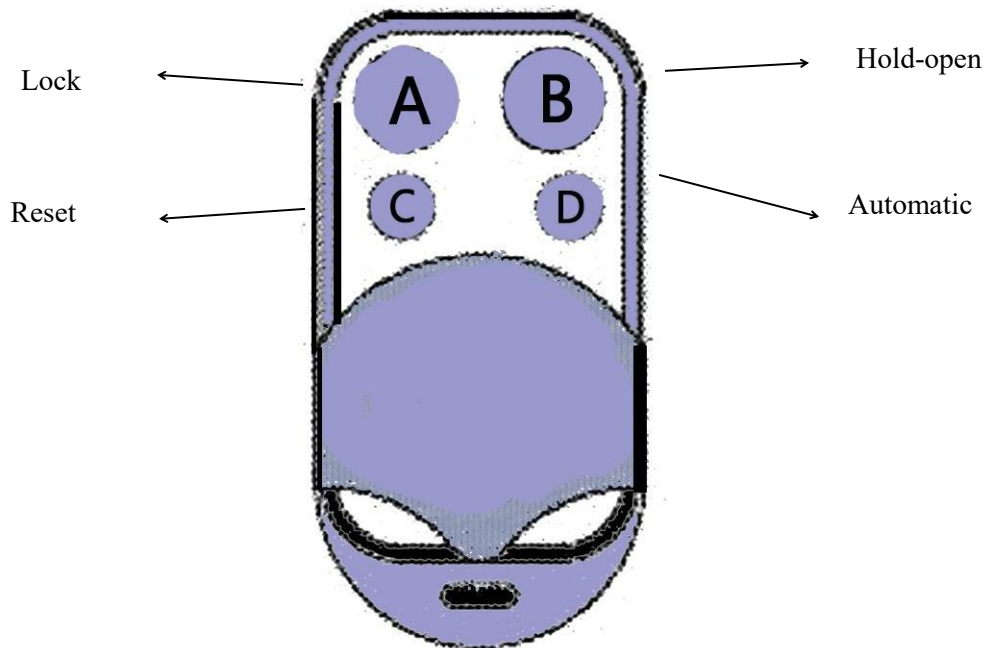


The wireless push button need to encoded with the door opener

Steps:

1. To delete: Press the "encode" button until the buzzer sound ceases, then release the "encode" button.
2. To pair: Press the "encode" button once- the buzzer will sound. Now press the "PRESS" button, the buzzer sound will cease, indicating that the code has successfully been learned. When you use the remote control, the buzzer will sound for 2 seconds.
3. Note: If you press the "PRESS" button, and if the buzzer sounds twice- this is indicating that the learning process has failed, please repeat step 2 again.

4.17 Remote control settings



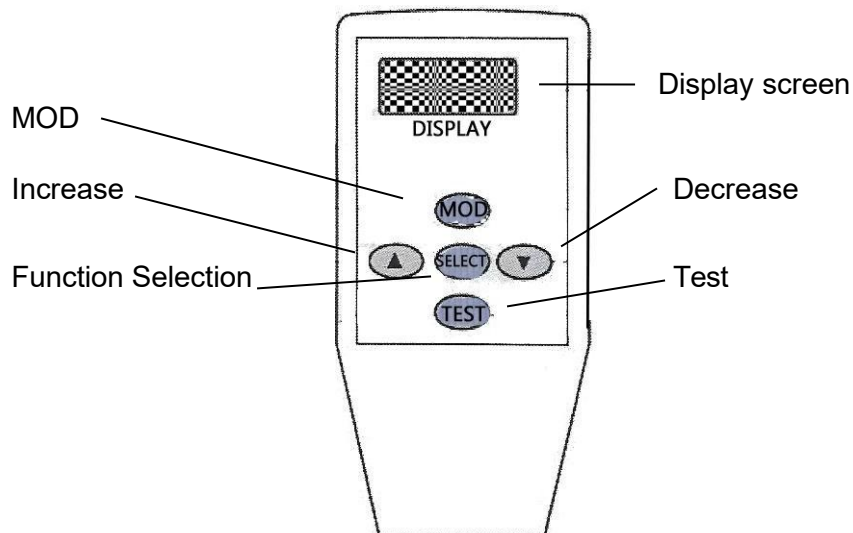
The remote control are pre-encoded to work with the door opener.
Nevertheless, here is the process for encoding the remote with the opener.

1. To delete all codes: Hold the “Encode” button on the component assembly until the buzzer is silent.
2. To pair: Hold the “Encode” button until the buzzer sounds.
 - Then press any button on the remote control.
 - The buzzer should silence meaning that encoding process is complete.
3. If successful: when the remote control is used the buzzer will sound once, for 2 seconds.
If the buzzer beeps twice, this means that the encoding has failed. Repeat step 2.
4. To open the door momentarily: Press the "Automatic" button once.

Note: A maximum of 30 keychain remotes can be used on any one operator.

5 Parameters Adjustment

5.1 Hand programmer instruction



Display Screen guide and function display

F – 1 work parameters

os = opening speed

od = opening low speed angle

cs = closing speed

cd = closing low speed angle

jb = closing force

ok = opening hold time

ERR3: Time out → Need to Replug

ERR4: Date Error → Need to Repair

F – 2 door parameters

n1 single/double door

n2 master/slave

n3 synchronize settings

o manual open door settings

L lock mode selection

F open direction settings

P door closer settings

increase operation = increase data

decrease operation = decrease data

function select / confirm parameter data

→ next parameter

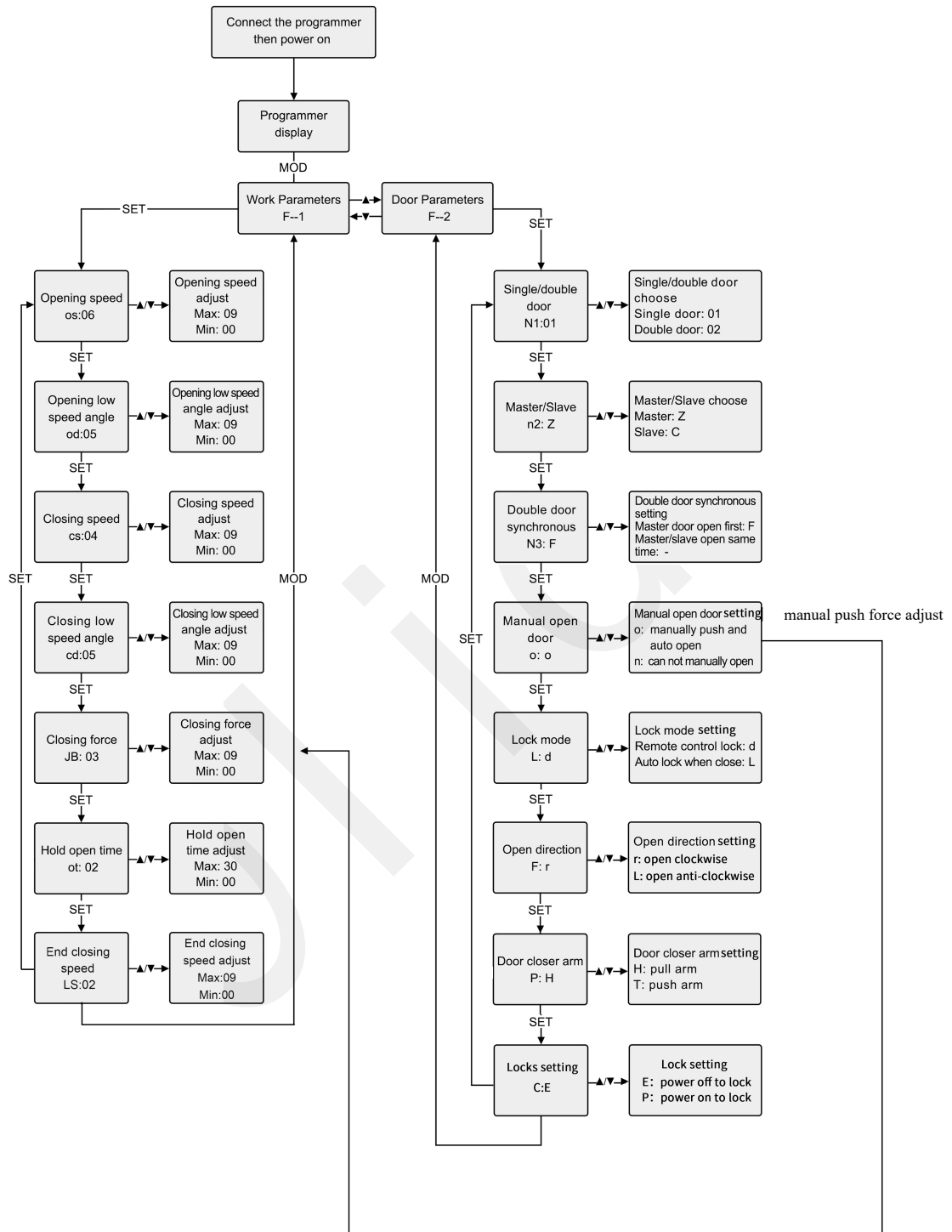
→ parameters saved

→ parameters send

TEST = check settings and test the door

5 Parameters Adjustment

5.2 adjustment steps



Note: If you want to adjust the manual push force for push&go function, just adjust the closing force accordingly.

Symptoms	Remedies
The door opens in the wrong direction.	Turn the power off, manually open the door halfway. Turn the power back on, check to see the door closes in the correct direction. If not change the opening direction using the Handheld Programmer.
The door constantly rebounds when closing and repeatedly tries to open and close.	Check for obstacles in the path of travel of the door-clear objects as necessary. You can also try increasing the closing force using the Handheld Programmer.
The lock output doesn't work.	Ensure you have pressed the lock button on the remote (initial use only)

