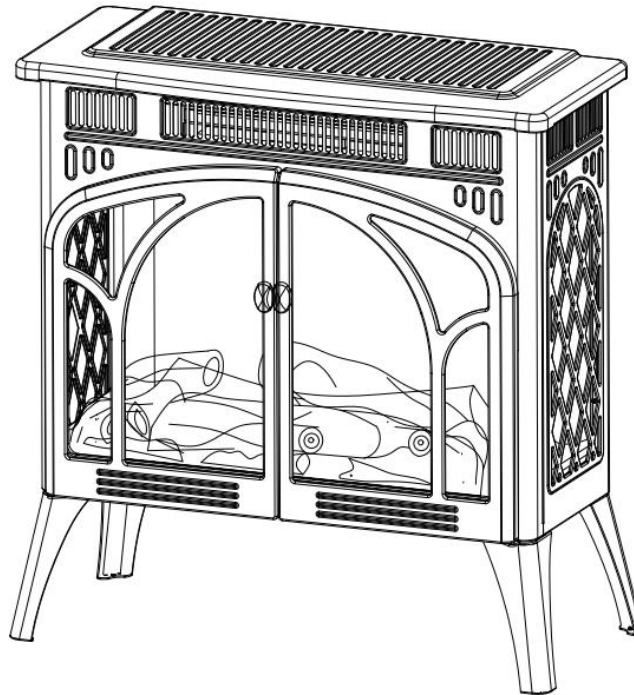


IMPORTANT INSTRUCTIONS AND OPERATING MANUAL

ELECTRIC FIREPLACE



S230B-BLACK/GREY

MODEL NO: RFS-230

NO VENTING REQUIRED



WARNING

Read and understand this entire owner's manual, including all safety information before plugging in or using this appliance. Failure to do so could result in fire, electric shock, or serious personal injury.

**Add: ROWAN ELECTRIC APPLIANCE LLC 28407 Ascent Way, Santa Clarita, CA 91350
Phone: 213-4467172 or 661-4358826**

CERTIFIED UNDER CANDIAN AND AMERICAN NATIONAL STANDARDS: ETL



Table of Contents

IMPORTANT SAFETY INSTRUCTIONS	2
1.0 PACKING LIST	4-5
1.1 DIMENSIONS.....	5
2.0 ELECTRICAL INSTALLATION NOTES.....	6
2.1 GENERAL INSTRUCTIONS.....	6
3.0 INSTALLATION INSTRUCTIONS.....	7-8
3.1 UNPACKING AND TESTING APPLIANCE WALL	7
3.2 GROUNDING APPLIANCE.....	7
3.3 ASSEMBLY	7-8
4.0 OPERATING INSTRUCTIONS.....	9-11
4.1 CONTROL PANEL.....	9
4.2 REMOTE CONTROL OPERATION	9-10
4.3 REMOTE CONTROL	11
5.0 TROUBLE SHOOTING GUIDE	12-14
6.0 MAINTENANCE	15
6.1 PARTIALLY REFLECTIVE GLASS CLEANING.....	15
6.2 SCHEMATIC DIAGRAM	15
7.0 LIMITED WARRANTY	16

IMPORTANT SAFETY INSTRUCTION



WARNING

These instructions should be carefully read before installation and retained by the user. The booklet must be kept and delivered to the new user in case of disposal of the heater. The manufacturer reserves the right to vary the features of the product without prior notice. The technical data are indicative only.

- 1. THIS APPLIANCE IS HOT WHEN OPERATED AND CAN CAUSE SEVERE BURNS IF TOUCHED.**
2. Do not operate the appliance before reading and understanding operating instructions. Failure to operate the appliance according to operating instructions could cause fire or injury.
3. Keep combustible materials, such as furniture, pillows, bedding, papers, clothes, and curtains at least 3 feet(0.9 m) from the front of this appliance and keep away from the sides and the rear. **WARNING:** To avoid overheating, do not cover the heater. The clearance may be inadequate when installed in a Recreational Vehicle with the slide-out closed.
4. Risk of burns. Power to the appliance should be turned off, and the appliance should be allowed to cool before servicing. To disconnect the appliance from the power supply, turn off the controls, and then remove the plug from the outlet.
5. Do not install damaged, incomplete, or substitute components.
6. Young children should be carefully supervised when they are in the same room with the appliance. Toddlers, young children, and others may be susceptible to accidental contact burns.
7. To prevent accidental swallowing, media bed kits should be kept away from children and infants.
8. The remote control contains small batteries. Keep them away from children. If swallowed, seek medical assistance immediately.
9. Do not recharge the batteries. Do not mix the batteries with the used ones or other battery types, store them with hazardous or combustible materials, or place loose batteries in a pocket, purse, or other container containing metal objects.
10. Ensure that you have incorporated adequate safety measures to protect infants/toddlers from touching hot surfaces.
11. It is imperative that the control compartments, circulating blower, and its passageway in the appliance are kept clean. The appliance should be inspected before use and at least annually by a qualified service person.
12. Under no circumstances should this appliance be modified.
13. Do not use this appliance if any part has been in contact with water. Immediately call a qualified service technician to inspect the appliance and to replace any part of the control system which has been in contact with water.
14. Do not operate the appliance with the glass door removed, cracked, or broken. A licensed or qualified service person should do the replacement of the glass.
15. Do not strike or slam shut the appliance's glass door.
16. Keep the packaging material out of reach of children and dispose of the material in a safe manner. These are not toys as with all plastic bags and should be kept away from children and infants.
17. Servicing should be done only while the appliance is disconnected from the power supply circuit.

18. Always unplug the appliance when not in use.
19. Do not operate this appliance with a damaged cord or plug after the appliance has been defective, dropped, or damaged in any manner. Return the appliance to the authorized service facility for examination, electrical or mechanical adjustment, or repair.
20. Do not use the appliance outdoors.
21. Never place the appliance where it may fall into a bathtub or other water container.
22. Do not run cord under carpeting. Do not cover the cord with throw rugs, runners, etc. Arrange the cord away from high-traffic areas to avoid a tripping hazard.
23. Connect to properly grounded outlets only.
24. Do not insert or allow foreign objects to enter any ventilation or exhaust opening as this may cause an electric shock or fire or damage the appliance.
25. To prevent a possible fire, do not block air intakes or exhaust in any manner. Do not use it on soft surfaces, like a carpet, where openings may become blocked.
26. Always plug appliances directly into a wall outlet/receptacle. Never use an extension cord or relocatable power tap (outlet/power strip).

SAVE THESE INSTRUCTIONS

1.0 PACKING LIST

NO	Description	Quantity
1	Electric Fireplace	1 pc
2	Manual	1 pc
3	Remote Control (Battery included)	1 pc
4	Screw M5*12	8 pcs
5	Base Angle	4 pcs



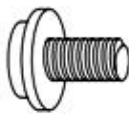
①



②



③



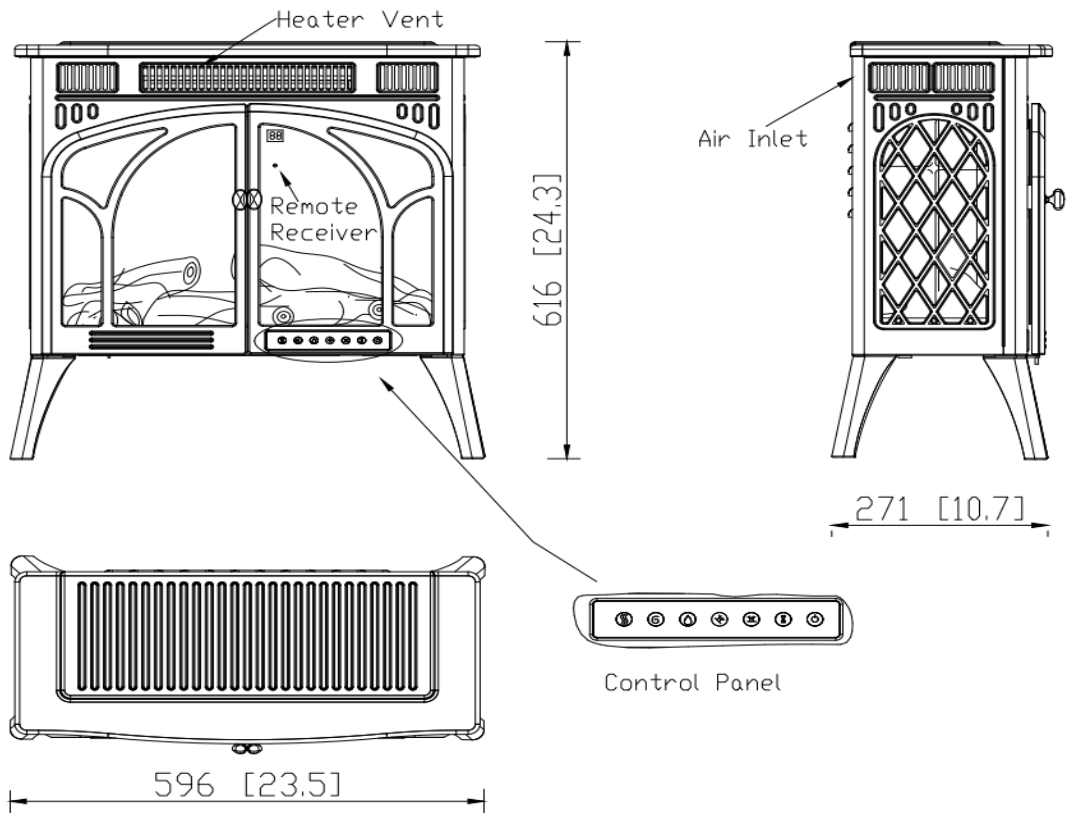
④



⑤

1.1 DIMENSIONS

Model No.	RFS-230
Item No.	S230B-BLACK/GREY
Description	Free-standing appliance; Control panel.
Voltage	120VAC
Watts	Max 1500W
Amps	12.5 AMP
BTUs	5100BTU



LISTING APPROVALS

This appliance has been tested in accordance with the ETL Standards for fixed and location-dedicated electric room appliances in the United States and Canada. If you need assistance during installation, please contact your local dealer.

NOTE: This appliance must be electrically wired and grounded in accordance with local or, in the absence of local, with National Electric Code ANSI/NFPA 70-latest edition in the United States or the Canadian Electric Code and ETL in Canada.

2.0 ELECTRICAL INSTALLATION NOTES

2.1 GENERAL INSTRUCTIONS



CAUTION - Some parts of this product can become very hot and cause burns. Particular attention has to be given where children and vulnerable people are present.

A. Prior to plugging your appliance into an electrical outlet, verify that the house circuit breakers for the outlet are on.

B. The appliance may emit a slight, harmless odor when first used. This odor is normal and caused by the initial heating of internal appliance elements, and the odor will not occur again.

C. If your appliance does not emit heat, consult the operation section of this manual for further information.

D. Use with an ETL or UL certified surge protector.



RISK OF FIRE! THE POWER CORD MUST NOT BE PINCHED AGAINST A SHARP EDGE. SECURE CORD TO AVOID TRIPPING OR SNAGGING TO REDUCE THE RISK OF FIRE, ELECTRIC SHOCK, OR PERSONAL INJURY. DO NOT RUN CORD UNDER CARPETING. DO NOT COVER THE CORD WITH THROW RUGS, RUNNERS, ETC.

ARRANGE THE CORD AWAY FROM HIGH-TRAFFIC AREAS TO AVOID A TRIPPING HAZARD.

RISK OF FIRE. TO PREVENT A POSSIBLE FIRE, DO NOT BLOCK AIR INTAKE OR EXHAUST IN ANY MANNER. ALSO, DO NOT USE IT ON SOFT SURFACES WHERE OPENINGS MAY BECOME BLOCKED.

RISK OF FIRE: DO NOT BLOW OR PLACE INSULATION AGAINST THE APPLIANCE

THIS ELECTRIC APPLIANCE IS TESTED AND LISTED FOR USE ONLY WITH THE APPROVED OPTIONAL ACCESSORIES. USE OF OPTIONAL ACCESSORIES NOT SPECIFICALLY TESTED FOR THIS ELECTRIC APPLIANCE COULD VOID THE WARRANTY AND/OR RESULT IN A SAFETY HAZARD.

IF THE INFORMATION IN THESE INSTRUCTIONS IS NOT FOLLOWED EXACTLY, A FIRE MAY RESULT CAUSING PROPERTY DAMAGE, PERSONAL INJURY, OR DEATH. DO NOT STORE OR USE GASOLINE OR OTHER FLAMMABLE VAPORS IN THE VICINITY OF THIS OR ANY OTHER APPLIANCE.

THIS APPLIANCE IS HEAVY. IT IS HIGHLY RECOMMENDED THAT TWO PEOPLE INSTALL THIS APPLIANCE.

HEATER VENTS ON THE ELECTRIC APPLIANCE CAN NOT, IN ANY WAY, BE COVERED. AS IT MAY CREATE A FIRE HAZARD.

Follow all national and local electrical codes.

1. The heaters should be installed only using the mounting brackets we provided if you want to mount them.
2. The heater must not be recessed in the ceiling. There must be enough space around the top of the heater to ensure adequate ventilation.
3. The heater should be at least 60cm/24 inches away from any surrounding walls.
4. A distance of at least 90cm/36 inches should always be left in front of the heaters to ensure safety.
5. The heater must be located neither directly below nor in front of a socket outlet.
6. The heater must be installed to prevent any control switches from being touched by anyone who is in the shower or bath.
7. Ensure that there is no possibility of inflammable material, combustible material, or curtains coming into contact with the heater. There is a risk of fire if this happens.
8. **DO NOT LEAVE THE HEATER UNATTENDED DURING USE.**

3.0 INSTALLATION INSTRUCTIONS

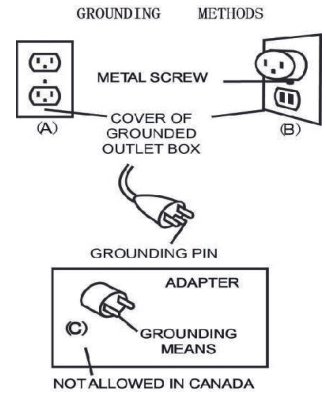
3.1 UNPACKING AND TESTING APPLIANCE WALL

Carefully remove the appliance from the box. Prior to installing the appliance, test to make sure the appliance operates properly by plugging the power supply cord into a conveniently located 120 Volt grounded outlet.

3.2 GROUNDING APPLIANCE

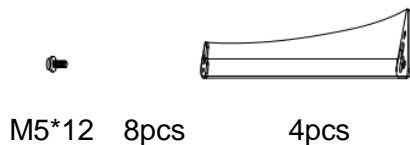
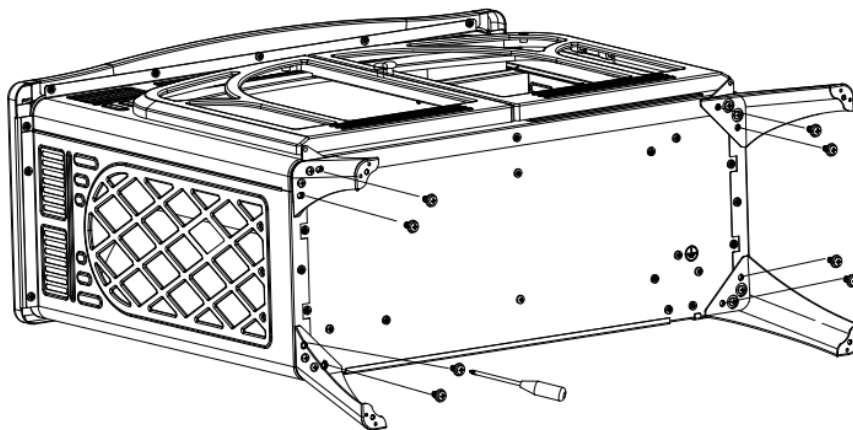
This appliance is for use on 120 Volts. The cord has a plug as shown in (A). As shown in (C), an adapter is available for connecting three-blade grounding-type plugs to two-slot receptacles. The green grounding lug extending from the adapter must be connected to a permanent ground, such as a properly grounded outlet box. The adapter should not be used if a three-slot grounded receptacle is available.

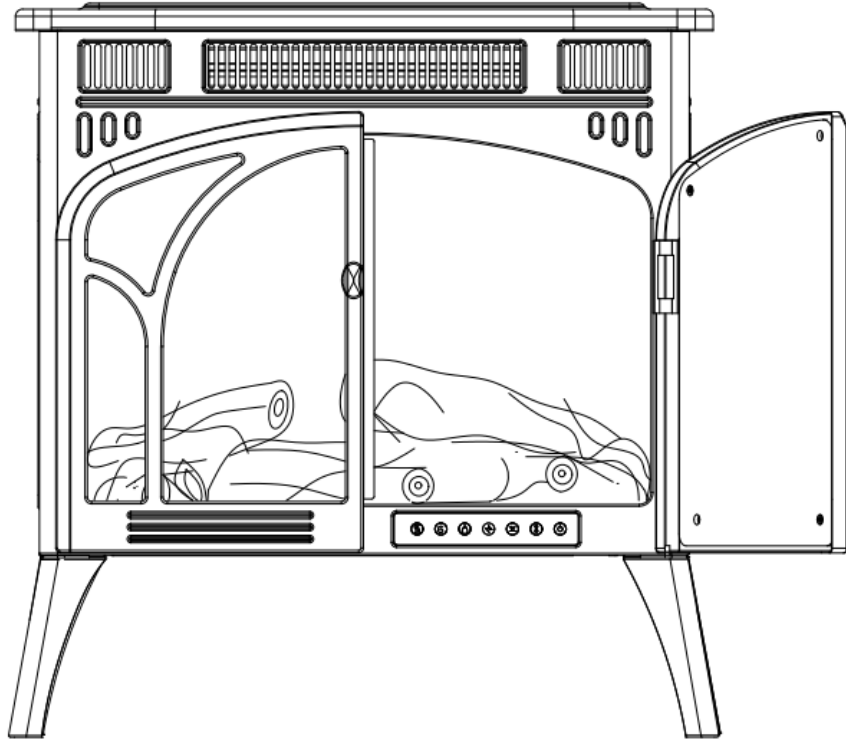
To disconnect the appliance, turn off the controls, then remove the plug from the outlet.



3.3 Assembly

Please install the base angle of the bottom of the product as shown below.

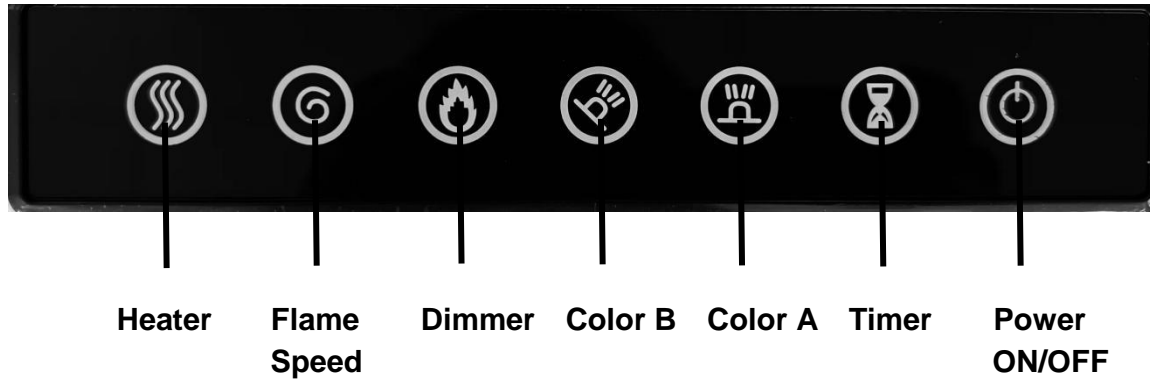




Installation Complete
(S230B-BLACK/GREY)

4.0 OPERATION INSTRUCTIONS

4.1 CONTROL PANEL










(**Note:** There is a transparent screen protector on the panel to avoid scratches. You can choose to keep or take it off according to your preferences.)

4.2 REMOTE CONTROL OPERATION

- ◆ Move the battery's transparent insulating piece away before using the remote control.



POWER		Turn the appliance ON/OFF.
DIMMER		Control the flame and flame bed brightness. 5 Settings: (L1-L2-L3-L4-L5) Flame dims from L1 to L5. L5 is the brightest setting. NOTE: Press the "DIMMER" button for 6 seconds, the appliance will go into sleep mode. All the lights off, the heating function goes on. Press for 6 seconds again, the appliance will back to normal mode.
TIMER		Control the timer. 8 Settings: (1h, 2h, 3h, 4h, 5h, 6h, 7h, 8h) Press the button until reach desired setting.
FLAME SPEED		Control the flame speed. 5 Settings: (U1-U2-U3-U4-U5) Flame speed from U1 to U5. U5 is the fastest setting.
HEATER		Control the heater. Press button to initiate the heater. (OFF) no heater or blower. (-), heater blows warm air(MAX 500W) (--), heater blows hot air(MAX 1500W) NOTE: Heater functions cycle from (OFF) (-)(--)
COLOR A		Control the flame color. 4 Settings: 1.red, 2.yellow, 3.orange, 4.blue. NOTE: Press the button for 6 seconds, the indicator will show digital "0", the flame color and brightness will be changed automatically.
COLOR B		Control the flame bed color. 4 Settings: 1.red, 2.yellow, 3.red, 4.orange. NOTE: Press the button for 6 seconds, the indicator will show digital "0", the flame color and brightness will be changed automatically.

NOTICE: When the heater is turned on for the first time, a slight odor may be present. This is normal and should not occur again unless the heater is not used for a long period of time.

NOTICE: To improve the heater's performance, aim the remote control at the front of the fireplace. **DO NOT** press the buttons too quickly. Give the unit enough time to respond to each command.

4.3 REMOTE CONTROL

- ◆ Remove the battery's transparent insulating piece away before using.



The battery must be recycled or disposed of properly. Check with your Local Authority or Retailer for recycling advice in your area.

PROBLEM	SOLUTION	
<p>The control panel functions do not work.</p>	<ol style="list-style-type: none"> 1. Make sure the Power Switch on the control panel is turned on before operation. 2. Make sure you have reconnected the data cable which was pulled out when you removed the glass frame. 3. If the problem is still not solved, please contact us via Amazon Message or call customer service number: 213-4467172 and/or 661-4358826. 	
<p>Sudden power outage during the heating process.</p>	<ol style="list-style-type: none"> 1. Don't cover the air outlet. 2. Unplug the unit, and wait for 15 minutes and try to open it again. 3. If the problem is still not solved, please contact us via Amazon Message or call customer service number: 213-4467172 and/or 661-4358826. 	
<p>The appliance does not blow hot air when it turns on and off.</p>	<p>This is normal. The fans blow cool air while the appliance gradually heats up. The fans blow after the appliance is turned off to prevent overheating.</p>	
<p>The heater doesn't turn on.</p>	<p>1. There's no power.</p>	<p>Check if the POWER indicator on the control panel is on to make sure the appliance is powered up.</p>
	<p>2. Circuit breaker has been tripped.</p>	<p>Too many appliances are on this circuit. Make sure that the electrical supply for this unit is an independent circuit.</p>
	<p>3. Heater is unplugged from wall outlet.</p>	<p>Make sure the power cord is plugged into a functioning and properly grounded 15 Amp 120V AC electrical outlet.</p>
	<p>4. Power cord or power plug is damaged.</p>	<p>Contact a qualified electrician to replace the power cord.</p>
	<p>5. Power outlet for power plug prong is loose.</p>	<p>Check the power outlet and replace it with a new one.</p>
	<p>6. Loose wiring.</p>	<p>Contact a qualified electrician to check all wiring for loose connections.</p>
<p>The heater is on, but no flame or low flame intensity.</p>	<p>1. Heater switch is on, but the flame is not on.</p>	<p>Long press the "DIMMER" button for 6 seconds, and the appliance will go into sleep mode: all the lights are off, but the heating function goes on. Long-press again (>6 sec.) to restore the appliance to the normal mode.</p>
	<p>2. Flame Adjusting knob is at a low setting.</p>	<p>Turn the knob to the maximum setting.</p>
	<p>3. Loose wiring.</p>	<p>Contact a qualified electrician to check all wiring for loose connections.</p>

Flame is frozen.	1. Flame element is not attached to the motor.	Contact us via Amazon Message or call customer service number: 213-4467172 and/or 661-4358826.
	2. Rotation motor is defective.	Contact us via Amazon Message or call customer service number: 213-4467172 and/or 661-4358826.
Excessive noise is in the lower portion of the heater.	1. Flame element isn't seated properly.	Contact us via Amazon Message or call customer service number: 213-4467172 and/or 661-4358826.
	2. Motor is defective.	Contact us via Amazon Message or call customer service number: 213-4467172 and/or 661-4358826.
The heater system doesn't come on.	1.Heater power switch is off.	Turn the heater power switch to the "ON" position.
	2.Heater system is overheated.	Maybe the heater is covered, or the air inlet/outlet is blocked. Remove the clothes or the blockage, turn off the power switch, and unplug it. Wait for 15 minutes, and then turn the heater on again.
	3. Loose wiring.	Contact a qualified electrician to check all wiring for loose connections.
	4. The air inlet or air outlet is blocked completely.	Leave adequate space around the unit. Remove the blockage close to the air outlet.
"HEAT"switch has been flipped in the on position, but there is no airflow.	1. The heater system is overheated. Temperature Limit thermostat is cut off.	Check the air inlet and outlet. Turn off the power switch and unplug it. Wait for 15 minutes, and then turn the heater on again.
	2. Fan motor is defective.	Contact us via Amazon Message or call customer service number: 213-4467172 and/or 661-4358826.
	3. Fan blower is balanced badly.	Contact us via Amazon Message or call customer service number: 213-4467172 and/or 661-4358826.
	4. The "POWER" and the "HEAT" switches are not turned on.	Turn these two switches on.
The fan runs but no heat is coming out.	1.Loose wiring.	Contact us via Amazon Message or call customer service number: 213-4467172 and/or 661-4358826.
	2.Bad heating element.	Contact us via Amazon Message or call customer service number: 213-4467172 and/or 661-4358826.

	3. Buildup of dirt on the fans.	Clean all the fans.
	4. Heater fan is defective.	Contact us via Amazon Message or call customer service number: 213-4467172 and/or 661-4358826.
The remote control does not work.	1. The battery is not properly installed.	Make sure the battery is properly installed. Move the battery's transparent insulating piece away before using.
	2. Not pointing to the right position.	Aim the remote control at the receiver.
	3. There is an obstacle in front of the machine.	Remove the obstacles. Items between the remote control and the remote-control receiver will block the signal.
	4. Press the remote-control buttons too quickly.	Don't press the remote-control buttons too quickly. Give the unit enough time to respond to your commands.
There is an odorous from the heater.	The heater may emit a slight, harmless odor when first used. This is a normal condition caused by the initial heating of the internal parts and will not occur again.	

NOTE: For most of the functional problems, you can unplug the unit, wait for 15 minutes, and plug it in again. The machine will reset to the initial status (original system state).

If the problem is still not solved, feel free to contact us via Amazon Message or call customer service number: 213-4467172 and/or 661-4358826.



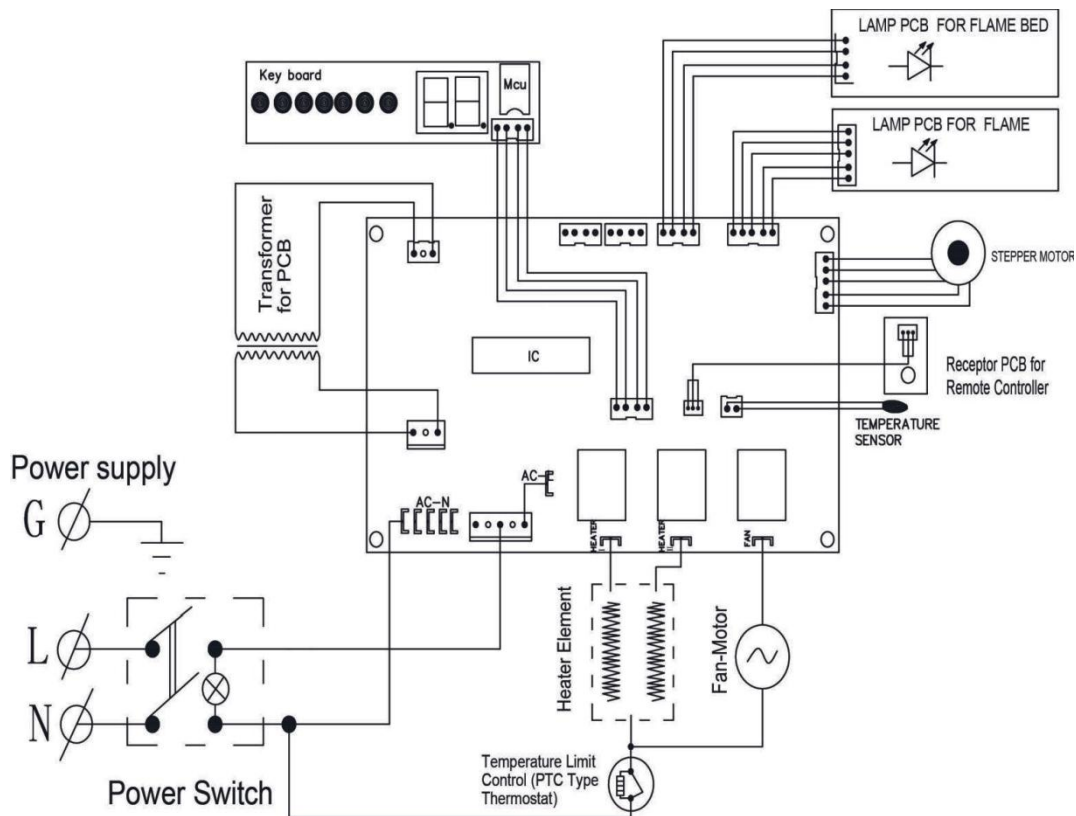
DISCONNECT POWER AND ALLOW HEATER TO COOL BEFORE ATTEMPTING ANY MAINTENANCE OR CLEANING TO REDUCE THE RISK OF FIRE, ELECTRIC SHOCK OR DAMAGE TO A PERSON.

THE FIREPLACE SHOULD NOT BE OPERATED WITH AN ACCUMULATION OF DUST OR DIRT ON OR IN THE UNIT, AS THIS CAN CAUSE A BUILD-UP OF HEAT AND SUBSEQUENT EVENTUAL DAMAGE. FOR THIS REASON, THE HEATER MUST BE INSPECTED REGULARLY, DEPENDING ON CONDITIONS AND AT LEAST AT YEARLY INTERVALS.

6.1 PARTIALLY REFLECTIVE GLASS CLEANING

The partially reflective glass is cleaned in the factory during the assembly operation. During shipment, installation, handling, etc., the partially reflective glass may collect dust particles; these can be removed by dusting lightly with a clean, dry cloth. To remove fingerprints or other marks, the partially reflective glass can be cleaned with a damp cloth. The partially reflective glass should be completely dried with a lint-free cloth to prevent water spots. To prevent scratching, do not use abrasive cleaners.

6.2 SCHEMATIC DIAGRAM



7.0 LIMITED WARRANTY

This warrants to the original purchaser that this product is free from defects in material and workmanship as of the date of purchase and that it will, under normal use and proper care, remain so for one year from the date of purchase.

Missing or initially defective parts will be replaced free of charge during the period of this limited warranty. If parts are unavailable, comparable replacement or refund will be given. The original dated sales receipt is required for all warranty claims. This warranty does not cover damage which has occurred during transport from the point of purchase to the consumer's home. This warranty does not cover glass, light bulbs, batteries, transportation, labor, or other issues not associated with the manufacture of the product.

This product is for residential use only. Any and all commercial use of this product voids all warranties, and frees the manufacturer from all liability.

Read and understand all assembly and operating instructions, and all safety information and warnings before use. The following will void this warranty: Damage caused by tampering with, modifying, or altering the fireplace insert in any manner; Damage caused by incorrect assembly, improper care, misuse, or abuse; Damage caused by wrong power source; Water damage; Damage caused by outdoor use of the insert; Damage caused by the insert being used for excessive periods of time; Damage caused by the insert being used in a commercial application; Damage from use as a primary heat source; Other misuse or abuse not specifically listed herein.

This product is not intended to be used as a primary heat source. It is for supplemental heating purposes only.

Thank you for purchasing this product! If you have any questions about the product, such as the missing parts, damaged products, product assembling, and operation, please contact us via **Amazon Message** or customer service number: **213-4467172 or 661-4358826**

IMPORTANT

Please call our customer service department for any consulting:

213-4467172

661-4358826

(8:30am - 5:30pm P.S.T.)

DATED PROOF OF PURCHASE IS REQUIRED FOR WARRANTY SERVICE.

AVIS

Veillez appeler le service à la clientèle pour toutes questions au:

213-4467172

661-4358826

(8:30am - 5:30pm P.S.T.)

PREUVE D'ACHAT ORIGINALE REQUISE POUR SERVICE DE GARANTIE.

IMPORTANTE

Sólo hay que llamar nuestro departamento de servicio al cliente en caso de tener preguntas o inquietudes:

213-4467172

661-4358826

(8:30am - 5:30pm P.S.T.)

SE REQUIERE PRUEBA DE COMPRA CON FECHA PARA SERVICIO BAJO GARANTÍA.

Add: ROWAN ELECTRIC APPLIANCE LLC 28407 Ascent Way, Santa Clarita, CA 91350
Phone: 213-4467172 or 661-4358826