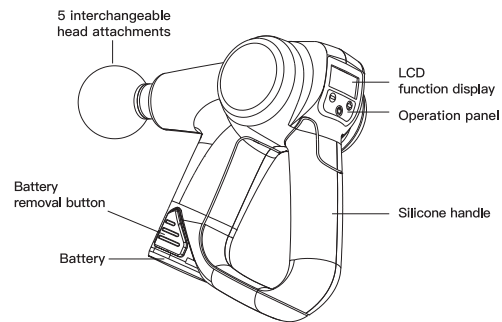


## Bian Stone far infrared warm compress physiotherapy Instruction

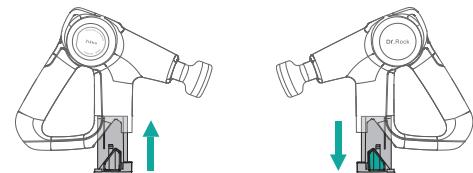
### Product introduction

Dr.Rock Air is a Bian Stone heating shock body lightweight massage gun. The Bian Stone warm head can emit far infrared and ultrasonic pulses that are beneficial to the human body. Significant results have been achieved for the relief of sciatica, periarthritis, muscle soreness, and meridian dredging throughout the body. It can be changed by different Bian Stone massage heads.

### Schematic diagram of product structure



### Installation method of battery and physiotherapy head

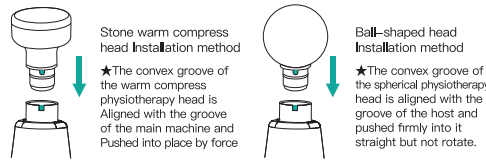


#### Battery installation method

★The convex groove of the main machine is aligned with electricity The groove of the pool is pushed into place by force.

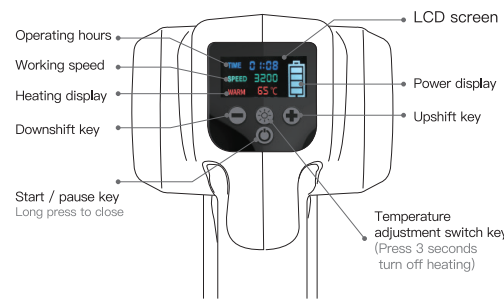
#### Battery disassembly method

★Press and hold the battery removal key. Pull out the battery with vertical force.



**Note:** 1. Bian Stone warming physiotherapy head and other physiotherapy heads have installation limits, which are inserted after alignment; 2. Please note that the battery cannot be rotated when dismounting. Press the dismounting button and insert it vertically.

### Instructions for use



- After Dr.Rock Air inserted the battery, short press the "⏻" key, the device is on warm compress;
- When the device is on, the LCD display shows the current Dr.Rock Air startup status:
  - "Battery graph" shows the current battery level;
  - "TIME 88:88" shows working time;
  - "SPEED 8888" shows the working speed;
  - "WARM 88°C/0FF" shows that the temperature is turned on (40/50/65) or closed.
- After Dr.Rock Air is started, short press the "⏻" key momentarily to pause or resume work, long press for turn off
- When Dr. Rock Air start, you can press the "⏻" key to start the warm compress function. The temperature has 3 levels, the initial low temperature is 40°C, the second comfortable temperature is 50°C, and the third gear is 65°C. The proper temperature can be adjusted reasonably according to one's own physique and preferences. Press and hold the "⏻" button to turn off the warm compress function. (Note: When using warm compress physiotherapy, it is necessary to customize the matching Bianstone physiotherapy head with the instrument);
- When Dr. Rock Air working, short press "⏻" / "⏻" key to adjust the working mode according to your own physique and preferences;
- Dr. Rock Air has intelligent work protection. When you stop use about 3 minutes and it is not in warm compress mode, it will automatically turn off, enter the sleep status. If you need to use it, you need to restart it. (Note: When the warm compress mode is on, it will not enter sleep status.)

### Characteristics and Efficacy of Physiotherapy Head

<p><b>Bian Stone flat warming head</b></p> <p>40~65°C Specialized treatment to relieve sciatica, frozen shoulder, Joint pain, muscle aches, swelling, Systemic body meridians dredge and other pain.</p>	<p><b>Bian Stone cone warming head</b></p> <p>40~65°C It is suitable for impacting deep tissues, such as meridians, joints, palms and soles.</p>
<p><b>Bian Stone ball warming head</b></p> <p>40~65°C It is suitable for massaging large muscle groups such as arms, waist, back, buttocks, thigh, calf, and etc.</p>	<p><b>Ball-shaped head</b></p> <p>It is suitable for massaging various muscle parts and other large muscle groups.</p> <p><b>U-shaped head</b></p> <p>It is suitable for massaging neck, spine and Achilles tendon.</p>

Accelerating warm-up effect  
Maintain muscle activity  
Fast decomposition of lactic acid  
Deep fatigue  
Relieve muscle tension  
Rapidly release lactic acid  
Vibration relaxation of muscle fascia  
Stretch muscle lines  
Improve muscle balance

Activating muscle before exercise state during exercise  
elimination of fatigue after exercise  
effective muscle relaxation pain and stiffness  
accelerate muscle recovery  
relaxation of muscle fatigue aid in fitness plasticity  
assist all kinds of training

## Bian Stone far infrared warm compress physiotherapy

Warm compress therapy is an important method in stone therapy. Its origin is to use baked hot stone to rest on the affected part of the disease or massage, which can relieve pain and treat the disease. This therapy is called stone warm compress. Electrothermal stone therapy is a kind of warm compress, i.e. current is used to heat the stone through a special instrument. The far infrared electromagnetic wave radiation heat energy generated by the heated stone can be conducted in channels and collaterals to achieve the purpose of treating various diseases. It is a clever combination of traditional stone therapy and modern high technology. At the same time, stone has a strange energy field, which acts on the surface of human skin to generate extremely far infrared radiation with extremely wide frequency band and far infrared frequency ranging from 7 to 20 microns. Every time stone rubs the human body, it can generate ultrasonic pulses beneficial to health. The average number of ultrasonic pulses can reach 3708, with the frequency range of 2-2 million Hz. Therefore, stone is the first of all materials.

Dr.Rock series Bian Stone far infrared warm compress physiotherapy has similar effect to that of warm compress therapy. It is a compound therapy of stone hyperthermia and massage, and has excellent curative effects of promoting blood circulation, removing blood stasis and dredging channels and collaterals. After thousands of years of practice, warm compress therapy has proved to have a wide range of health care functions. Clinical evidence shows that electrothermal stone therapy has good effects of warming channels and dredging veins, eliminating arthralgia, relieving spasm and sedation, and can be used for various pains, relieving muscle spasm, digestive system diseases, and etc. It also shows great advantages in beauty treatment, weight loss, insomnia adjustment and fatigue elimination.

### Massage impact therapy

#### Impact on skin and subcutaneous tissue

Loosening thickened connective tissue and fascia, breaking the barrier of releasing fascia contraction, removing adhesion and internal scar tissue after injury or surgery, increasing venous return and lymphatic circulation, and improving muscle extensibility. Especially when muscle spasm, stiffness and restriction occur, the reflex contraction of muscle fibers is punctured, and the range of motion is increased by relieving stiffness of joints.

#### Influence on central and sympathetic nervous system

Stimulate local muscle receptors to relieve pain and help relax, without causing pain or inflammation.

#### Influence on muscle, preserved muscle, arthralgia

The most common causes of muscle pain are trauma, overuse, tension or tension. After injury or trauma occurs, impact therapy can accelerate the healing of inflammatory regions. Similarly, when some parts of the body are overused or under tension, impact therapy can accelerate blood circulation in affected parts and reduce potential tension.

#### Exercise rehabilitation

Relaxation physiotherapy is helpful to recover the body from the pressure of strenuous exercise and to adjust and rebuild training. Rehabilitation will remove metabolic waste and better nutrient cells, normalize and enlarge tissue elasticity, treat trigger points and accelerate wound healing.

#### Recovery after operation and injury

After trauma or surgical repair, the stimulation of impact therapy can eliminate faults and avoid formation and adhesion of scar tissue during the repair process of inflammatory activity of the body.

#### Relax

Impact physiotherapy can repair the body, increase the patient's body comfort and improve the overall well-being.

## Indications and contraindications

Dr.Rock series deep penetration can relieve pain, bursitis, muscle spasm, neuralgia and other musculoskeletal diseases caused by joint sprain in a short time. Almost all soft tissue diseases are related to trauma, overuse of muscles or abnormal posture. Dr.Rock can be used to treat scar tissue involved in most of these diseases. When using Dr.Rock, excessive pressure and long-term physical therapy should be avoided. Sensitive areas such as head, face and cervical vertebra should also be avoided. Physical therapy should be stopped immediately if there is inflammation, swelling or pain aggravation. The current research is about the impact of vibration training on specific medical diseases. This is likely to reduce the types of contraindications mentioned above. Practical experience shows that in many cases, the combination of vibration training with physiotherapy program is also a physiotherapy suggestion. This must be done on the advice or accompanied by a doctor, expert or physiotherapist.

### Indication

- ✓ Pain and spasm due to muscle contusion, sprain and strain
- ✓ It can help edema fluid flow in swollen parts,
- ✓ Relax thickened connective tissue and fascia,
- ✓ Reduce lactic acid accumulation in muscles, increase joint activity,
- ✓ Eliminate muscle fatigue and
- ✓ Sciatica (Bian stone hot compress physiotherapy) and
- ✓ Scapulohumeral periarthritis (Bian stone hot compress physiotherapy)
- ✓ Periarthritis (Bian stone hot compress physiotherapy)

### Contraindications

- Aneurysm, hemorrhage, heart disease with blood thinner;
- cardiac pacemaker or defibrillator;
- Pregnancy, cancer;
- It cannot be used within 3 inches of internal fixation when joint internal fixation less than 90 days,
- Sensitive areas: head, face, cervical spine, Spinal vertebrae
- Muscles cover less locations near bones:  
Tibia, back of foot, back of hand

## Matters needing attention in physical therapy

### After injury

- The first physical therapy after injury should be based on the patient's satisfaction and comfort level
- Rom evaluation
- Determine the position and surrounding muscles according to the physical therapy plan
- Start the instrument and set it at medium and low strength.
- The applied pressure is the weight of the instrument itself

### After surgery

- The first physical therapy after operation gradually increases the time and intensity of physical therapy according to the patient's reaction and feeling.
- Determine physiotherapy site

- Ask if the patient has open wound, suture needle, drainage and internal fixation. (If yes, do not stimulate these parts)
- Start the instrument and set it at the lowest gear.
- Cover the physiotherapy area with towel.
- Apply pressure to the physiotherapy site with appropriate amount of instruments.
- Physical therapy is limited to the area around the surgical site.

### Lymphatic drainage

- Minor and systemic physical therapy is required.
- During physiotherapy, the limb moves slowly from the distal end to the proximal end, i.e. towards the direction of cardiac vein reflux

### effect

- Reduce swelling and pain
- Eliminate scar tissue after operation and injury
- Restore the elasticity and extensibility of muscles
- Trigger therapy
- Promote blood circulation and lymph reflux
- Myofascial relaxation

## Maintenance and cleaning

### Maintenance, cleaning and storage:

- Clean the equipment with a slightly wetter towel and dry it with a soft cloth.
- Before and after use, please wipe and disinfect the stone physiotherapy head with medical alcohol.
- After each use of the product, turn off the main power switch.
- When storing or travelling, remove the battery and put it in the paper box provided.

### Charging:

- The charger standard for this product must be used for charging, otherwise our company will not be responsible for any consequences arising therefrom.
- Before the first use, the battery needs to be fully charged before use
- When the battery is charging, the indicator light on the charger is red, and the indicator light is green when fully charged

### Warnings and reminders:

- Do not use this machine when charging
- Do not charge the product for a long time, such as more than 12 hours.
- Do not throw, expose or drench the product violently. Keep away from liquid or heat source and keep the vent free of ash, dust and debris
- Do not remove screws or attempt to disassemble products.
- After each use of the product, turn off the main power switch.
- For adults only. Please consult your doctor before using if you are injured.

## Safety precautions

- For adults only;
- It can only be used on dry and clean skin surface of body parts, and cannot be used through clothes. It is light. Gently press and move on the skin, each part for about 60 seconds;
- Use only on soft tissues of the body without causing pain or discomfort. Not on the head or Use on any hard, bony part of the body;
- Please use the physiotherapy head that can produce the most ideal effect.
- Both controlled depression and pressure may cause bruises. Check physical therapy area frequently. Stop use immediately if there are signs of pain or discomfort;

- Do not let fingers, hair or other parts of the body contact the shaft and back of the vibrating head to avoid being caught.
- Do not drop Dr.Rock or use it improperly.
- For the first time, please use it after full charge. Please use the standard original charger to charge Dr.Rock, do not charge for a long time, just fill it up.
- Carefully check the equipment and battery before each use.
- Please do not change or modify Dr.Rock's operation in any way.
- Never allow Dr.Rock to run or recharge in an unattended state.

## Packaging accessories

- Carrying case x1
- Manual x1
- Battery x2
- Charger x1
- UK plug x1
- Dr.Rock Air x1
- Use tutorial x1
- Quick guide x1
- CN/US plug x1
- EU plug x1
- Bian Stone flat head x1
- Bian Stone cone head x1
- Ball-shaped head x1
- U-shaped head x1

## Specifications and parameters

Model: H-MG300  
Name: Zikko Dr.Rock Air Bian stone far infrared warm compress physiotherapy  
Massage mode: hot compress, uniform speed  
Gear / speed: 900 ~ 3200 rpm  
Speed gear: up / down, 200 rpm / click to increase or decrease  
Power: ≤60W  
Bian stone heating temperature: first gear 40 °C, second gear 50 °C, third gear 65 °C (heat compress heat temperature)  
Charger input voltage: 110 ~ 240V / 50 ~ 60Hz  
Charger output voltage: DC 12V / 1A  
Battery: 12V / 2600mAh, 31.2Wh, lithium battery  
Duration: up to about 6 hours x2  
Charging time: about 150 minutes  
Size: 226\*174\*104mm Weight: 900 g Color: Gray

## Recommendations for handling abnormal situations

If the following abnormal situations occur when using this product, please refer to the solution:

Abnormal situation	Abnormal cause	Exception handling measures
The function cannot be started	The battery may be low on power.	Please charge
Automatic shutdown in use	The battery power may be insufficient	Please charge
warming physiotherapy head not hot enough after opening	Physiotherapy head warms up in two minutes	normal
warming physiotherapy head Temperature is too high	After warm mode is turned on Equilibrium temperature with human body	Turn off the warm compress mode for 3 minutes and then turn it back on for normal use
After 3 minutes of instrument pause (With warm pack off) The display goes off	Switch to smart power saving mode	Short press the start key to return to the previous working mode

Note: If there are other abnormal conditions, please contact customer service in time.

## After-sales service

### One-year warranty

The quality of the whole machine is guaranteed for one year from the date of purchase, and the accessories attached are guaranteed for six months. Due to the quality problems caused by the manufacturing defects of the products, they cannot be used normally, and our company will be responsible for free maintenance, replacement or replacement of necessary components.

- Damage caused by accidents, abuse, improper handling or transportation;
- Repair products without permission;
- The product is not maintained or used according to the instructions.
- Loss is higher than product cost;
- Delivery quality problems due to abnormal storage or protection conditions in the customer's workplace;
- Unable to provide valid purchase voucher;
- Products purchased through unofficial or authorized channels

Some states and countries do not allow restrictions on fault compensation, so the above restrictions may not be available to you. This warranty covers specific legal rights, but other rights may vary by country and state. This warranty service is provided by Zikko (Hong Kong) Digital Technology Co., Ltd. and Zikko (China) Co., Ltd. If you are a customer, please contact the physical store, distributor or retailer where you purchased the product directly to learn about the warranty and return procedures.

## Register/註冊

In order to guarantee your benefits, please register by zikko official website www.zikkotech.com within 90 days from the date of purchase, to gain more professional services and supports from Zikko. pls refer the detail customer service description on our website.

為保障購買Zikko (即刻) 用戶的權益，請用戶於購買之日起90天內在Zikko (即刻) 官網 www.zikkotech.com 進行產品註冊，以獲得Zikko (即刻) 更多專業的服務與支持！具體售後細節詳見網頁。

## Scan a QR Code

掃描獲取更多資訊



www.zikkotech.com





## Dr.Rock

### 砭石遠紅外線溫敷理療儀說明書

#### 產品簡介

Dr.Rock Air 是一款輕便型的砭石加熱震動衝擊身體按摩槍，發熱的砭石頭，能發出對人體有益的遠紅外線及超聲波脈衝，針對緩解坐骨神經痛、肩周炎、肌肉酸痛、全身經絡疏通等病症均有顯著的效果。可以變換不同形狀的砭石按摩頭。

#### 產品結構示意圖

5個可互換頭部附件

LCD數字顯示屏

操作面板

電池拆卸按鈕

電池

硅膠手柄

#### 電池、理療頭安裝方法

砭石平形溫敷理療頭

砭石錐形溫敷理療頭

砭石球形溫敷理療頭

球形理療頭

U形理療頭

**電池安裝方法** ★電池的凸槽對準主機的凹槽用力推到位

**電池拆卸方法** ★按住電池的拆卸鍵垂直用力拔出電池

**砭石溫敷理療頭安裝方法** ★溫敷理療頭的凸點對準主機的凹槽用力推到位請不要旋轉

**球形理療頭安裝方法** ★球形理療頭的凸點對準主機的凹槽用力推到位請不要旋轉

**注意：**1、砭石溫敷理療頭和其他理療頭都有安裝限位，對準後插入；  
2、電池的拆卸注意，不可旋轉，按下拆卸按鈕，直接垂直插拔即可。

#### 使用說明

工作時間

工作轉速

加熱顯示

減檔鍵

啟動/暫停鍵 (長按3秒開機)

液晶顯示屏

電量顯示

加檔鍵

溫度調節及開關鍵 (長按3秒關閉加熱)

9

- Dr.Rock Air 裝入電池後，短按「」鍵，儀器處於開機熱敷狀態；
- 儀器處於開機狀態下，液晶顯示屏顯示當前Dr.Rock Air開機狀態：
  - 「電池圖」顯示當前電池電量；
  - 「TIME 88:88」顯示工作時間；
  - 「SPEED 8888」顯示工作轉速；
  - 「WARM 88°C/DF」顯示溫敷開啟溫度檔位 (40/50/65) 或關閉。
- Dr.Rock Air 啟動後，短按「」鍵，為暫停或繼續工作，長按為開機；
- Dr.Rock Air 在啟動或暫停時，可短按「」鍵啟動溫敷功能，溫敷溫度為3檔，一檔初始低溫40°C，二檔舒適溫度50°C，三檔高溫65°C。可根據自身體格和喜好，合理調節適當溫度。長按「」鍵關閉溫敷功能，(注意：使用溫敷理療時需配合儀器定製配套的砭石理療頭)；
- Dr.Rock Air 在工作中，短按「」/「」鍵可調節按摩時的衝擊轉速快與慢，可根據您的自身體格和喜好，合理的調節儀器的工作模式；
- Dr.Rock Air 有智能工作保護。在儀器未啟動熱敷模式情況下，暫停3分鐘後未有其他任何操作時，會自動關閉工作模式和顯示屏，進入休眠狀態。如需使用時，需重新啟動(注意：在打開熱敷模式下，暫停不會進入休眠狀態)。

#### 理療頭特點及功效

<p><b>砭石平形溫敷理療頭</b></p> <p>40~65 °C 溫度 專理療緩解坐骨神經痛、肩周炎、關節疼痛、肌肉酸痛、消腫脹、全身經絡疏通等病症。</p>	<p><b>砭石錐形溫敷理療頭</b></p> <p>40~65 °C 溫度 適用於衝擊深層組織，如經絡、關節、手掌、足底。</p>
<p><b>砭石球形溫敷理療頭</b></p> <p>40~65 °C 溫度 適用於按摩手臂、腰背、臀部、大腿、小腿、等大肌肉群。</p>	<p><b>球形理療頭</b> 適用於按摩各肌肉部位、等大肌肉群。</p> <p><b>U形理療頭</b> 適用於按摩頸部與脊椎、跟腱處。</p>

運動前加熱預熱效果 → 激活肌肉  
運動中保持肌肉活性 → 維持狀態  
運動後快速分解乳酸 → 消除疲勞

深度釋放疲勞 → 有效放鬆肌肉  
緩解肌肉緊張 → 減輕酸痛僵硬  
快速釋放乳酸 → 加快肌肉恢復

震動放鬆筋筋膜 → 舒緩肌肉疲勞  
拉伸肌肉的線條 → 協助健身塑性  
改善肌肉的平衡 → 輔助各類訓練

11

### 砭石遠紅外線溫敷理療

溫敷療法為砭石療法(砭術)中的一個重要方法。起源是用烤熱的砭石擺在病患處或進行按摩，可以減輕痛苦，治療疾病，這種療法就是砭石的溫敷療法。

電熱砭石療法為溫敷療法的一種，即將電流通過特製的儀器給砭石加熱，加熱後砭石產生的遠紅外線電磁波輻射熱能在經絡中傳導，達到治療各種疾病的目的，是傳統砭石療法與現代高科技的巧妙的結合。同時，砭石有奇異的能量場，作用於人體皮膚表面可產生極遠紅外線輻射，其頻帶極寬，遠紅外線頻率可達範圍為7-20微米。砭石每摩擦人體一次就能產生有益於身體健康的超聲波脈衝，平均超聲波脈衝次數可達3708次，頻率範圍為2-200萬赫茲是所有材質之首。

Dr.Rock 系列砭石遠紅外線溫敷理療儀，它與溫敷療法的作用相似，是砭石熱敷按摩的複合療法，具有活血化癥、疏通經絡的卓越療效。溫敷療法歷經千年的實踐，證明具有廣泛的理療保健作用。經過臨床表明，電熱砭石療法有良好的溫經通脈、消除癱瘓、止痛鎮靜的效果，可用於各種疼痛、緩解肌肉痙攣、消化系統疾病等。在美容、減肥、調整失眠和消除疲勞等方面也顯示出巨大的優勢。

#### 按摩衝擊理療

**對皮膚和皮下組織的影響**  
使增厚的結締組織、筋膜鬆解下來，打破即釋放筋膜收縮的障礙，去除損傷或手術後的粘連和內部癥瘕組織，增加靜脈迴流和淋巴循環，提高肌肉的延展性，特別是使肌肉痙攣、僵硬和受限的情況下，刺激肌肉纖維的反射性收縮，通過緩解關節僵硬增加運動的範圍。

**對中央與交感神經系統的影響**  
刺激肌肉局部受體，以減輕疼痛和幫助放鬆，不會產生疼痛，不會導致發炎。

**對肌肉、肌腱、關節痛**  
最常見的導致肌肉疼痛的原因是創傷、過度使用、緊張或張力。在損傷或創傷發生後，衝擊治療可加快炎症區域的癒合速度。同樣的，當身體的某些部位過度使用或有張力時，衝擊療法可以加快受影響部位的血液循環並減輕潛在的緊張關係。

**運動康復**  
放鬆理療有助於將身體從劇烈運動的壓力中恢復，並有利於調節和重建訓練。康復會去除代謝廢物並更好的營養細胞，使組織彈性正常化和更大化，理療扳機點以及加快傷口的癒合。

**手術和損傷後的恢復**  
外傷或手術修復後，身體在炎症活性的修復過程中，衝擊療法的刺激可排除故障，避免癱瘓組織生成和粘連。

**放鬆**  
衝擊式理療可以修復身體並增加患者的身體的舒適度和提高整體幸福感。

12

### 适应症和禁忌症

Dr.Rock系列理療儀的深層穿透力可在短時間內減輕因關節扭傷產生的疼痛、消炎、肌肉痙攣、神經痛和其他骨骼肌肉疾病。幾乎所有的軟組織疾病都與外傷、肌肉的過度使用或姿勢異常有關，大多數的這些疾病涉及的癥瘕組織都可用Dr.Rock來理療。使用Dr.Rock時應避免過大的壓力和長時間的理療，應避免敏感區域，比如頭部、面部和頸椎。若有發炎、腫脹或疼痛加重時應立刻停止理療。目前正在進行的研究是關於振動訓練對特定醫學疾病的影響。這很有可能減少上述禁忌症的種類。實踐經驗表明，在許多情況下，將振動訓練結合到理療方案中也是一種理療建議。這必須在醫生、專家或理療師的建議下，或其陪同下進行。

<h4>適應症</h4> <ul style="list-style-type: none"> <li>✓ 因肌肉挫傷、扭傷、拉傷的疼痛和痙攣</li> <li>✓ 幫助腫脹部位的水腫液流動</li> <li>✓ 鬆弛增厚的結締組織和筋膜</li> <li>✓ 減少肌肉中乳酸的積累</li> <li>✓ 增加關節活動度</li> <li>✓ 消除肌肉疲勞</li> <li>✓ 坐骨神經痛 (砭石熱敷理療)</li> <li>✓ 肩周炎 (砭石熱敷理療)</li> </ul>	<h4>禁忌症</h4> <ul style="list-style-type: none"> <li>➢ 動脈瘤、出血、使用血液稀釋劑</li> <li>➢ 心臟病、有心臟起搏器或除顫器</li> <li>➢ 懷孕、癌症</li> <li>➢ 關節內固定90天以內不可在內固定3英寸範圍內使用</li> <li>➢ 敏感區域：頭部、面部、頸椎、脊柱椎體</li> <li>➢ 肌肉覆蓋較少的靠近骨骼的位置：脛骨、足背、手背</li> </ul>
---	---

#### 理療注意事項

**損傷後**

- 損傷後首次理療應根據患者的滿意度和舒適度漸進理療
- ROM評定
- 根據理療方案確定部位和周圍的肌肉
- 啟動儀器並設置在中低等強度
- 施加的壓力為儀器自身的重量即可

**手術後**

- 術後首次理療根據患者的反應和感覺逐漸增加理療的時間和治療強度
- 確定理療部位
- 詢問患者是否有開放性傷口、縫針、引流、內固定。如有，不要刺激該部位
- 啟動儀器並設置在最低檔
- 用毛巾蓋住理療部位
- 用儀器適量在理療部位施加壓力
- 理療僅限於手術部位周圍

**淋巴引流**

- 要求做到輕微的、全身性的理療
- 理療時從肢體的遠端向近端緩慢移動，即朝着心臟靜脈迴流的方向

**功效**

- 減輕腫脹、消除疼痛
- 恢復肌肉的彈性和延展性
- 促進血液循環和淋巴迴流
- 消除術後及傷後癥瘕組織
- 扳機點理療
- 肌筋膜放鬆

13

### 維護和清潔

**維護、清潔、存放：**

- 用稍微濕一點的毛巾清潔設備，然後用軟布擦乾
- 砭石理療頭在使用前後，請用醫用酒精擦拭消毒
- 產品每次使用完畢後，需關掉電源總開關
- 在長時間不使用時，拆下主機電池，放在提供的便攜收納包中

**充電：**

- 必須使用本產品標配的充電器充電，否則由此產生的一切後果我司概不負責
- 初次使用之前，電池需充滿電後使用
- 電池充電進行時，充電器上面的指示燈為紅色，充滿電時指示燈顯示為綠色

**警告和提醒：**

- 請勿將產品長時間充電，如超過12小時
- 請勿將產品暴力投擲、暴曬或水淋。遠離液體或熱源存放，保持通風口無灰塵和碎片
- 請勿拆卸螺絲或試圖拆解產品
- 產品每次使用完畢後，需關掉電源總開關
- 僅供成人使用。如有受傷，使用前請諮詢您的醫生

### 安全注意事項

1. 僅供成人使用；
2. 僅可在身體部位的乾燥、潔淨皮膚表面上使用，不可以隔着衣服使用，輕輕在皮膚上按壓、移動，每個部位大約60秒；
3. 在不產生疼痛或不適的情況下，只在身體的軟組織上使用。不可在頭部或身體任何僵硬、有骨頭的部位使用；
4. 請使用可以產生最理想效果的理療頭；
5. 無論是有節制的下壓或施加壓力，都可能產生淤青。經常檢查理療區域，一旦出現疼痛或不適的跡象應立即停止使用；
6. 勿讓手指、頭髮或身體其他部位接觸振動頭的軸和背面，避免被夾住；
7. 勿將理療儀掉落或不當使用；
8. 首次使用時，請將充滿電後使用。請使用標配的原裝充電器給理療儀充電，切勿長時間充電，充滿即可；
9. 每次使用前仔細檢查設備和電池
10. 請勿以任何方式改變或修改理療儀運作；
11. 絕不可以讓理療儀在無人看管的狀態下運行或充電。

14

### 包裝配件

- 便攜收納包x1
- 使用說明書x1
- 主機電池 x2
- 充電器 x1
- 英規插腳 x1
- Dr.Rock Air主機x1
- 使用教程手冊 x1
- 快速入門指南卡 x1
- 中規/美規插腳 x1
- 歐規插腳 x1
- 砭石平形溫敷理療頭x1
- 砭石球形溫敷理療頭x1
- 砭石錐形溫敷理療頭x1
- 球形理療頭(泡棉) x1
- U形理療頭(塑料) x1

### 規格參數

型號：H-MG300  
品名：Zikko (即刻) Dr.Rock Air 砭石遠紅外線溫敷理療儀

按摩模式：熱敷、勻速  
檔位/轉速：900 ~ 3200轉/分鐘  
轉速檔位：加/減檔，200轉/按一下增減  
功率：≤60W

砭石熱敷溫度：一檔40°C 二檔50°C 三檔65°C (熱敷發熱溫度)  
充電器輸入電壓：110 ~ 240V/50 ~ 60Hz  
充電器輸出電壓：DC 12V/1A  
電池：12V/2600mAh, 31.2Wh, 鋰電池  
續航時間最長：約6小時x2  
充電時間：約150分鐘  
尺寸：226\*174\*104mm  
重量：約900克  
顏色：灰色

### 異常情況處理建議

若在使用本產品時，出現如下異常情況，請參考解決：

異常情況	異常原因	異常處理措施
功能無法啟動	電池電量可能不足	請充電
使用中自動停機	電池電量可能不足	請充電
溫敷理療頭開啟後不發熱	理療頭預熱需要兩分鐘	正常
溫敷理療頭溫度過高	溫敷理療模式打開後沒有與人體接觸平衡溫度	關掉溫敷模式3分鐘後可重新開啟正常使用
儀器暫停3分鐘後(溫敷關閉下)主控板顯示屏全部熄滅	切入智能省電模式	短按啟動鍵即可返回上一工作模式正常使用

註：如果有其他異常狀態，請及時聯繫客服

15

### 售後服務

#### 一年質保

自購買之日起整機保質一年，所附帶的配件保修6個月。因產品製造缺陷造成的質量問題，無法正常使用，將由我司負責免費維修、換貨、或更換必要的組件。

- 由事故、濫用、處理不當或運輸造成的損壞；
- 未經允許擅自維修產品；
- 產品未根據說明書保養或使用；
- 損失高於產品成本；
- 由於客戶工作場所存放或保護條件異常造成交付出現質量問題；
- 無法提供有效的購買憑證；
- 非官方或授權渠道購買的產品

一些州和國家/地區不允許限制故障賠償，所以上述限制可能對您不可用。此保修會保障具體的法定權利，但其他權利可能因國家/地區和州而異。本保修服務由Zikko (香港) 數碼科技有限公司、即刻 (中國) 有限公司提供。如果您是客戶，請聯繫您直接購買產品的實體店、經銷商或者零售商，以了解保修和退貨的程序。

**Register/註冊**

In order to guarantee your benefits, please register by zikko official website www.zikkotech.com within 90 days from the date of purchase, to gain more professional services and supports from Zikko. (請參閱詳情請參閱說明書或我們的網站。)

為保障購買Zikko (即刻) 用戶的權益，請用戶於購買之日起90天內在Zikko (即刻) 官網 www.zikkotech.com 進行產品註冊，以獲得Zikko (即刻) 更多專業的服務與支持！具體售後細節詳見網頁。

Scan a QR Code 掃描獲取更多資訊

www.zikkotech.com

16

# Dr.Rock

## 砭石远红外线温敷理疗仪说明书

### 产品简介

Dr.Rock Air 是一款轻便型的砭石加热震动冲击身体按摩枪，发热的砭石头，能发出对人体有益的远红外线及超声波脉冲，针对缓解坐骨神经痛、肩周炎、肌肉酸痛、全身经络疏通等病症均有显著的效果。可以变换不同形状的砭石按摩头。

### 产品结构示意图

### 电池、理疗头安装方法

1

注意：1、砭石温敷理疗头和其他理疗头都有安装限位，对准后插入；  
2、电池的拆卸注意，不可旋转，按下拆卸按钮，直接垂直插拔即可。

### 使用说明

2

- Dr.Rock Air 装入电池后，短按“”键，仪器处于开机热敷状态；
- 仪器处于开机状态下，液晶显示屏显示当前Dr.Rock Air开机状态：
  - “电池图”显示当前电池电量；
  - “TIME 00 : 00”显示工作时间；
  - “SPEED 0000”显示工作转速；
  - “WARM 00 °C / OFF”显示温敷开启温度档位 (40/50/65) 或关闭。
- Dr.Rock Air 启动后，短按“”键，为暂停或继续工作，长按为关机；
- Dr.Rock Air 在启动或暂停时，可短按“”键启动温敷功能，温敷温度为3档，一档初始低温40°C，二档舒适温度50°C，三档高温65°C。可根据自身性格和喜好，合理调节适当温度。长按“”键关闭温敷功能，(注意：使用温敷理疗时需配合仪器定制配套的砭石理疗头)；
- Dr.Rock Air 在工作中，短按“”/“”键可调节按摩时的冲击转速快与慢，可根据您的自身性格和喜好，合理的调节仪器的工作模式；
- Dr.Rock Air 有智能工作保护。在仪器未启动热敷模式的情况下，暂停3分钟后未有其他任何操作时，会自动关闭工作模式和显示屏，进入休眠状态。如需使用时，需重新启动(注意：在打开热敷模式下，暂停不会进入休眠状态)。

### 理疗头特点及功效

<b>砭石平形温敷理疗头</b> 40~65 °C 温度 专理缓解坐骨神经痛、肩周炎、关节疼痛、肌肉酸痛、消肿胀、全身经络疏通等病症。	<b>砭石锥形温敷理疗头</b> 40~65 °C 温度 适用于冲击深层组织，如经络、关节、手掌、足底。
<b>砭石球形温敷理疗头</b> 40~65 °C 温度 适用于按摩手臂、腰部、臀部、大腿、小腿、等大肌肉群。	<b>球形理疗头</b> 适用于按摩各肌肉部位、等大肌肉群。 <b>U形理疗头</b> 适用于按摩颈部与颈椎、跟腱处。

运动前加快预热效果	激活肌肉	深度释放疲劳	有效放松肌肉
运动中保持肌肉活性	维持状态	缓解肌肉紧张	减轻酸痛僵硬
运动后快速分解乳酸	消除疲劳	快速释放乳酸	加快肌肉恢复

震动放松筋膜	舒缓肌肉疲劳
拉伸肌肉的线条	协助健身塑形
改善肌肉的平衡	辅助各类训练

3

### 砭石远红外线温敷理疗

温敷疗法是砭石疗法(砭术)中的一个重要方法。起源是用烤热的砭石搁在病患处或进行按摩，可以减轻痛苦，治疗疾病，这种疗法就是砭石的温敷疗法。

电热砭石疗法是温敷疗法的一种，即将电流通过特制的仪器给砭石加热，加热后砭石产生的远红外电磁波辐射热能在经络中传导，达到治疗各种疾病的目的，是传统砭石疗法与现代高科技的巧妙结合。同时，砭石有奇异的能量场，作用于人体皮肤表面可产生极远红外辐射，其频谱极宽，远红外频率可达范围为7~20微米。砭石每摩擦人体一次就能产生有益于身体健康的超声波脉冲，平均超声波脉冲次数可达3708次，频率范围为2~200万赫兹是所有材质之首。

Dr.Rock 系列砭石远红外线温敷理疗仪，它与温敷疗法的作用相似，是砭石热疗加按摩的复合疗法，具有活血化淤、疏通经络的卓越疗效。温敷疗法历经几千年的实践，证明具有广泛的理疗保健作用，经过临床表明，电热砭石疗法有良好的温经通脉、消除痹痛、止痉镇静的效果，可用于各种疼痛、缓解肌肉痉挛、消化系统疾病等。在美容、减肥、调整失眠和消除疲劳等方面也显示出巨大的优势。

### 按摩冲击理疗

#### 对皮肤和皮下组织的影响

使增厚的结缔组织、筋膜松懈下来，打破即释放筋膜的障碍，去除损伤或手术后的粘连和内部瘢痕组织，增加静脉回流和淋巴循环，提高肌肉的延展性，特别是当肌肉痉挛、僵硬和受限的情况下，刺激肌肉纤维的反射性收缩，通过缓解关节僵硬增加运动的范围。

#### 对中央与交感神经系统的影响

刺激肌肉局部受体，以减轻疼痛和帮助放松，不会产生疼痛，不会导致发汗。

#### 对肌肉、肌腱、关节痛

最常见的导致肌肉疼痛的原因是创伤、过度使用、紧张或张力。在损伤或创伤发生后，冲击治疗可加快炎症区域的愈合速度。同样的，当身体的某些部位过度使用或有张力时，冲击疗法可以加快受影响部位的血液循环并减轻潜在的紧张关系。

#### 运动康复

放松理疗有助于将身体从剧烈运动的压力中恢复，并有利于调节和重建训练。康复会去除代谢废物并更好的营养细胞，使组织弹性正常化和最大化，理疗扳机点以及加快伤口的愈合。

#### 手术和损伤后的恢复

外伤或手术修复后，身体在炎症活性的修复过程中，冲击疗法的刺激可排除故障，避免瘢痕组织生成和粘连。

#### 放松

冲击式理疗可以修复身体并增加患者的身体的舒适度和提高整体幸福感。

4

### 适应症和禁忌症

Dr.Rock系列理疗仪的深层穿透力可在短时间内减轻因关节扭伤产生的疼痛、滑囊炎、肌肉痉挛、神经痛和其他骨骼肌肉疾病。几乎所有的软组织疾病都与外伤、肌肉的过度使用或姿势异常有关，大多数的这些疾病涉及的瘢痕组织都可用Dr.Rock来理疗。使用Dr.Rock时应避免过大的压力和长时间的理疗，还应避免敏感区域，比如头部、面部和颈椎，若有发炎、肿胀或疼痛加重时应立刻停止理疗。目前正在进行的研究是关于振动训练对特定医学疾病的影响。这很有可能减少上述禁忌症的种类。实践经验表明，在许多情况下，将振动训练结合到理疗方案中也是一种理疗建议。这必须在医生、专家或理疗师的建议下，或其陪同下进行。

<b>适应症</b> <ul style="list-style-type: none"> <li>因肌肉挫伤、扭伤、拉伤的疼痛和痉挛</li> <li>帮助肿胀部位的水肿液流动</li> <li>松弛增厚的结缔组织和筋膜</li> <li>减少肌肉中乳酸的积累</li> <li>增加关节活动度</li> <li>消除肌肉疲劳</li> <li>坐骨神经痛(砭石热敷理疗)</li> <li>肩周炎(砭石热敷理疗)</li> </ul>	<b>禁忌症</b> <ul style="list-style-type: none"> <li>动脉瘤、出血、使用血液稀释剂</li> <li>心脏病、有心脏起搏器或除颤器</li> <li>怀孕、癌症</li> <li>关节内固定90天以内不可在固定3英寸范围内使用</li> <li>敏感区域：头部、面部、颈椎、脊柱椎体</li> <li>肌肉覆盖较少的靠近骨骼的位置：胫骨、足背、手背</li> </ul>
---	--

### 理疗注意事项

#### 损伤后

- 损伤后首次理疗应根据患者的满意度和舒适度渐进理疗
- ROM评定
- 根据理疗方案确定部位和周围的肌肉
- 启动仪器并设置在中低等强度
- 施加的压力为仪器自身的重量即可

#### 手术后

- 术后首次理疗根据患者的反应和感觉逐渐增加理疗的时间和理疗强度
- 确定理疗部位
- 询问患者是否有开放性伤口、缝针、引流、内固定。如有，不要刺激该部位
- 启动仪器并设置在最低档
- 用毛巾盖住理疗部位
- 用仪器适量在理疗部位施加压力
- 理疗仅限于手术部位周围

#### 淋巴引流

- 要求做到轻微的、全身性的理疗
- 理疗时从肢体的远端向近端缓慢移动，即朝着心脏静脉回流的方向

#### 功效

- 减轻肿胀、消除疼痛
- 恢复肌肉的弹性和延展性
- 促进血液循环和淋巴回流
- 消除术后及术后瘢痕组织
- 扳机点理疗
- 筋膜膜放松

5

### 维护和清洁

#### 维护、清洁、存放：

- 用稍微湿一点的毛巾清洁设备，然后用软布擦干
- 砭石理疗头在使用前后，请用医用酒精擦拭消毒
- 产品每次使用完毕后，需关掉电源总开关
- 在长时间不使用时，拆下主机电池，放在提供的便携收纳包中

#### 充电：

- 必须使用本产品标配的充电器充电，否则由此产生的一切后果我司概不负责
- 初次使用之前，电池需充满电后使用
- 电池充电进行时，充电器上面的指示灯为红色，充满电时指示灯显示为绿色

#### 警告和提醒：

- 请勿将产品长时间充电，如超过12小时
- 请勿将产品暴力投掷、暴晒或水淋。远离液体或热源存放，保持通风口无灰尘和碎片
- 请勿拆卸螺丝或试图拆解产品
- 产品每次使用完毕后，需关掉电源总开关
- 仅供成人使用。如有受伤，使用前请咨询您的医生

### 安全注意事项

- 仅供成人使用；
- 仅可在身体部位的干燥、洁净皮肤表面上使用，不可以隔着衣服使用，轻轻在皮肤上按压、移动，每个部位大约60秒；
- 在不产生疼痛或不适的情况下，只在身体的软组织上使用。不可在头部或身体任何坚硬、有骨头的部位使用；
- 请使用可以产生最理想效果的理疗头；
- 无论是无节制的下压或施加压力，都可能产生淤青。经常检查理疗区域，一旦出现疼痛或不适的迹象应立即停止使用；
- 勿让手指、头发或身体其他部位接触振动头的轴和背面，避免被夹住；
- 勿将理疗仪掉落或不当使用；
- 首次使用时，请将充满电后使用。请使用标配的原装充电器给理疗仪充电，切勿长时间充电，充满即可；
- 每次使用前仔细检查设备和电池
- 请勿以任何方式改变或修改理疗仪运作；
- 绝不可以让理疗仪在无人看管的状态下运行或充电。

6

### 包装配件

- 便携收纳包x1
- Dr.Rock Air主机x1
- 砭石平形温敷理疗头x1
- 使用说明书x1
- 使用教程手册 x1
- 砭石球形温敷理疗头x1
- 主机电池 x2
- 快速入门指南卡 x1
- 砭石锥形温敷理疗头x1
- 充电器 x1
- 中规/美规插脚 x1
- 球形理疗头(泡棉) x1
- 英规插脚 x1
- 欧规插脚 x1
- U形理疗头(塑料) x1

### 规格参数

型号：H-MG300  
品名：Zikko (即刻) Dr.Rock Air 砭石远红外线温敷理疗仪  
按摩模式：热敷、匀速  
档位/转速：900 ~ 3200转/分钟  
转速档位：加/减档，200转/按一下增减  
功率：≤60W  
砭石热敷温度：一档40°C 二档50°C 三档65°C (热敷发热温度)  
充电器输入电压：110 ~ 240V/50 ~ 60Hz  
充电器输出电压：DC 12V/1A  
电池：12V/2600mAh, 31.2Wh, 锂电池  
续航时间最长：约6小时x2  
充电时间：约150分钟  
尺寸：226\*174\*104mm  
重量：约900克  
颜色：灰色

### 异常情况处理建议

若在使用本产品时，出现如下异常情况，请参考解决：

异常情况	异常原因	异常处理措施
功能无法启动	电池电量可能不足	请充电
使用中自动停机	电池电量可能不足	请充电
温敷理疗头开启后不够热	理疗头预热需要两分钟	正常
温敷理疗头温度过高	温敷理疗模式打开后没有与人体接触平衡温度	关掉温敷模式3分钟后可重新开启正常使用
仪器暂停3分钟后(温敷关闭)主控板显示屏全部熄灭	切入智能省电模式	短按启动键即可返回上一工作模式正常工作

注：如果有其他异常状态，请及时联系客服

7

### 售后服务

#### 一年质保

自购买之日起整机质保一年，所附带的配件保修6个月。因产品制造缺陷造成的质量问题，无法正常使用，将由我司负责免费维修、换货、或更换必要的组件。

- 由事故、滥用、处理不当或运输造成的损坏；
- 未经允许擅自维修产品；
- 产品未根据说明书保养或使用；
- 损失高于产品成本；
- 由于客户工作场所存放或保护条件异常造成交付出现质量问题；
- 无法提供有效的购买凭证；
- 非官方或授权渠道购买的产品

一些州和国家/地区不允许限制故障赔偿，所以上述限制可能对您不可用。此保修会保障具体的法定权利，但其他权利可能因国家/地区和州而异。本保修服务由Zikko (香港) 数码科技有限公司、即刻(中国)有限公司提供。如果您是客户，请联系您直接购买产品的实体店、经销商或者零售商，以了解保修和退货的程序。

#### Register/注册

In order to guarantee your benefits, please register by zikko official website www.zikkotech.com within 90 days from the date of purchase, to gain more professional services and supports from Zikko. (to refer the detail customer service description on our website. 為保障購買Zikko (即刻) 用戶的權益，請用戶於購買之日起90天內在Zikko (即刻) 官網 www.zikkotech.com 進行產品註冊，以獲得Zikko (即刻) 更多專業的服務與支持！具體售後細節詳見網頁。

Scan a QR Code 掃碼獲取更多資訊  
www.zikkotech.com

8