

			()

HYPERLITE
www.hi-hyperlite.com

HYPERLITE
www.hi-hyperlite.com

A good & brand new product. Congrats!
Enjoy brighter life now.

Feel free to contact us
Email: service01@hi-hyperlite.com
Toll-free number: +1(855) 688 7879



WILL SERIES
LED LINEAR HIGH BAY LIGHT

RELIABLE SOLID BRIGHT

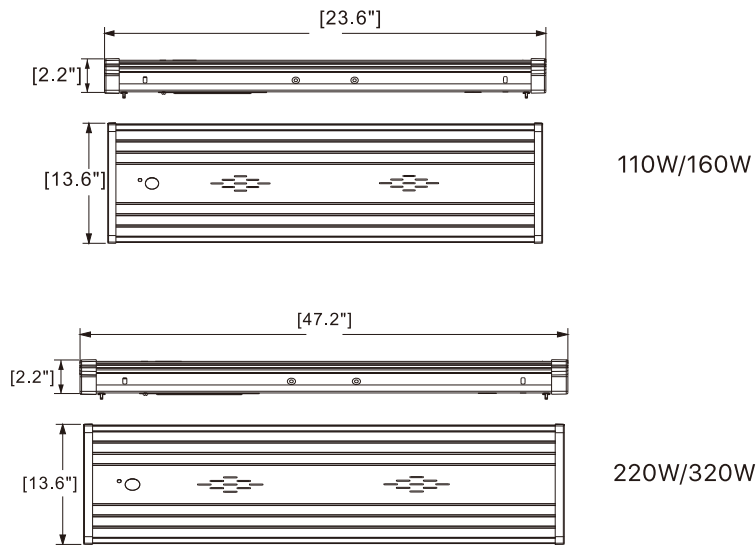
LED LINEAR HIGH BAY LIGHT

WILL Series



FEATURES & SPECIFICATIONS

Performance Data		PHB06-110[DM]-50L0	PHB06-160[DM]-50L0	PHB12-220[DM]-50L0	PHB12-320[DM]-50L0
General	Lumens	14300lm	20800lm	28600lm	41600lm
	Efficacy	130 lm/W			
	CCT	5000K			
	Beam angle	120°			
	CRI	>80			
	LED	SMD2835			
	Life span	>50,000 hours			
	Color finish	White			
Electrical	Power	110W	160W	220W	320W
	Input voltage	AC120-277V			
	Dimming	0-10V(Dimmer not included)			
	Power factor	>0.9			
	Temperature	-22°F-113°F(-30°C to 45°C)			
Physical & Listing	Mounting	Suspension Mounting & Surface Mounting			
	Listing	UL			
	Warranty	5 Years			

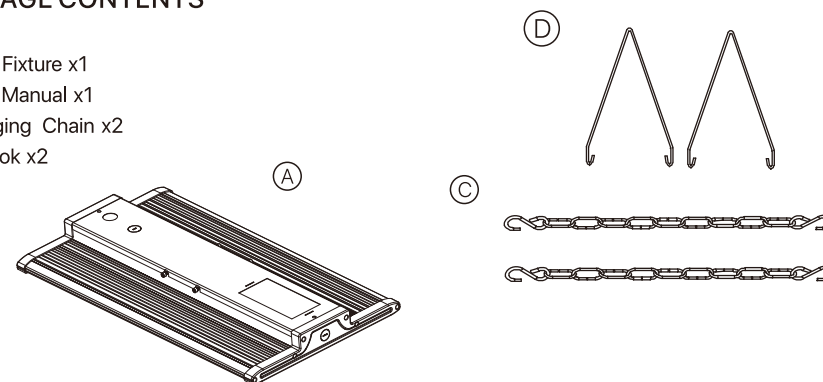


110W/160W

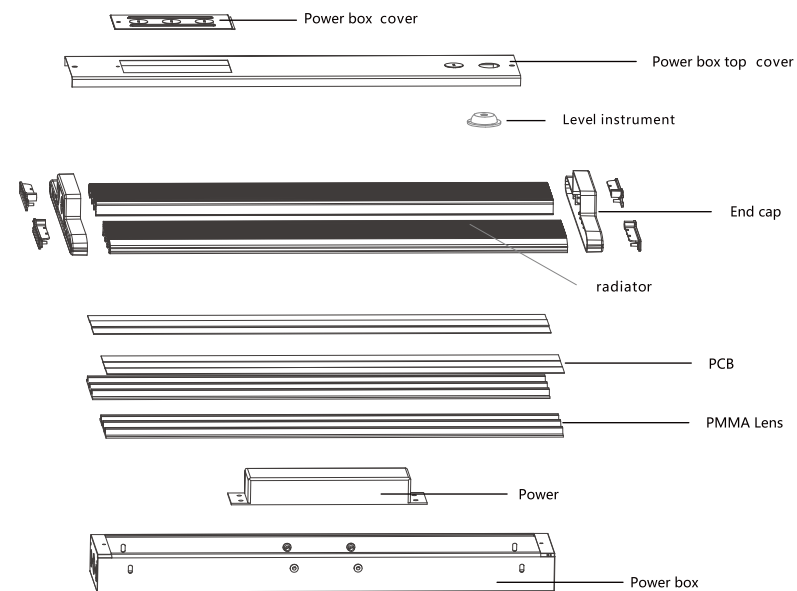
220W/320W

PACKAGE CONTENTS

- A. LED Fixture x1
- B. User Manual x1
- C. Hanging Chain x2
- D. V Hook x2



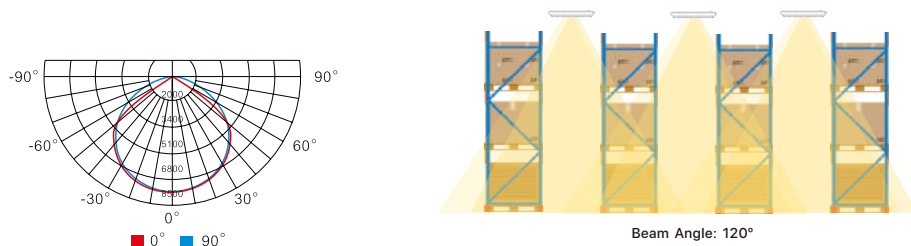
STRUCTURE



PACKAGING INFORMATION

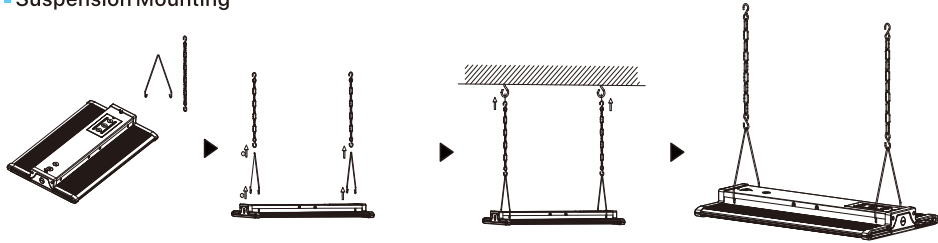
Model	Power	Qty/Ctn	Net Weight	Gross Weight	CTN Size
PHB06-220[DM]-50L0	110W	1	7.6±1 lbs	9.8±1 lbs	25.6**15.6**4.3"
		2	15.1±1 lbs	18.5±1 lbs	25.6**15.6**6.5"
PHB06-220[DM]-50L0	160W	1	8.8±1 lbs	11.0±1 lbs	25.6**15.6**4.3"
		2	17.6±1 lbs	20.9±1 lbs	25.6**15.6**6.5"
PHB12-220[DM]-50L0	220W	1	15.7±1 lbs	18.0±1 lbs	49.2**15.6**4.3"
		2	31.5±1 lbs	34.8±1 lbs	49.2**15.6**6.5"
PHB12-220[DM]-50L0	320W	1	17.0±1 lbs	19.3±1 lbs	49.2**15.6**4.3"
		2	34.1±1 lbs	37.4±1 lbs	49.2**15.6**6.5"

ILLUMINATION



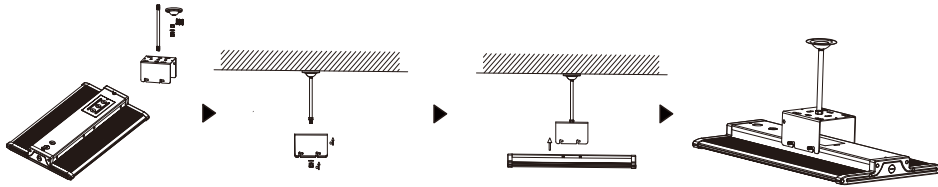
INSTALLATION

■ Suspension Mounting



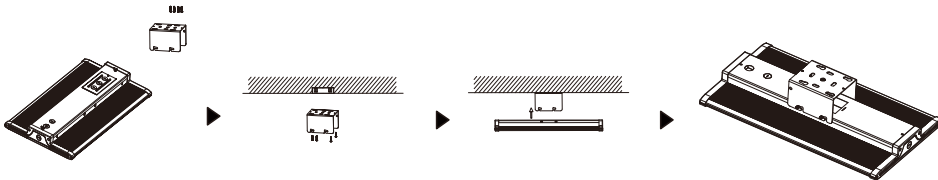
1. Take out the light and installation accessories. (V hook*2/hanging chain*2)
2. First buckle the V hook on the chain, and then let the V hook clip into the hole of the power box at the back of the light.
3. Hang the chain on the wall hook to complete the installation.

■ Piping Mounting(Accessories not included)



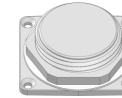
1. Take out the light and installation accessories. (Ceiling box/circular pipe/I-type bracket/gasket /spring gasket/ nut*2/screw*3) First fix the ceiling base on the wall with screws, then screw the circular pipe on the ceiling base, and then screw the nut on the circular pipe.
2. First put the I- bracket on the circular pipe, and then fixed with gasket/spring gasket and nut.
3. Stuck the light on the I-bracket to complete the installation.

■ Surface Mounting(Accessories not included)



1. Take out the light and installation accessories. (I-type bracket/Screw*4)
2. Fix the I-bracket on the power supply with 4 screws.
3. Stuck the light on the I-bracket to complete the installation.

MICROWAVE SENSOR (OPTIONAL)



Adapter

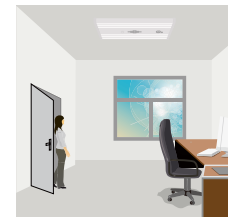
(DIP Switch)



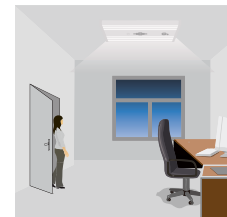
(Wireless remote control)

FEATURES

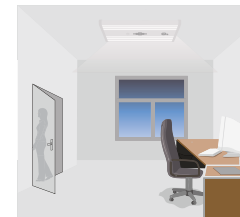
- Provides line voltage On/Off switching and 0-10V DC dimming control;
- Works with ballasts or LED drivers;
- High and low modes fully adjustable from 0 to 10V;
- Time delay from 10 seconds to 60 minutes;
- Optional cut off delay;
- Adjustable ramp up and fade down times;
- High inrush stability zero crossing circuitry for reliable, long-life operation catching relay is durable for all load;
- Remote control.



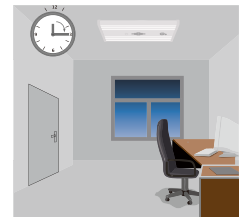
With sufficient natural light, the light does not switch on when presence is detected.



With insufficient natural light, the sensor switches on the light automatically when presence is detected.



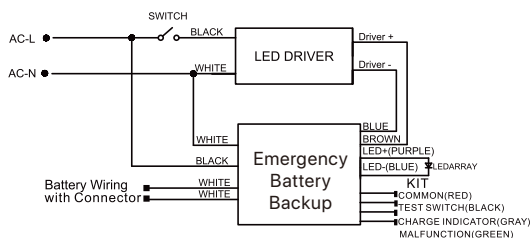
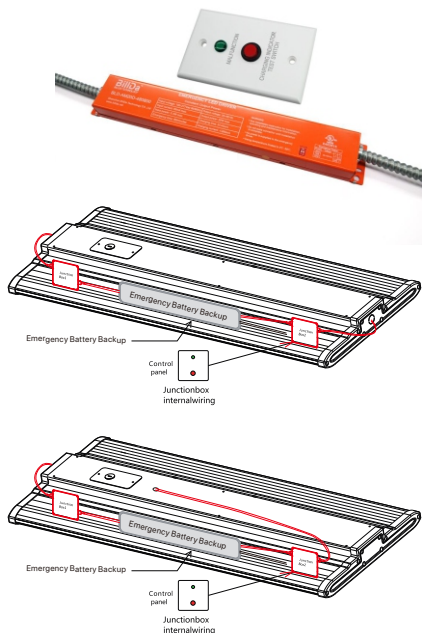
After hold-time, the light dims to stand-by level if the surrounding natural light is below the daylight threshold.



Light switches off automatically after the stand-by period elapses.

LED EMERGENCY BATTERY BACKUP (additional purchase)

- The LED Emergency Battery Backup allows the LED fixture to be used for both normal and emergency operation.
- In the event of a power failure, the LED Emergency Battery Backup switches to the emergency mode and operates the existing fixture for over 90 minutes.
- The unit contains a battery, charger and converter circuit in a single can and is available in different mounting configurations for individual fixture requirements.



UL Listed	For field or factory installation
Universal Input Voltage	100-277Vac, 50/60Hz
AC Input Current	100mA max.
AC Input Power Rating	5.5W max.
Output Current and Voltage	416-800mA 25V-48V (Class 2)
Output Power	20W max.
Illumination Time	≥90 Minutes
Full Warranty	5 Years
Test Switch/Charging Indicator Light	Low Voltage, illuminated Test Switch
Battery	High-Temperature, Ni-MH battery
Battery Charging Current	250mA
Recharge Time	≥24Hours
Temperature Rating (Ambient)	0°C to 50°C (32°F to 122°F)

HYPERLITE LED Luminaire

Industrial LED Linear High Bay Lights (WILL Series)

ATTENTION BEFORE YOU INSTALL
Read these instructions completely and carefully.

WARNING

RISK OF ELECTRIC SHOCK

- Turn power off before inspection, installation or removal.
- Properly ground electrical enclosure.
- Follow all NEC and local codes.
- Use only UL or IEC approved wire for input/output connections.

Prepare Electrical Wiring



Electrical Requirements
The LED driver must be supplied with 120-277 VAC, 50/60 Hz per product label and connected to an individual properly grounded branch circuit, protected by a 15 or 20 ampere circuit breaker.

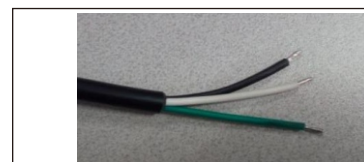


Grounding Instructions
The grounding and bonding of the overall system shall be done in accordance with National Electric Code (NEC) Article 600 and local codes.

Save These Instructions

Use only in the manner intended by the manufacturer. If you have any questions, contact the manufacturer.

Note: This equipment has been tested and found to comply with the limits for a Class A digital device, pursuant to part 15 of the FCC Rules. These limits are designed to provide reasonable protection against harmful interference when the equipment is operated in a commercial environment. This equipment generates, uses, and can radiate radio frequency energy and, if not installed and used in accordance with the instruction manual, may cause harmful interference to radio communications. Operation of this equipment in a residential area is likely to cause harmful interference in which case the user will be required to correct the interference at his own expense.



1. Please connect the input wire in correct way, white wire is N, black wire is L, green wire is ground connection. Pls also make sure the wire connection is fixed perfectly before using.

Announcements:

1. This equipment is only a professional installation. Non-professional personnel shall not remove or install the equipment.
2. Please read the instruction manual before installation and keep it for future reference.
3. To avoid damage, falling, electric shock or fire, please do not modify the lamp or replace accessories without confirming with the supplier.
4. Maintenance/installation and replacement the lights, please confirm to cut off the power supply, and the lights have set up a cooling. Please make sure the lights have been properly installed before processing power.
5. Ensure the accurate and reliable connection.
6. Ensure that the product around the vent, the light cannot violate any fire prevention regulations when using.

■ LED High Bay Light



Hero Black Series



Hero White Series



Radar Series



Saturn Series



Saturn Series



Will Series

■ LED Flood Light



Mars Series



Eyes Series

■ LED Grow Light



Groplanner O Series

■ Area Light & Canopy Garage Light



Top Series



Vega Series

■ LED Vapor Tight Light



Capsule Series

■ LED Wall Pack Light



Wall. E Series



Moon Series

■ Temporary Work Light



Hive Series

HYPERLITE
www.hi-hyperlite.com



More products...