

**HYPERLITE**  
www.hi-hyperlite.com

A good & brand new product. Congrats!  
Enjoy brighter life now.

Feel free to contact us  
Email: [info@hi-hyperlite.com](mailto:info@hi-hyperlite.com)  
Toll-free number: +1(855) 688 7879

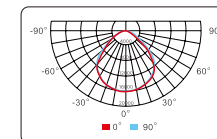


**RAY SERIES**  
LED LINEAR HIGH BAY LIGHT

RELIABLE SOLID BRIGHT

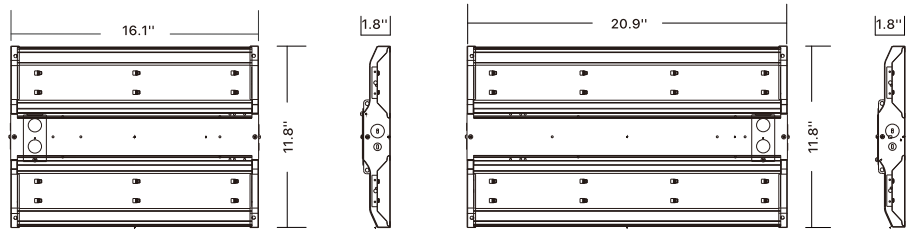
## LED LINEAR HIGH BAY LIGHT

### RAY Series



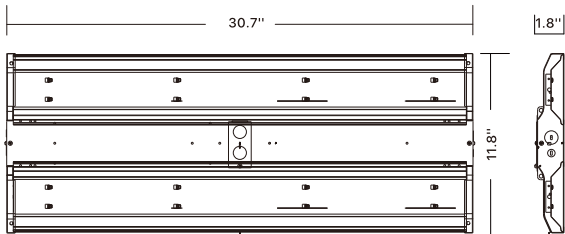
### FEATURES & SPECIFICATIONS

Performance Data		RAY-105W	RAY-155W	RAY-210W	RAY-255W	RAY-300W	RAY-400W
General	Lumens	14,175 lm	20,925 lm	28,350 lm	34,425 lm	40,500 lm	54,000 lm
	Efficacy	135lm/W					
	CCT	5000K					
	Beam angle	95°					
	CRI	80					
	LED	SMD2835					
	Life span	>100,000 Hours					
	Color finish	White					
Electrical	Power	105W	155W	210W	255W	300W	400W
	Input voltage	120-277V					
	Dimming	0-10V					
	Power factor	>0.9					
	Temperature	-20°C to 50°C / -4°F to 122°F					
Physical & Listing	Mounting	Suspension Mounting					
	Listing	UL					
	Warranty	5 Years					

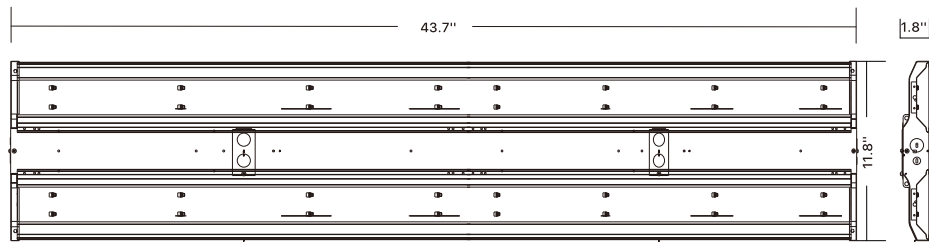


105W - 1.3FT

155W/210W - 1.7FT



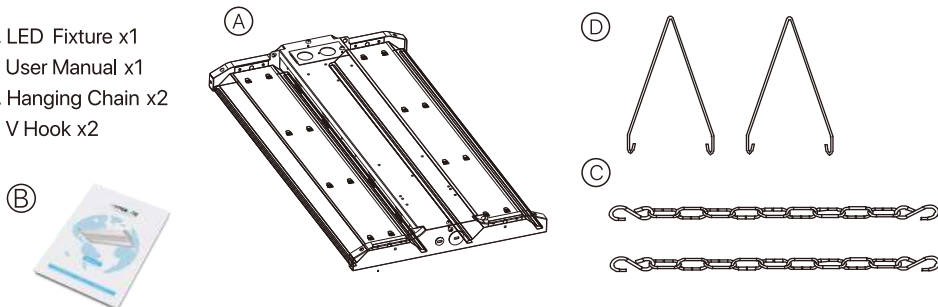
255W/300W - 2.6FT



400W - 3.6FT

PACKAGE CONTENTS

- A. LED Fixture x1
- B. User Manual x1
- C. Hanging Chain x2
- D. V Hook x2

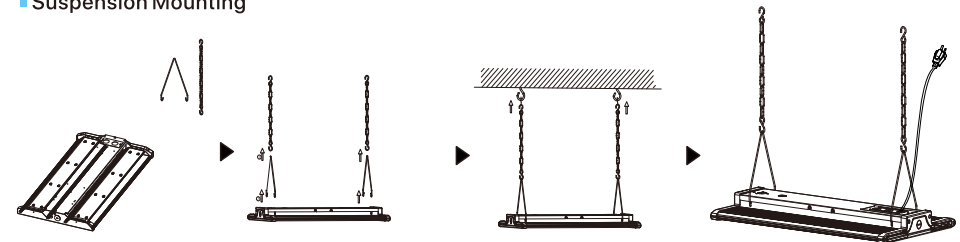


PACKAGING INFORMATION

Model	Power	Qty/Ctn	Net Weight	Gross Weight	CTN Size
RAY-105W	105W	1	5.73±1lbs	7.06±1lbs	18.2''*13.7''*4.6''
		2	10.8±1lbs	14.1±1lbs	18.7''*13.8''*6.4''
		4	24.91±1lbs	27.56±1lbs	18.7''*14.4''*17.1''
RAY-155W	155W	1	5.8±1lbs	8.0±1lbs	22.9''*13.8''*3.7''
		2	11.7±1lbs	15.0±1lbs	22.9''*13.8''*6.4''
		4	23.4±1lbs	27.8±1lbs	22.9''*13.8''*12.8''
RAY-210W	210W	1	7.85±1lbs	9.38±1lbs	22.9''*13.7''*4.6''
		2	11.7±1lbs	15.0±1lbs	22.9''*13.8''*6.4''
		4	37.04±1lbs	39.68±1lbs	23.5''*14.4''*17.1''
RAY-255W	255W	1	9.9±1lbs	12.1±1lbs	33.0''*13.8''*3.7''
		2	19.8±1lbs	23.1±1lbs	33.0''*13.8''*6.4''
		4	39.7±1lbs	44.1±1lbs	33.0''*13.8''*12.8''
RAY-300W	300W	1	11.02±1lbs	13.01±1lbs	32.8''*13.7''*4.6''
		2	19.8±1lbs	23.1±1lbs	33.0''*13.8''*6.4''
		4	39.7±1lbs	44.0±1lbs	33.0''*13.8''*12.8''
RAY-400W	400W	1	13.01±1lbs	15.21±1lbs	45.8''*13.7''*4.6''
		2	28.0±1lbs	31.3±1lbs	46.0''*13.8''*6.4''
		4	56.0±1lbs	60.4±1lbs	46.0''*13.8''*12.8''

INSTALLATION

Suspension Mounting



1. Take out the light and installation accessories. (V hook\*2/hanging chain\*2)
2. First buckle the V hook on the chain, and then let the V hook clip into the hole of the power box at the back of the light.
3. Hang the chain on the wall hook to complete the installation.
4. Plug and play, light up your space.

**Note:** This product does not include motion sensor accessory, please purchase it yourself if necessary. (The input voltage of the sensor must be 120-277V if it is lower than this range, the power supply of the product will be at risk of burning out.)

# HYPERLITE LED Luminaire

## Industrial LED Linear High Bay Lights (RAY Series)

**ATTENTION**

**BEFORE YOU INSTALL**

Read these instructions completely and carefully.

**⚠ WARNING**

---

**RISK OF ELECTRIC SHOCK**

- Turn power off before inspection, installation or removal.
- Properly ground electrical enclosure.
- Follow all NEC and local codes.
- Use only UL or IEC approved wire for input/output connections.

**Save These Instructions**

Use only in the manner intended by the manufacturer.  
If you have any questions, contact the manufacturer.

### Prepare Electrical Wiring



**Electrical Requirements**

The LED driver must be supplied with 120-277 VAC, 50/60 Hz per product label and connected to an individual properly grounded branch circuit, protected by a 15 or 20 ampere circuit breaker.



**Grounding Instructions**

The grounding and bonding of the overall system shall be done in accordance with National Electric Code (NEC) Article 600 and local codes.

Note: This equipment has been tested and found to comply with the limits for a Class A digital device, pursuant to part 15 of the FCC Rules. These limits are designed to provide reasonable protection against harmful interference when the equipment is operated in a commercial environment. This equipment generates, uses, and can radiate radio frequency energy and, if not installed and used in accordance with the instruction manual, may cause harmful interference to radio communications. Operation of this equipment in a residential area is likely to cause harmful interference in which case the user will be required to correct the interference at his own expense.



1. Please connect the input wire in correct way, white wire is N, black wire is L, green wire is ground connection. Pls also make sure the wire connection is fixed perfectly before using.

**Announcements:**

1. This equipment is only for professional installation. Non-professional personnel shall not remove or install the equipment.
2. Please read the instruction manual before installation and keep it for future reference.
3. To avoid damage, falling, electric shock or fire, please do not modify the lamp or replace accessories without confirming with the supplier.
4. Maintenance/installation and replacement the lights, please confirm to cut off the power supply, and the lights have set up a cooling. Please make sure the lights have been properly installed before processing power.
5. Ensure the accurate and reliable connection.
6. Ensure that the product around the vent, the light cannot violate any fire prevention regulations when using.

## FOOTCANDLE LIGHT GUIDE

Footcandles are the most common unit of measure used by lighting professionals to calculate light levels in businesses and outdoor spaces. A footcandle is defined the illuminance on a one square foot surface from a uniform source of light. The Illuminating Engineering Society (IES) recommends the following footcandle levels to ensure adequate illumination and safety for occupants. Below is a guideline for common areas to assist in achieving appropriate light levels with the greatest energy-efficiency.

Building Area & Task	Average Maintained Footcandles (Horizontal) (FC)	Range of Maintained Footcandles (Horizontal) (FC)	Average Maintained Footcandles (Vertical) (FC)	Range of Maintained Footcandles (Vertical) (FC)	Comments
<b>WAREHOUSING &amp; STORAGE</b>					
Bulky Items—Large Labels	10		5		
Small Items—Small Labels	30		15		
Cold Storage	30-40	10-30	10	5-15	
Open Warehouse	30-40	10-30			
Warehouse w/Aisles	30-40	10-30	10	5-15	
<b>COMMERCIAL OFFICE</b>					
Open Office	40	30-50			@30" Above Finished Floor (AFF)
Private Office	40	30-50			@30" AFF
Conference Room	30				Matte surface reflectance for the table 40% recommended
Restroom	18	75-30			
Lunch & Break Room	15	5-20			
<b>EDUCATIONAL (SCHOOLS)</b>					
Classroom	40	30-50			@30" AFF
<b>Gymnasium</b>					
Class I (Pro or Div. 1 College)	125		30		
Class II (Div. 2 or 3 College)	80		20		
Class III (High School)	50		150		
Class IV (Elementary)	30		100		
Auditorium	75	3-10	5	2.5-10	
Corridor	25	10-40			

This guide is a collaborative effort of Energy Trust of Oregon and the Lighting Design Lab, Seattle, Washington.

Building Area & Task	Average Maintained Footcandles (Horizontal) (FC)	Range of Maintained Footcandles (Horizontal) (FC)	Average Maintained Footcandles (Vertical) (FC)	Range of Maintained Footcandles (Vertical) (FC)	Comments
<b>INDUSTRIAL/MANUFACTURING</b>					
<b>Assembly</b>					
Simple (Large Item)	30		15	15-60	
Difficult (fine)	100	10-30	10	50-200	
<b>Component Manufacturing</b>					
Large	30	10-30	30	15-60	
Medium	70-80	25-100	50	25-100	
<b>EXTERIOR</b>					
Parking (Covered)	5				1FC min, 10:1 Max to Min Uniformity
<b>Parking (Open) (Medium Activity)</b>					
Lighting Zone 3 (Urban)	1.5	75-3	0.8	0.4-1.6	
Lighting Zone 2 (suburban)	1	0.5-2	0.6	0.3-1.2	
Gas Station Canopy	12.5	10-15			
Safety (Building Exterior)	1	0.5-2			If security is an issue—raise average level to 3
<b>RETAIL</b>					
General Retail (Ambient)		50			
Department Store	40	20-80	15	7.5-30	
Perimeter			75	35-150	
Accent Lighting (Displays)					3-10 times greater than ambient light levels
<b>AUTOMOTIVE</b>					
Showroom	70-80	25-100	10	7.5-30	
Service Area	50	25-10	30	15-30	
<b>Sales Lot (Exterior)</b>					
Lighting Zone 3 (Urban)	20	10-40	20	10-40	
Lighting Zone 2 (Suburban)	15	7.5-30	15	7.5-30	
<b>GROCERY</b>					
Circulation	20	10-40	7.5	3.5-15	
General Retail	70-80	25-100	20	10-40	
Perimeter			50	25-100	
<b>BANKING</b>					
ATM	20	10-40	15		Vertical at face of ATM

**NOTES:**  
 • This guide is based on information gathered from the IES 'The Lighting Handbook' 10th Edition. It is highly recommended that all lighting professionals refer to the full IES guide when specifying lighting projects.  
 • At least half of users are in the 25 - 65 age range.

- Horizontal—horizontal plane that average maintained foot-candles are measured.
- Vertical—vertical plane the average maintained foot-candles are measured.
- It is the responsibility of the user to determine and provide appropriate lighting levels for each space.

### WARRANTY CARD

If you need any help or have any questions, please contact us.

Order Number: \_\_\_\_\_ Light Model: \_\_\_\_\_

Name: \_\_\_\_\_ Email: \_\_\_\_\_

Problem: \_\_\_\_\_ Date Of Manufacture: \_\_\_\_\_

**Note:**  
 All returns must happen within 30 days of the receipt of that product or Hyperlite has the right to refuse the return.

- Guidelines for items conditional return :**
- Item must be in original packaging.
  - Item must not have been installed or used.
  - Packaging material (i.e. wrapping, clam shells) must not have been destroyed or broken.

**REMEDY:**  
 Please note that products with different warranty periods provide different warranty services and the warranty time of all products is subject to Amazon listing.

1. If the malfunction or damage of the products is caused by transportation, the buyer needs to contact us and provide evidence (video & pictures) within 15 days from the date of receiving. Providing the buyer fails to do so or no longer replies us in 15 days after contact, the buyer will be responsible for any loss.
2. If there are any quality problems over 30 days from the date of receipt, please contact HYPERLITE for warranty with photos or videos of showing product problems and HYPERLITE will provide maintenance services. The buyer shall bear the relevant expenses, and the specific expenses shall be subject to the seller's instructions.

**DISCLAIMER:**  
 Please pay attention to the working temperature of light fixture. If the temperature that exceeds the usage limit of light fixture due to natural or man-made reasons causes the damage of light fixture, the warranty policy won't cover the lost.

**TERMS AND CONDITIONS:**  
 This Limited Warranty is VOID in these situations: If purchaser or the user fails to comply with recommendations of Hyperlite; If any components are replaced with component of other manufacturers; If the product is operated outside the specified electrical values or is subject to abnormal use or stress, including under/over voltage conditions, excessive switching cycles, and operation in environmental conditions (e.g., ambient temperature) outside normal specified operating range.

■ LED High Bay Light



Hero Black Series



Hero White Series



Radar Series



Saturn Series



Saturn Series



Will Series

■ LED Wall Pack Light



Space Series



Oval Series



Wall. E Series

■ LED Area Light



Top Series

■ LED Canopy Light



Vega Series

■ LED Flood Light



Mars Series

■ LED Grow Light



Groplanner O Series

■ Vapor Tight Light



Capsule Series

■ Temporary Work Light



Hive Series

More products...

**HYPERLITE**  
www.hi-hyperlite.com

