

# TP500

## Spider Post Top Light

35W / 50W / 100W / 150W / 200W / 300W



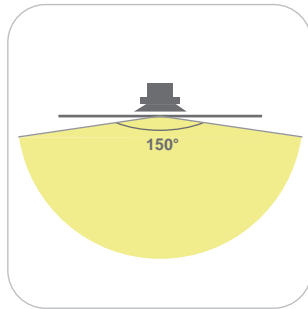
### Specifications

| Wattage                         | 35W  | 50W     | 100W    | 150W    | 200W    | 300W    |
|---------------------------------|--|---------|---------|---------|---------|---------|
| Installation height (Suggested) | 10'-15'  | 15'-20' | 25'-30' | 30'-35' | 35'-40' | 40'-45' |
| LED Chips                       | SMD 3030, Philips or other LED chip                        |         |         |         |         |         |
| Driver Brand                    | Meanwell / SOSEN, or other LED driver                      |         |         |         |         |         |
| Material                        | Aluminum alloy+PC lens                                     |         |         |         |         |         |
| Color Temp                      | 3000K / 4000K / 5000K / 6000K                              |         |         |         |         |         |
| Lumen                           | 4550LM / 6500LM / 13000LM / 19500LM / 26000LM / 39000LM    |         |         |         |         |         |
| AC Input Voltage                | 100-277V / 120-347V / 180-480V                             |         |         |         |         |         |
| Light Distribution              | Type V (120°) / Type V (150°) / Type III (90*140°)         |         |         |         |         |         |
| Mounting Methods                | Mount Tenon: 2 3/8" or 3" Round Tenon (Adapters available) |         |         |         |         |         |
| Thermal Management              | Superior thermal management with external Air-Flow fins    |         |         |         |         |         |
| Ambient Temperature             | -40°C to +45°C(-40°F to +113°F)                            |         |         |         |         |         |
| Total Harmonic Distortion (THD) | < 15%  |         |         |         |         |         |
| Housing                         | Bronze or Black Finish                                     |         |         |         |         |         |
| Lifetime                        | 50,000H  |         |         |         |         |         |
| IP Rating                       | IP65   |         |         |         |         |         |
| Warranty                        | 5 years  |         |         |         |         |         |

# Features

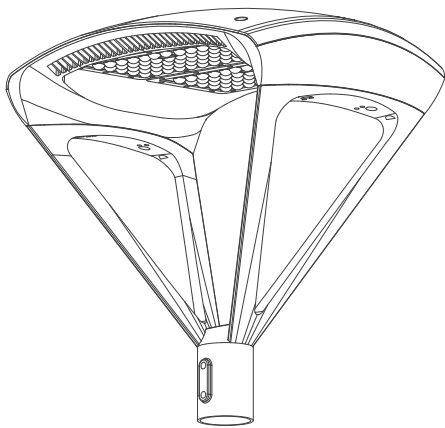


ADC12 Die casting

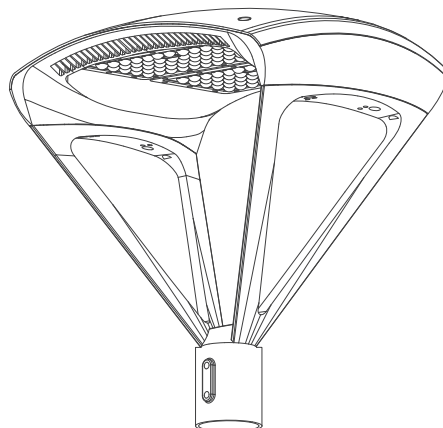


Beam angle 150°

## Two Mount for optional

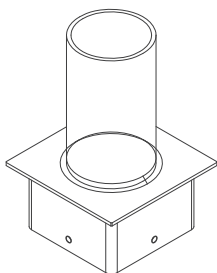


2 3/8" (60mm round pole)

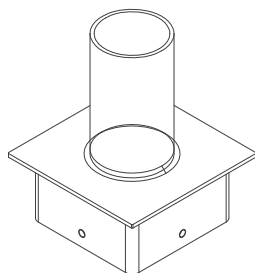


3" (76mm round pole)

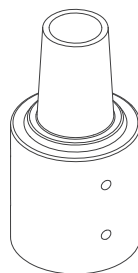
## Adapters (suitable for 2 3/8" mount )



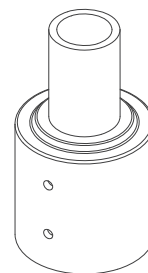
4" SQ



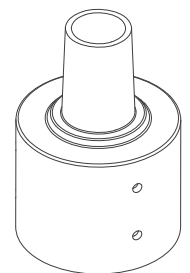
5" SQ



3" RD



4" RD

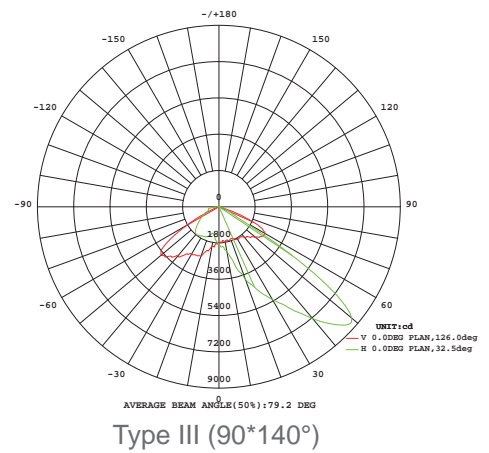
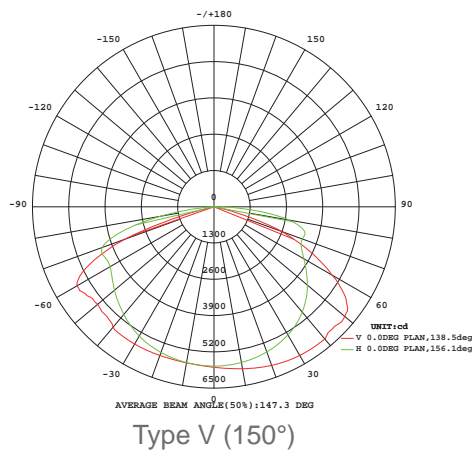
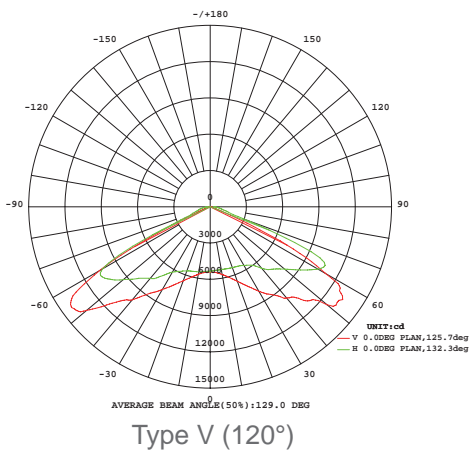


5" RD

## CCT & Power Select



## Light Distribution



## Applications



Parking Lot



Square

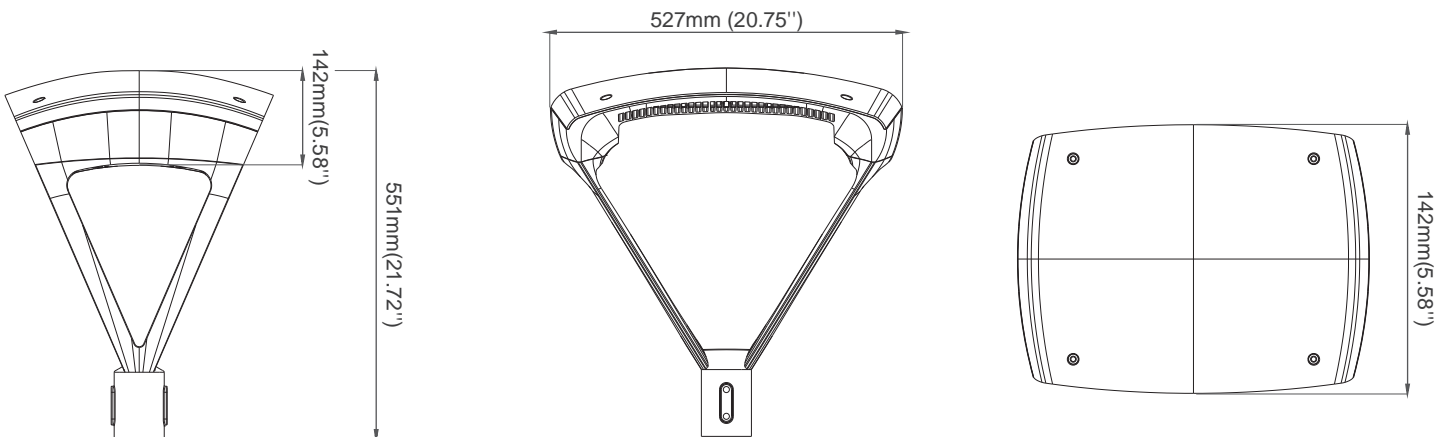


Library

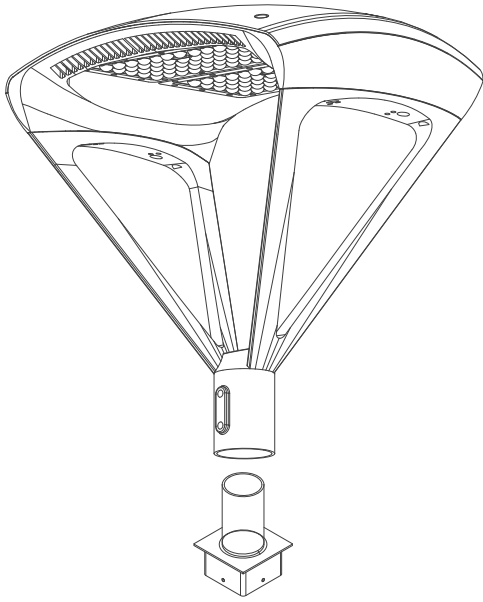


Roadway

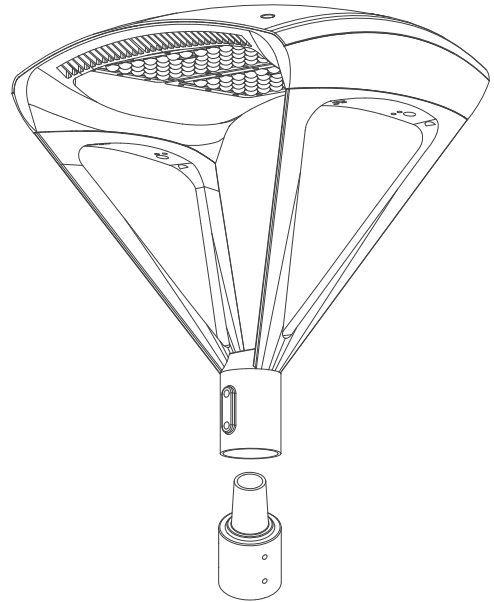
## Dimension



# Installation

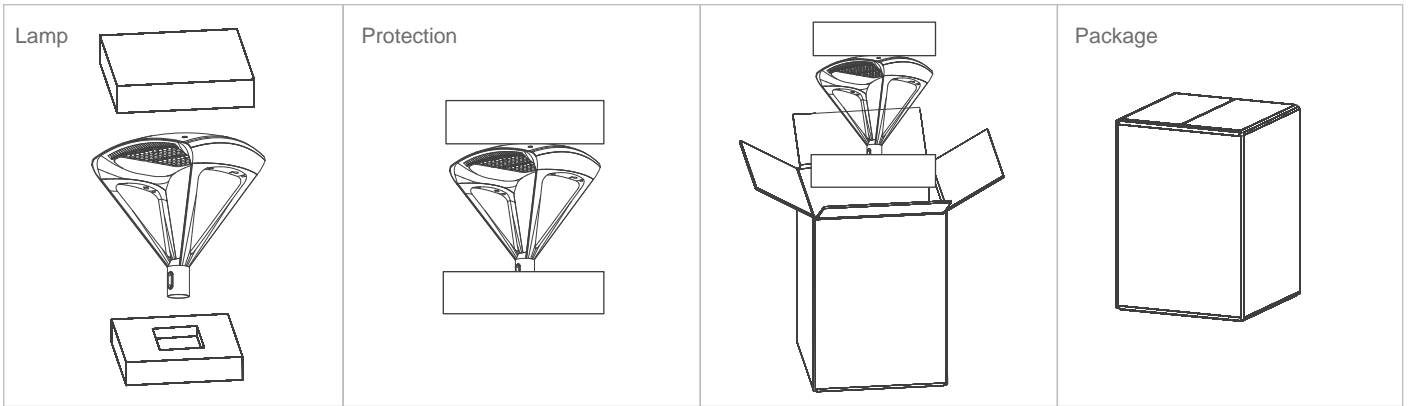


Square pole



Round pole

# Packaging information



| Wattage | Product Dimension (mm/in)                     | Carton Box Dimension                          | N.W (Kg/lb)     | G.W (Kg/lb)     | QTY / CTN |
|---------|---|---|-----------------|-----------------|-----------|
| 35W     | 552 x 527 x 402mm<br>21.72 x 20.75 x 15.84 in | 630 x 610 x 510mm<br>24.80 x 24.02 x 20.08 in | 11.0Kg(24.25lb) | 12.2kg(26.80lb) | 1 PCS     |
| 50W     | 552 x 527 x 402mm<br>21.72 x 20.75 x 15.84 in | 630 x 610 x 510mm<br>24.80 x 24.02 x 20.08 in | 11.0Kg(24.25lb) | 12.2kg(26.80lb) | 1 PCS     |
| 100W    | 552 x 527 x 402mm<br>21.72 x 20.75 x 15.84 in | 630 x 610 x 510mm<br>24.80 x 24.02 x 20.08 in | 11.7Kg(25.79lb) | 12.9kg(28.50lb) | 1 PCS     |
| 150W    | 552 x 527 x 402mm<br>21.72 x 20.75 x 15.84 in | 630 x 610 x 510mm<br>24.80 x 24.02 x 20.08 in | 12.2Kg(26.90lb) | 13.4kg(29.50lb) | 1 PCS     |
| 200W    | 552 x 527 x 402mm<br>21.72 x 20.75 x 15.84 in | 630 x 610 x 510mm<br>24.80 x 24.02 x 20.08 in | 13.2KG(29.10lb) | 14.4kg(31.80lb) | 1 PCS     |
| 300W    | 552 x 527 x 402mm<br>21.72 x 20.75 x 15.84 in | 630 x 610 x 510mm<br>24.80 x 24.02 x 20.08 in | 13.2KG(10.58lb) | 14.8kg(32.60lb) | 1 PCS     |

