

WPC Wallpack Light Installation Instruction

Please read this manual carefully before using the product

Upon receipt of fixture, thoroughly inspect for any freight damage. All damage should be reported to the delivery carrier. Compare the catalog description listed on the packing slip with the fixture label on the inside of the housing to be sure you have received the correct merchandise.

READ AND FOLLOW THESE SAFETY INSTRUCTIONS!

- To reduce the risk of death, personal injury or property damage from fire, electric shock, falling parts, cuts/abrasions, and other hazards please read all warnings and instructions included with and on the fixture box and all fixture labels.
- Before installing, servicing, or performing routine maintenance on this equipment, follow these general precautions.
- Commercial installation, service and maintenance of luminaires should be performed by a qualified licensed electrician.
- For Residential installation: If you are unsure about the installation or maintenance of the luminaires, consult a qualified licensed electrician and check your local electrical code.
- Maintenance of the luminaires should be performed by person(s) familiar with the luminaires' construction and operation and any hazards involved. Regular fixture maintenance programs are recommended.
- This fixture is intended to be connected to a properly installed and grounded UL listed junction box.
- It will occasionally be necessary to clean the outside of the refractor/lens. Refractor/lens should be washed in a solution of warm water and any mild, non-abrasive household detergent, rinsed with clean water and wiped dry. Should optical assembly become dirty on the inside, wipe refractor/lens and clean in above manner, replacing damaged gaskets as necessary.
- DO NOT INSTALL DAMAGED PRODUCT! This luminaire has been properly packed so that no parts should have been damaged during transit. Inspect to confirm.
- Any part damaged or broken during or after assembly should be replaced.
- These instructions do not purport to cover all details or variations in equipment nor to provide every possible contingency to meet in connection with installation, operation, or maintenance. Should further information be desired or should particular problems arise which are not covered sufficiently for the purchaser's or owner's purposes, this matter should be referred to manufacturer.

WARNING RISK OF ELECTRIC SHOCK

- ▶ Disconnect or turn off power before installation or servicing.
- ▶ Verify that supply voltage is correct by comparing it with the luminaire label information.
- ▶ Make all electrical and grounded connections in accordance with the National Electrical Code (NEC) and any applicable local code requirements.
- ▶ All wiring connections should be capped with UL approved wire connectors.

WARNING RISK OF BURN

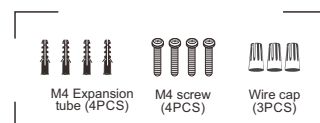
- ▶ Allow lamp/fixture to cool before handling. Do not touch enclosure, lens or light source.
- ▶ Do not exceed maximum wattage marked on luminaire label.
- ▶ Follow all manufacturer's warnings, recommendations and restrictions including but not limited to: driver type, mounting locations/methods, replacement and recycling.
- ▶ Use only lamps that comply with ANSI standards.

CAUTION RISK OF PRODUCT DAMAGE

- ▶ Never connect components under load.
- ▶ Do not mount or support these fixtures in a manner that can cut the outer jacket or damaged wire insulation.
- ▶ Unless individual product specifications deem otherwise: Never connect an LED product directly to dimmer packs, occupancy sensors, timing devices, or other control devices. LED fixtures must be powered directly off a switched circuit.
- ▶ Unless individual product specifications deem otherwise: Do not restrict fixture ventilation. Allow for some volume of airspace around the fixture. Avoid covering LED fixtures with insulation, foam, or other material that will prevent convection or cooling.
- ▶ Unless individual product specifications deem otherwise: Do not exceed fixtures' maximum ambient temperature.
- ▶ Only use the fixture in its intended location.
- ▶ LED products are polarity sensitive. Ensure proper polarity before installation.
- ▶ Electrostatic Discharge (ESD): ESD can damage LED fixtures. Personal grounding equipment must be worn during all installation or servicing of the unit.
- ▶ Do not touch individual electrical components as this can cause ESD, shorten lamp life, or alter performance.
- ▶ Some components inside the fixture may not be serviceable. If your unit may require service, stop using the unit immediately and contact an manufacturer for assistance.
- ▶ Changes or modifications not expressly approved by manufacturer will void the product warranty.
- ▶ Always read the fixtures' complete installation instructions prior to installation for any additional fixture-specific warnings.

Parts List

1. Wallpack light.
2. Installation Instruction.
3. Installation hardware.



CAUTION RISK OF INJURY

- ▶ Wear gloves and safety glasses at all times when removing luminaire from carton, installing, servicing or performing maintenance.
- ▶ Avoid direct eye exposure to the light source while it is on.

CAUTION RISK OF FIRE

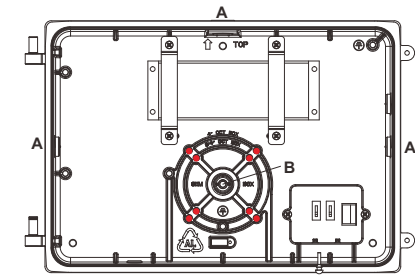
- ▶ Keep combustible and other materials that can burn, away from lamp/lens.
- ▶ Do not operate in close proximity to persons, combustible materials, or substances affected by heat.

WPC Wallpack Light Installation Instruction

Please read this manual carefully before using the product

» Junction box Mounting

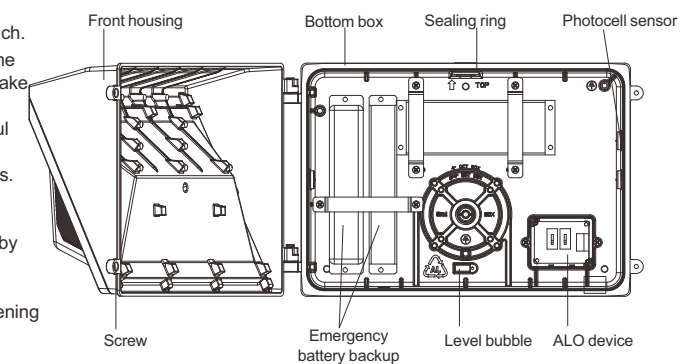
1. Loosen the 2 captive screws in the front housing, using the 1/8" Allen wrench.
2. Remove the front case set carefully from the back plate. (Angle between the front case and back plate varies from 0 degree to 45 degrees Push up to take down the front case.)
3. Remove 1/2" plug-in center (B) for wiring, the fixture supports standard 3 1/4" and 4" Junction boxes. Be careful not to touch the LEDs or damage the internal components in any way.
4. Install the back housing directly to the wall (recommended) using the wall anchor holes and appropriate screws. When installing a junction box, make sure it is rated for the weight of the luminaire.
5. Use the supplied gaskets for a weather-tight seal.
6. Finish wiring (Black for Line, White for Neutral, and Green for Ground).
7. If provided with an ALO device, adjust the dial to the required lumen level, by using a small flat head screwdriver.
8. Replace the front cover. Make sure the hinges are engaged properly.
9. Tighten the 2 captive screws (30-35in lbs). Do not over-tighten. Over-tightening will cause stripping and void all warranties.



A - 1/2" NPS tapped holes (surface conduit or photocell)
B - 1/2"NPS tapped holes
• - Screw hole

» Conduit Mounting

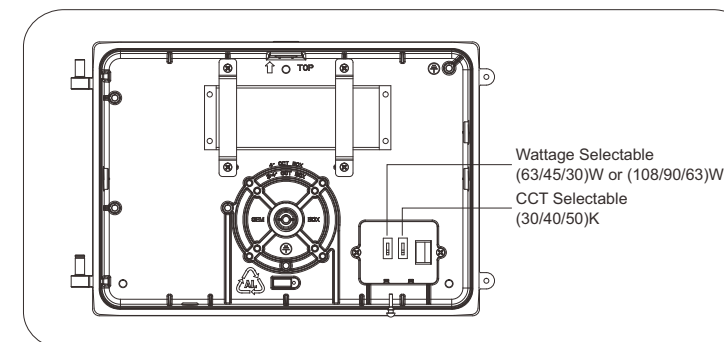
1. Loosen the 2 captive screws in the front housing, using the 1/8" Allen wrench.
2. Remove the front case set carefully from the back plate. (Angle between the front case and back plate varies from 0 degree to 45 degrees Push up to take down the front case.)
3. Remove the 1/2" plug from where you intend to feed the conduit. Be careful not to touch the LEDs or damage the internal components in any way.
4. Drill out the holes (C) to secure it on the wall by choosing the proper screws.
5. Use the supplied gaskets for a weather-tight seal.
6. Finish wiring (Black for Line, White for Neutral, and Green for Ground).
7. If provided with an ALO device, adjust the dial to the required lumen level, by using a small flat head screwdriver.
8. Replace the front cover. Make sure the hinges are engaged properly.
9. Tighten the 2 captive screws (30-35in lbs). Do not over-tighten. Over-tightening will cause stripping and void all warranties.



TROUBLESHOOTING

1. Check that the line voltage at the fixture is correct. Refer to wiring directions.
2. Is the fixture grounded properly.
3. Be sure the photocell, if used, is functioning properly.

» Wattage & CCT Selectable



» Wiring diagram

